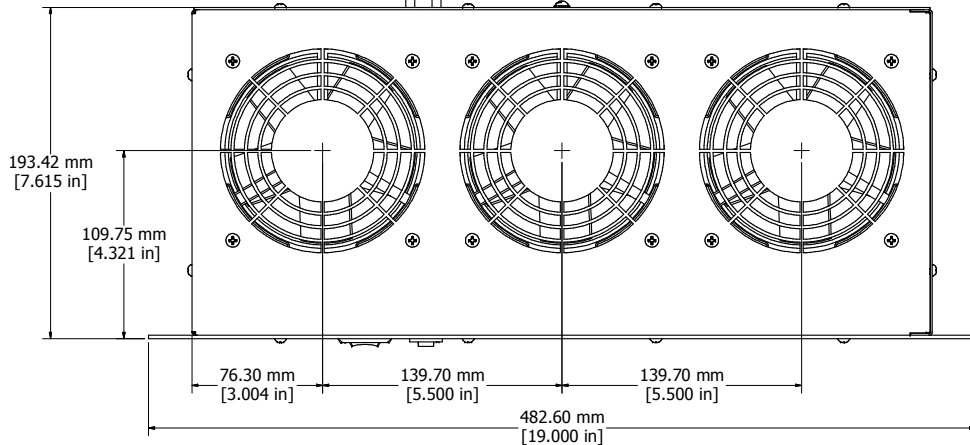


ASSEMBLY - VIEW FROM BACK

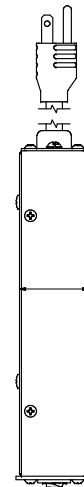
125V POWER CORD
(NEMA 5-15P PLUG)



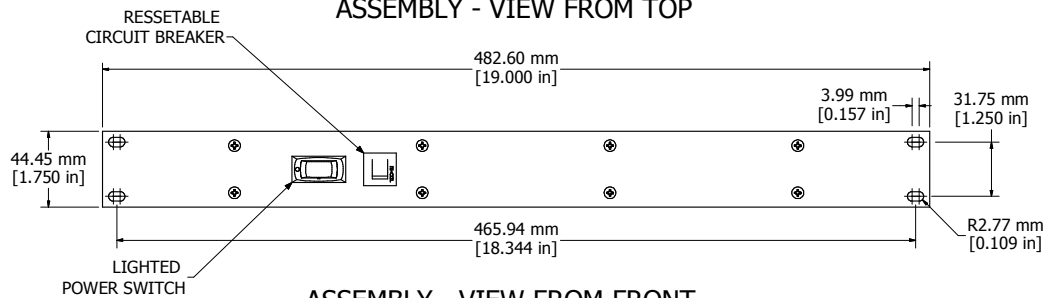
6' FOOT POWER CORD



ASSEMBLY - VIEW FROM TOP



ASSEMBLY - VIEW FROM SIDE



ASSEMBLY - VIEW FROM FRONT

RESETTABLE
CIRCUIT BREAKER

LIGHTED
POWER SWITCH



ISOMETRIC VIEW

FT300HA1BK
Finish - Black Textured Powder Paint
Rated - 115 VAC, 60 Hz, 3 Amps
Free Flow Air Delivery - 300 CFM
Approvals - cURus Recognized UL507 and CSA C22.2 No.113



**HAMMOND
MANUFACTURING™**

FT300HA1BK

www.hammondmfg.com