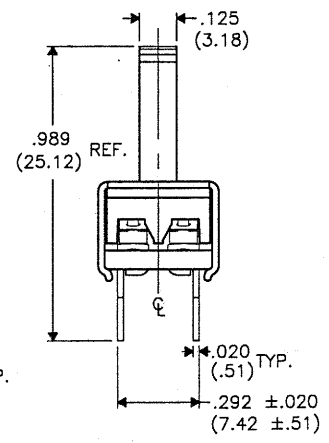
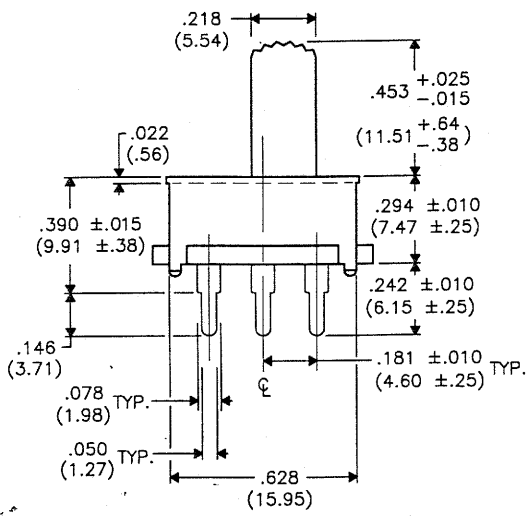
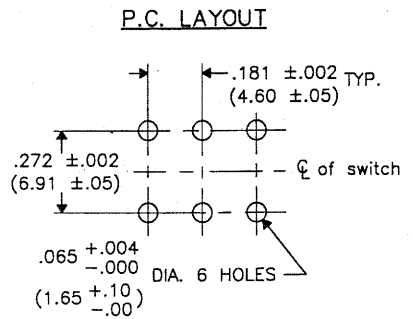
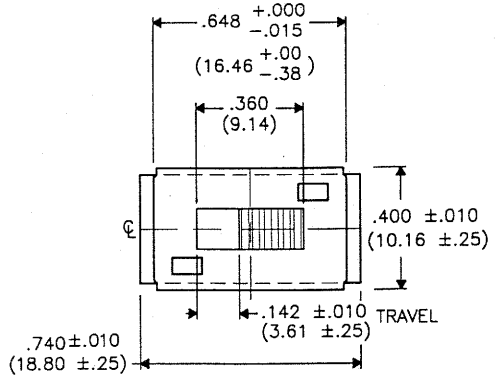


DIMENSIONS IN INCHES (MILLIMETERS)  
DO NOT SCALE DRAWING .....

Dwg. No.  
**GF-126-0313**

E  
D  
C  
B  
A



1 2 3 4 5 6 7 8 9 10

FORM-B3 <b>REVISIONS</b>	0	RELEASED. DGW 7-13-93 RBK 7-19-93
	1	REDRAWN. UPDATED ALL DIMENSIONS PER NEW BUTTON G-02-030-020 & NEW TERM. G-20-069. <b>CAFEB 10 1999</b>
	2	CORRECTED TOP VIEW. REMOVED DETENT BUMPS 1 AND 4 FROM TOP OF HOUSING. DGW 1-06-2006 <b>JAN 10 2006</b>

**CW INDUSTRIES**  
Southampton, Pa. 18966

TOLERANCES UNLESS OTHERWISE SPECIFIED

2 Place Decimal ±.010	METRIC
3 Place Decimal ±.005	1 Place Dec. ±.25mm
Angles ..... ±1°	2 Place Dec. ±.13mm

Made for: CW IND.  
Drawn by: DGW 2-09-99  
Checked by: G. GULD 2-9-99  
Approval: *[Signature]* 2-9-99

Title:  
**MINI-SWITCH  
ASSEMBLY  
D.P.- D.T.**

Division:  
**SWITCH**

Dwg. No.  
**GF-126-0313**