

OV490 companion ISP product brief



available in
a lead-free
package

High-Quality Image and Video Processing for the Next Generation of Advanced Driver Assistance Systems (ADAS)

The OV490 is a new powerful companion chip that brings improved high dynamic range (HDR) functionality as well as high-quality image and video processing to next-generation advanced driver assistance systems (ADAS). Working in conjunction with other high-performance image sensors, the OV490 enables extremely flexible system partitioning to support a number of advanced automotive features.

OmniVision's OV490 enables simultaneous output of fully processed YUV or RGB for display-based applications and RAW data for machine-vision downstream processing. It also incorporates unique architecture that is capable of processing two video pipelines, resulting in reduced bill-of-materials.

The OV490 contains a well-defined feature set to fulfill Automotive Safety Integrity Level (ASIL) according to ISO 26262. The companion chip fits into a BGA package, and has completed AEC-Q100 Grade-2 qualifications.

Find out more at www.ovt.com.



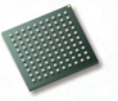
Applications

- Rear View Camera
- Camera Monitoring System
- Surround View System

Product Features

- AEC-Q100 grade 2 qualified
- feature set optimized for next generation surround view applications
- simultaneous output of fully processed YUV for display based applications and RAW only to enable machine vision downstream processing
- parallel processing of two input streams
- industry leading HDR technology, third generation HDR technology allows capturing of more details in bright and dark environments
- JTAG boundary scan
- high speed serial data transfer with MIPI CSI-2
- embedded information including: frame counter, temperature and register data in each image to enable critical automotive safety applications
- industry's first features to improve image harmonization and synchronization for surround view applications
- SCCB master interface for automatic sensor configuration at power-on
- SCCB slave interface for OV490 configuration by host
- on chip PLL to generate stable internal clock frequency
- on chip voltage regulator 3.3V/1.8V to 1.2V
- brown-out detection circuit and output flag
- embedded 32-bit RISC processor for high performance and great flexibility
- supports 1K bits of one time programmable memory (OTP)
- advanced ISP for high quality image capturing and video streaming
- advanced auto white balance (AWB)
- AEC/AGC with statistical data from hardware engine and algorithm running on RISC
- support of four user-defined ROI windows for statistics
- DNS (RAW de-noise) and CIP (de-mosaic)
- supports power cut mode designed for power saving during system quiescence

OV490



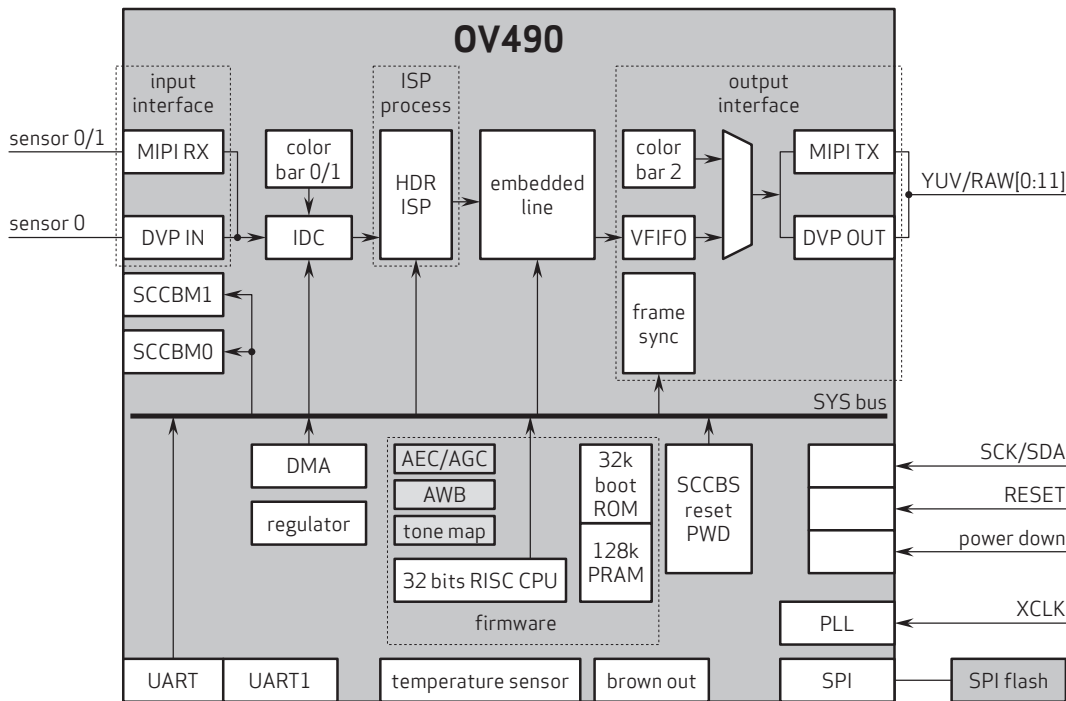
Ordering Information

- **OV00490-B00G-1B**
(lead-free) 100-pin BGA, packed in tray
- **OV00490-B00G-TB**
(lead-free) 100-pin BGA, packed in tape and reel

Product Specifications

- **power supply:**
- core: 1.2V ±10%
- I/O: 1.8V ±10% or 3.3V ±10%
- **power requirements:** 250 mA
- **temperature range:**
- operating: -40°C to +105°C ambient temperature and -40°C to +125°C junction temperature
- **package dimensions:** 7 mm x 7 mm

Functional Block Diagram



4275 Burton Drive
Santa Clara, CA 95054
USA

Tel: + 1 408 567 3000
Fax: + 1 408 567 3001
www.ovt.com

OmniVision reserves the right to make changes to their products or to discontinue any product or service without further notice. OmniVision, the OmniVision logo and OmniPixel are registered trademarks of OmniVision Technologies, Inc. OmniBSI-2 is a trademark of OmniVision Technologies, Inc. All other trademarks are the property of their respective owners.



OmniVision