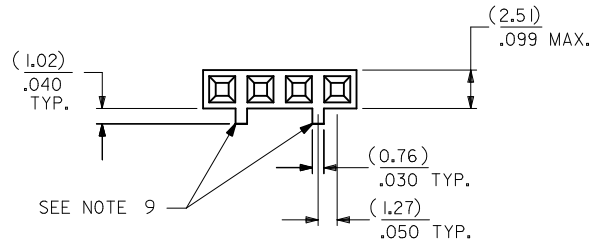


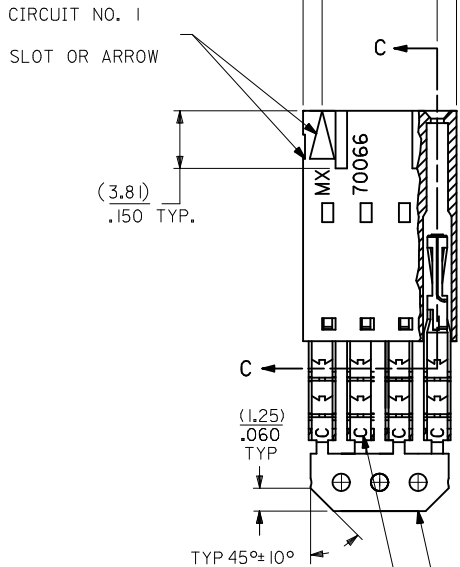
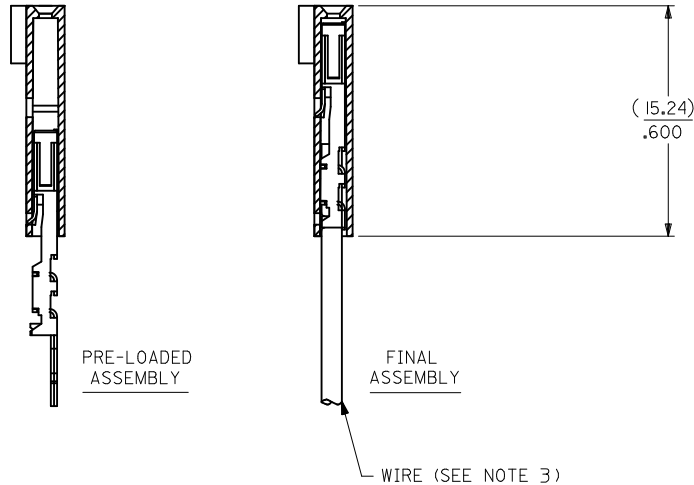
OPTION C

- NOTES:
- MATERIAL:
HOUSING: POLYESTER(PBT), GLASS FILLED, UL94 V-0,
COLOR: BLACK
TERMINAL: PHOSPHOR BRONZE
 - FINISH:
30 GOLD: 0.76 MICROMETERS/30 MICROINCHES MINIMUM GOLD IN
1.91 MICROMETERS/75 MICROINCHES MINIMUM TIN
OVER NICKEL UNDERPLATE OVERALL
 - TO BE USED WITH 28 AWG STRANDED WIRE WITH (1.35)/.053
DIAMETER MAXIMUM INSULATION
 - SEE TABLE FOR AVAILABLE CIRCUIT SIZES
 - STANDARD PACKAGING PER PK-70873-0001. OPTIONAL PACKAGING
MAY BE AVAILABLE. REQUEST DRAWING PK-70400
 - PARTS STACKABLE END TO END ON (2.54)/.100 CENTERS
 - PRODUCT SPECIFICATION: PS-70400
 - SEE DRAWING SDA-70400-**** (SHEET 3) FOR OPTIONAL
HOUSING DETAILS
 - 4 CIRCUIT SHOWN. 3-25 CIRCUITS HAVE 2 RIBS
 - TO MATE WITH MOLEX PART NUMBERS: A-70374-****,
A-70376-****, A-70390-****, A-70392-****,
A-70544-****, A-70554-****, A-70542-****,
A-70552-****, A-70546-****, A-70556-****,
 - 2 CIRCUIT ASSEMBLIES SUPPLIED AS GROUPED PAIRS

CKT. SIZE	A	B	EDP. NO.
2	(2.54) .100	(5.05) .199	14-56-4024
3	(5.08) .200	(7.59) .299	14-56-4034
4	(7.62) .300	(10.13) .399	14-56-4044
5	(10.16) .400	(12.67) .499	14-56-4054
6	(12.70) .500	(15.21) .599	14-56-4064
7	(15.24) .600	(17.75) .699	14-56-4074
8	(17.78) .700	(20.29) .799	14-56-4084
9	(20.32) .800	(22.83) .899	14-56-4094
10	(22.86) .900	(25.37) .999	14-56-4104
11	(25.40) 1.000	(27.91) 1.099	14-56-4114
12	(27.94) 1.100	(30.45) 1.199	14-56-4124
13	(30.48) 1.200	(32.99) 1.299	14-56-4134
14	(33.02) 1.300	(35.53) 1.399	14-56-4144
15	(35.56) 1.400	(38.07) 1.499	14-56-4154
16	(38.10) 1.500	(40.61) 1.599	14-56-4164
17	(40.64) 1.600	(43.15) 1.699	14-56-4174
18	(43.18) 1.700	(45.69) 1.799	14-56-4184
19	(45.72) 1.800	(48.23) 1.899	14-56-4194
20	(48.26) 1.900	(50.77) 1.999	14-56-4204
21	(50.80) 2.000	(53.31) 2.099	14-56-4214
22	(53.34) 2.100	(55.85) 2.199	14-56-4224
23	(55.88) 2.200	(58.39) 2.299	14-56-4234
24	(58.42) 2.300	(60.93) 2.399	14-56-4244
25	(60.96) 2.400	(63.47) 2.499	14-56-4254



SECTION C-C



I.D. SLOT CODE TO WIRE GAUGE CHART	
I.D. SLOT CODE	WIRE GAUGE
C	28 AWG.

PLATING CODE (STRIPE ON CARRIER STRIP)	
PLATING	COLOR
30 GOLD	RED

REMOVE ENG NO. EC NO: UCP2011-110 DRW:MSI BARRA 2010/10/19 CHKD:J MORGAN 2010/10/19 APPR:SMILLER 2010/11/24	QUALITY SYMBOLS ▽=0 ▽=0 ▽=0	GENERAL TOLERANCES (UNLESS SPECIFIED)	DIMENSION STYLE MM/IN	SCALE	DESIGN UNITS INCH	THIRD ANGLE PROJECTION	
		4 PLACES ± --- ± --- 3 PLACES ± --- ± .010 2 PLACES ± 0.25 ± .014 1 PLACE ± 0.35 ± --- ANGULAR ± 1/2°	DRAWN BY MSI BARRA DATE 2010/10/20	CHECKED BY WAZ DATE 1984/10/11	TITLE ASSEMBLY, SL CONNECTOR SINGLE ROW 2.54/.100 GRID	MATERIAL NO. SDA-70400-1436-1459	
DRAFT WHERE APPLICABLE MUST REMAIN WITHIN DIMENSIONS		SEE TABLE		MATERIAL NO. SDA-70400-1436-1459			SHEET NO. 1 OF 1
THIS DRAWING CONTAINS INFORMATION THAT IS PROPRIETARY TO MOLEX INCORPORATED AND SHOULD NOT BE USED WITHOUT WRITTEN PERMISSION							