

4

3

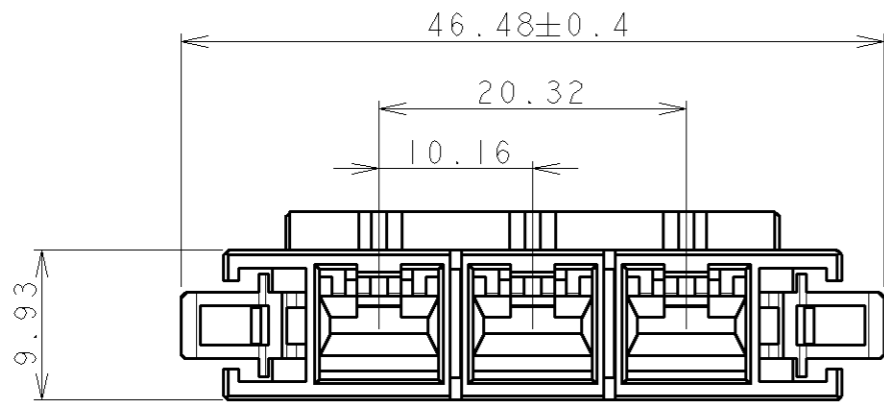
2

1

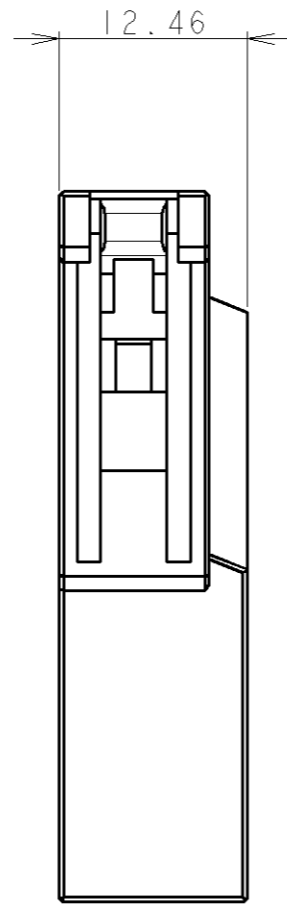
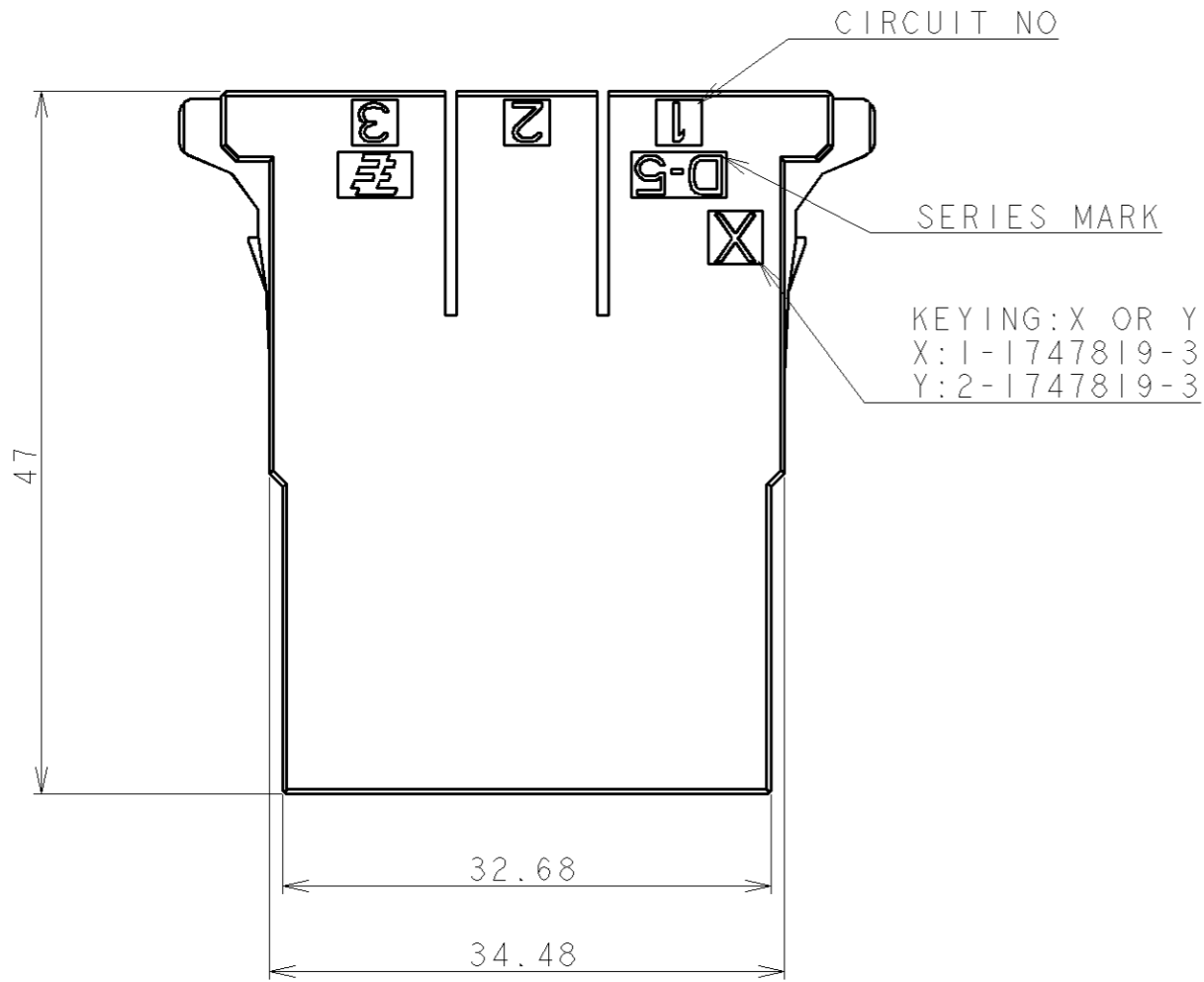
THIS DRAWING IS UNPUBLISHED. RELEASED FOR PUBLICATION 2007

© COPYRIGHT 2007 BY TYCO ELECTRONICS CORPORATION. ALL INTERNATIONAL RIGHTS RESERVED.

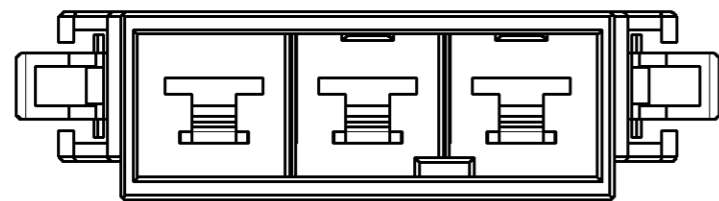
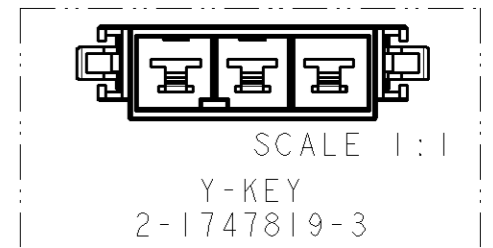
| LOC | DIST | REVISIONS |     |                           |         |     |      |
|-----|------|-----------|-----|---------------------------|---------|-----|------|
| J   |      | P         | LTR | DESCRIPTION               | DATE    | DWN | APVD |
|     |      |           | C   | REVISED PER ECR-10-007167 | 05MAY10 | HMR | T.M  |



AS SHOWN: 1-1747819-3  
3POS: X-KEY



I. 材料: ガラス入り熱可塑性ポリエステル樹脂 (94V-0)  
色: 黒  
I. MATERIAL: GLASS FILED THERMO PLASTIC  
POLYESTER (94V-0)  
COLOR: BLACK



KEY LOCATION VIEW

|   |  |   |  |  |  |
|---|--|---|--|--|--|
| <small>THIS DRAWING IS A CONTROLLED DOCUMENT FOR TYCO ELECTRONICS CORPORATION<br/>IT IS SUBJECT TO CHANGE AND THE CONTROLLING ENGINEERING ORGANIZATION<br/>SHOULD BE CONTACTED FOR THE LATEST REVISION.</small> |  | DWN M. MAEBASHI 23MAR2007<br>CHK T. KUDO 23MAR2007<br>APVD D. MITSUGI 23MAR2007   |  | Tyco Electronics Corporation<br>Kawasaki, Japan  |  |
| DIMENSIONS:<br>単位: 概<br>mm  |  | TOLERANCES UNLESS OTHERWISE SPECIFIED:<br>一般公差 ±0.3, ±3°<br>0-PLC ±<br>1-PLC ±<br>2-PLC ±<br>3-PLC ±<br>4-PLC ±<br>ANGLES ± |  | NAME 名称<br>DYNAMIC D5300S 10.16mm PITCH<br>TAB HSG, REVERSE MOUNT TYPE<br>3 POS                              |  |
| MATERIAL 材料   |  | FINISH 仕上   |  | PRODUCT SPEC 108-5453<br>APPLICATION SPEC 取付適用規格 114-5206<br>WEIGHT<br>SCALE 尺度 2:1<br>SHEET 1 OF 1<br>REV C |  |
| CUSTOMER DRAWING  |  |   |  | RESTRICTED TO  |  |