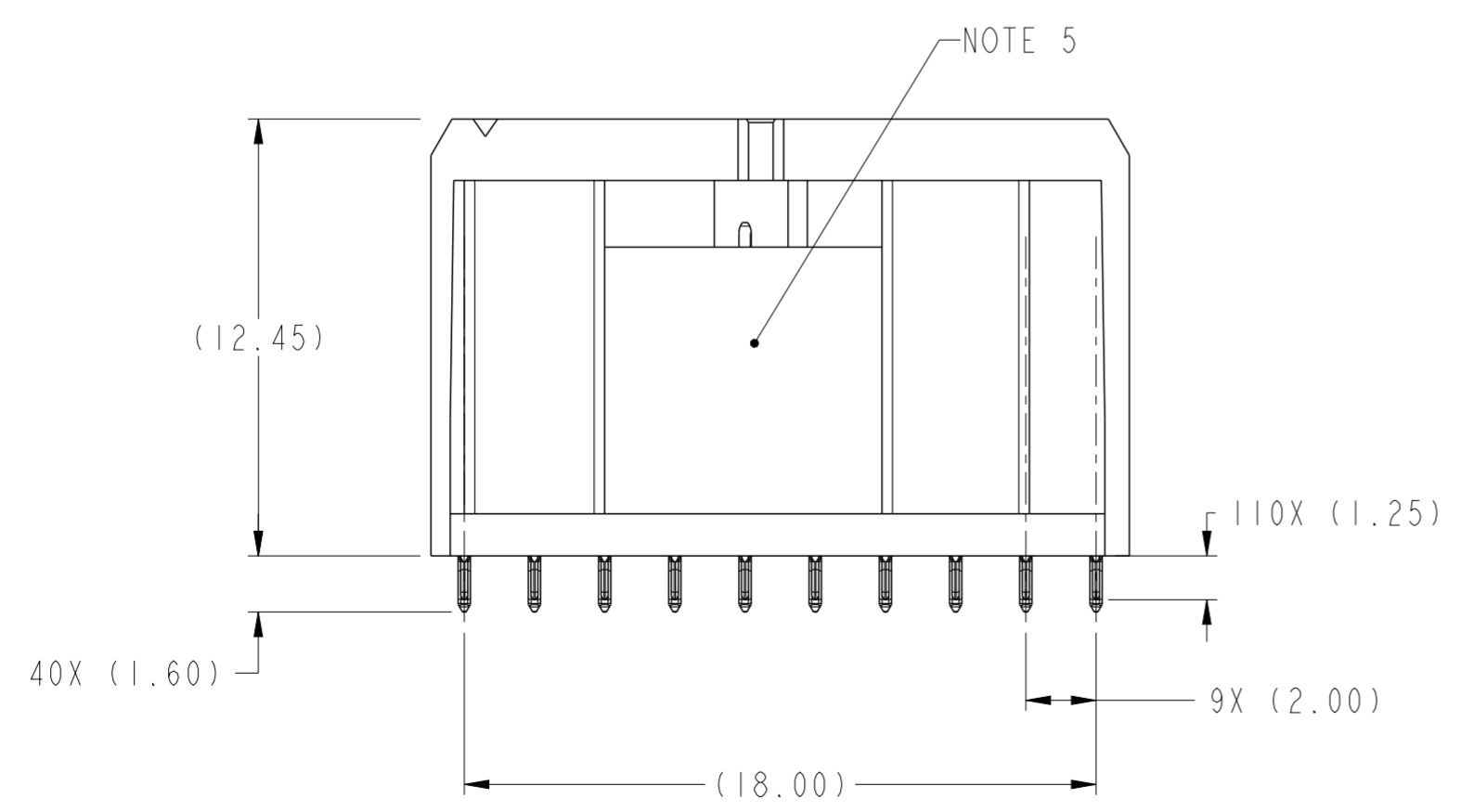
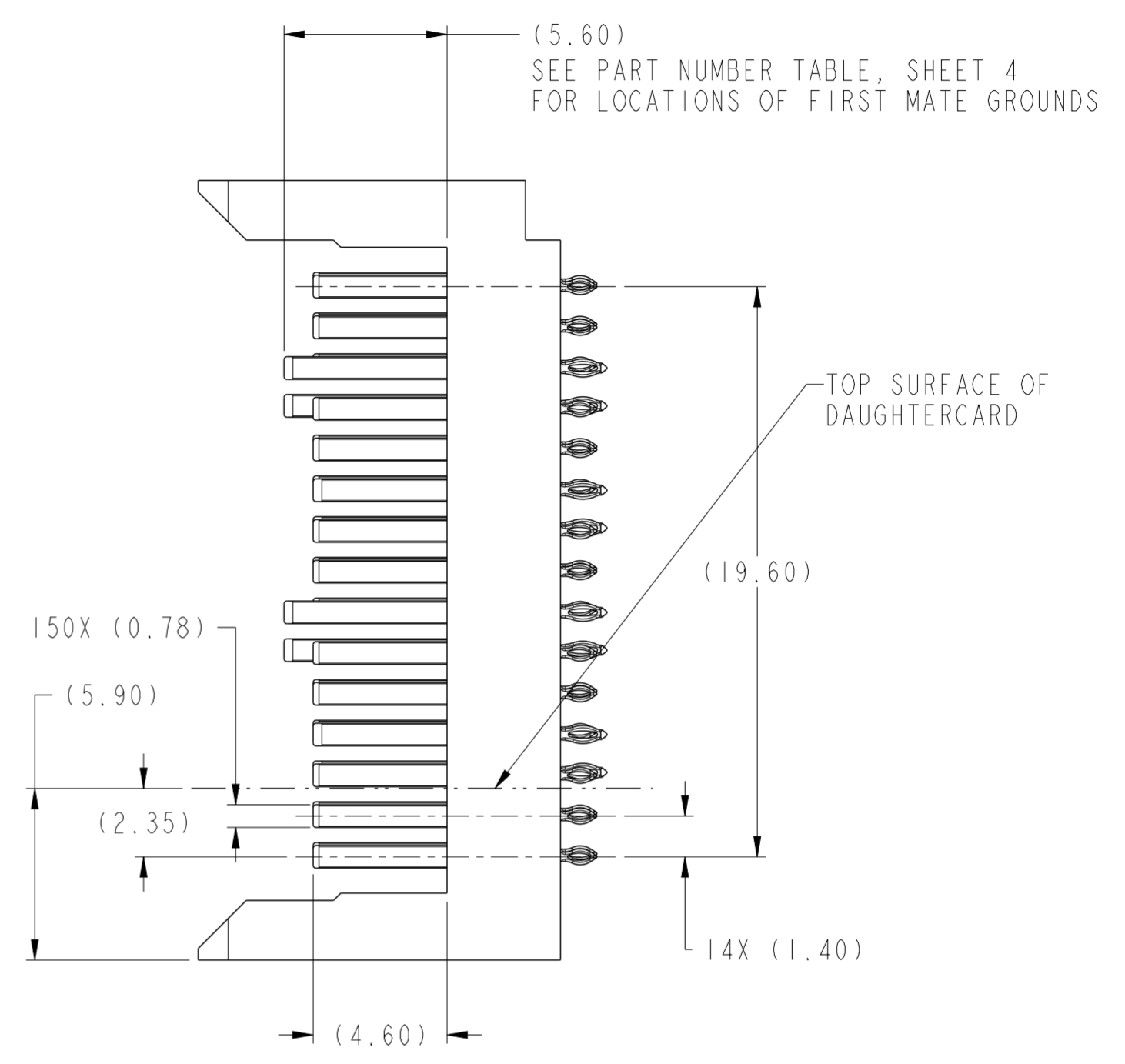
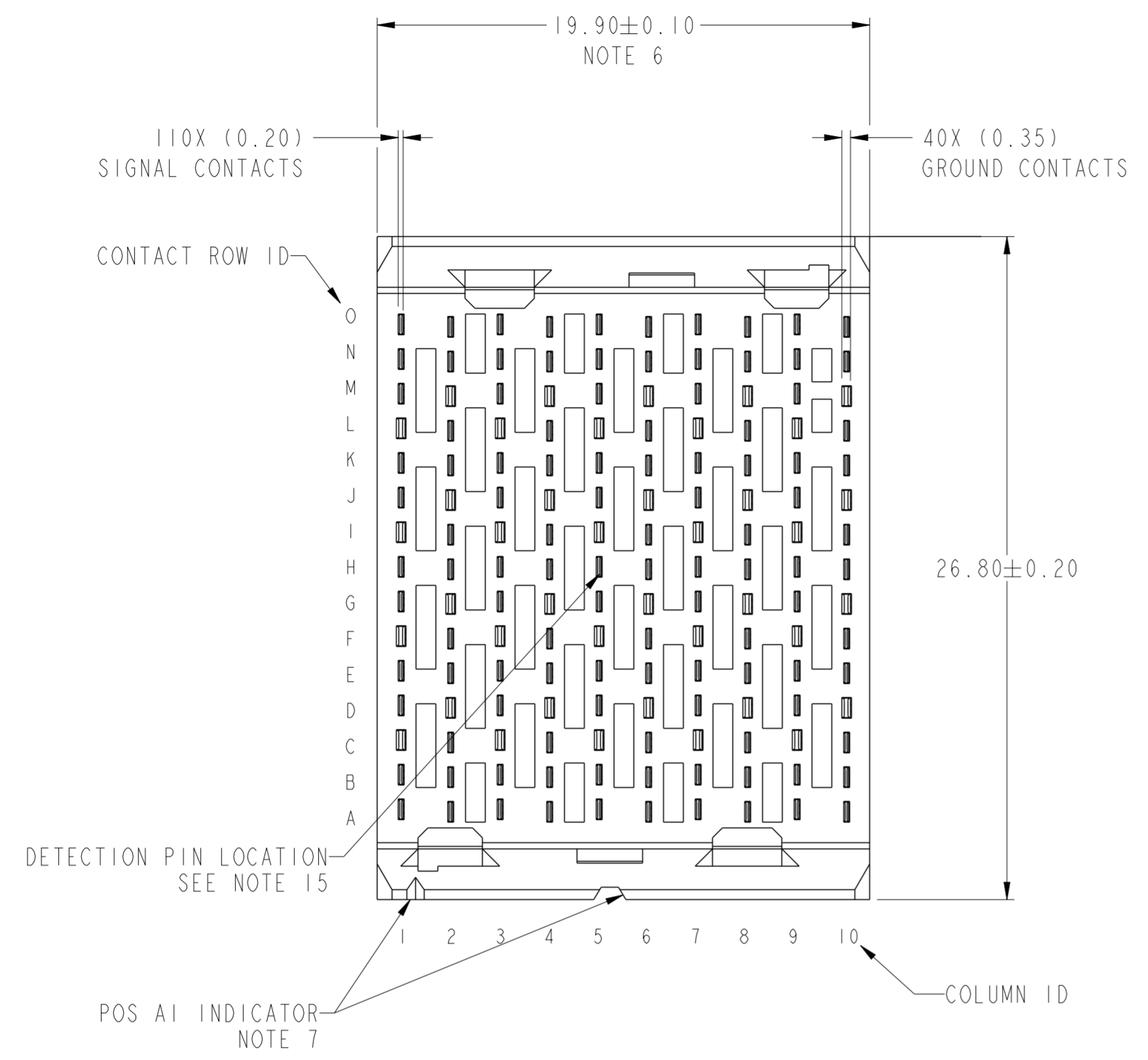


Product number
SEE TABLE, SHT 4



spec ref	-	dr	Sander Soe	2012/1/15	projection	MM	size	A2	scale	5:1
tolerance std	ASME Y14.5	eng	Kou Xu	2014/08/11	chr	-	ecn no	ELX-DG-18510-1	rel level	Released
surface	✓	appr	Collins Lu	2014/10/23	product family	AIRMAX VS	cat. no	10123360	rev	B
ASME Y14.5	linear	0.X	±0.3	0.XX	±0.10	0.XXX	±0.050	angular	0°	±2°
		www.fci.com		title		AIRMAX VSE VERTICAL HEADER		Product - Customer Drw		sheet 1 of 4

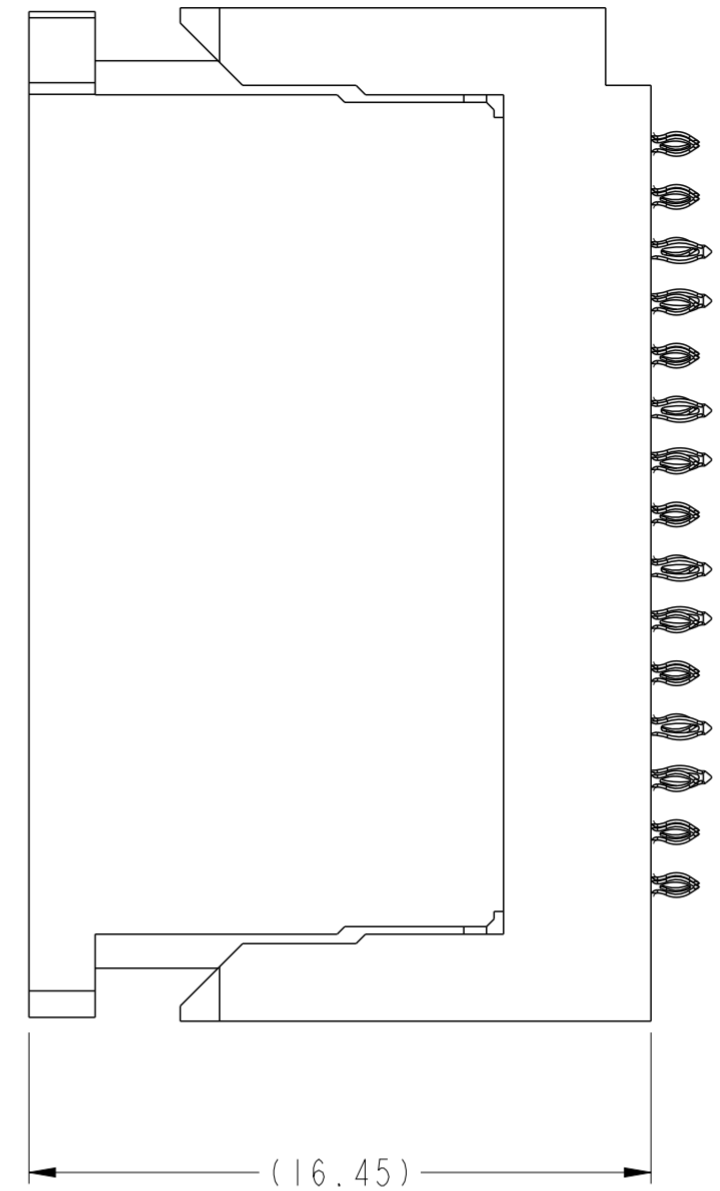
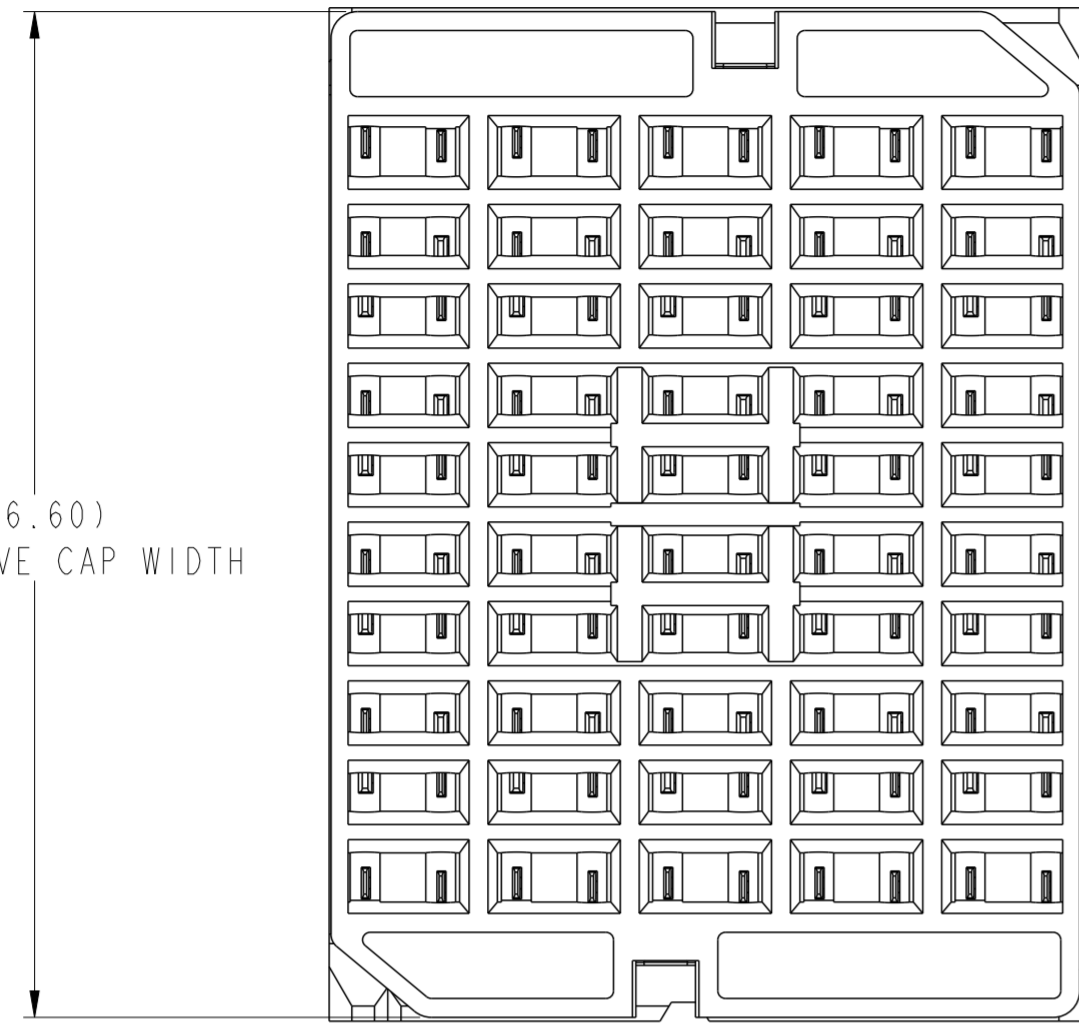
PDS: Rev :B

STATUS:Released

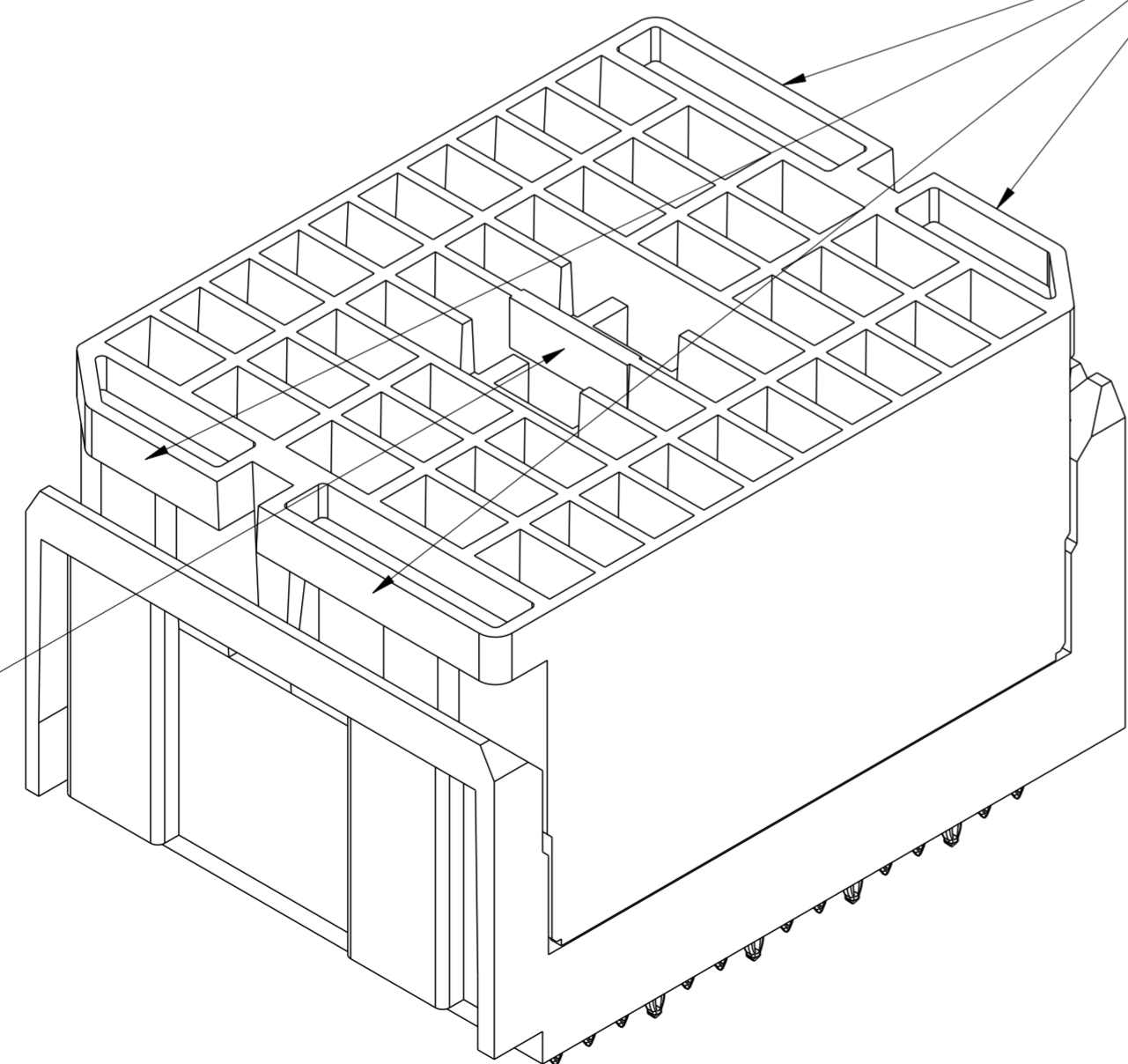
Printed: Oct 24, 2014

Copyright FCI.
FCI

(26.60)
PROTECTIVE CAP WIDTH



NOTE 12



NOTE 13

$\triangle B$
VIEWS SHOWN WITH
PROTECTIVE COVER INSTALLED
10123360-101LF & 111LF

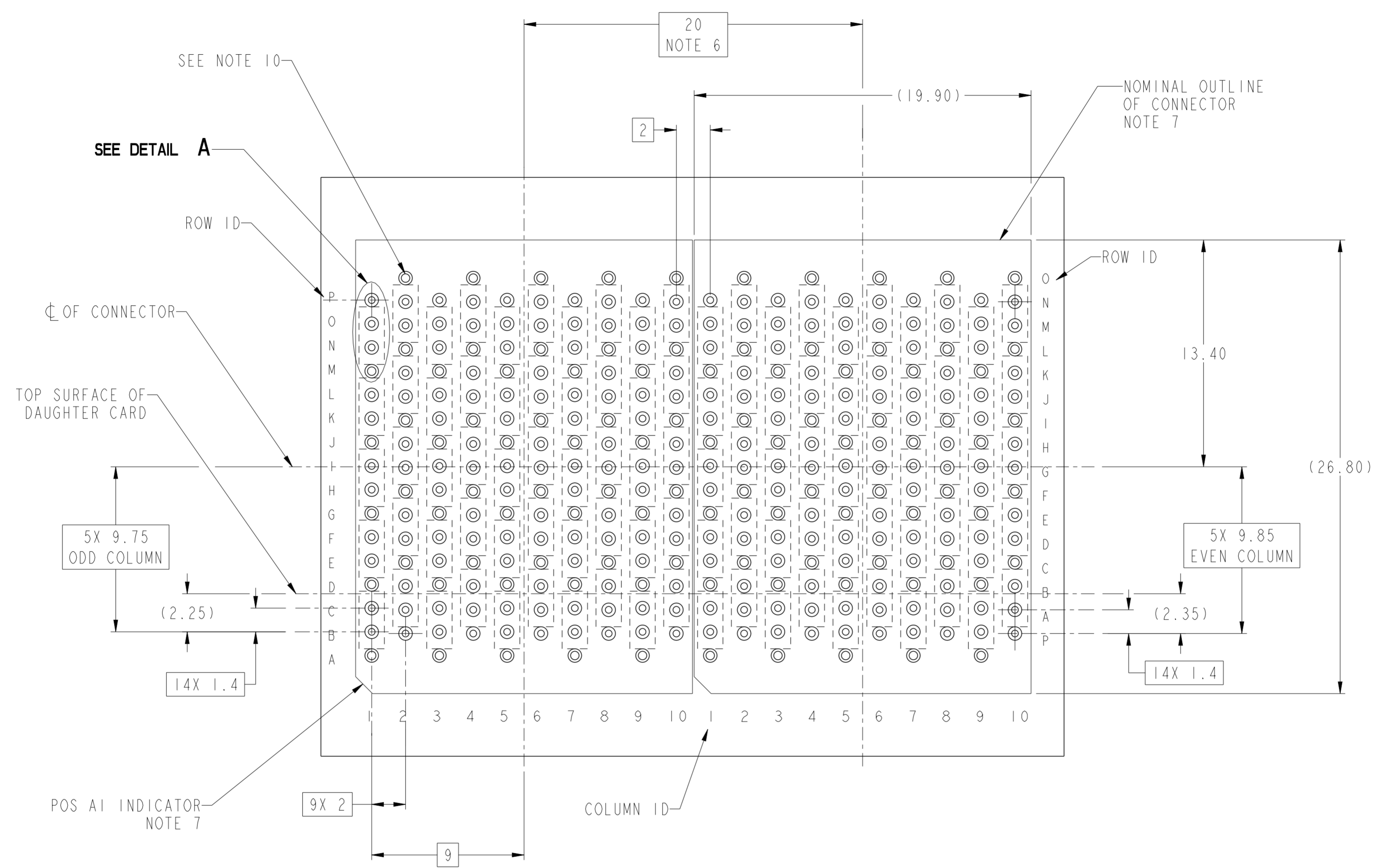
Copyright FCI.
FCI

spec ref	-	dr	Sander Soe	2012/1/15	projection	MM	size	A2	scale	5:1	
tolerance std	ASME Y14.5	eng	Kou Xu	2014/08/11		MM	ecn no	ELX-DG-18510-1			
	TOLERANCES UNLESS OTHERWISE SPECIFIED	chr	-	rel level				Released			
surface	✓	appr	Collins Lu	2014/10/23	product family	AIRMAX VS	title	AIRMAX VSE VERTICAL HEADER			
ASME Y14.5	linear	0.X	±0.3	FCI www.fci.com	cat. no.	-	dwg no	10123360		rev	B
		0.XX	±0.10		Product - Customer Drw	sheet 2 of 4					
	angular	0°	±2°								

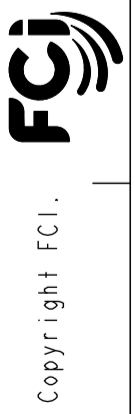
PDS: Rev :B

STATUS:Released

Printed: Oct 24, 2014

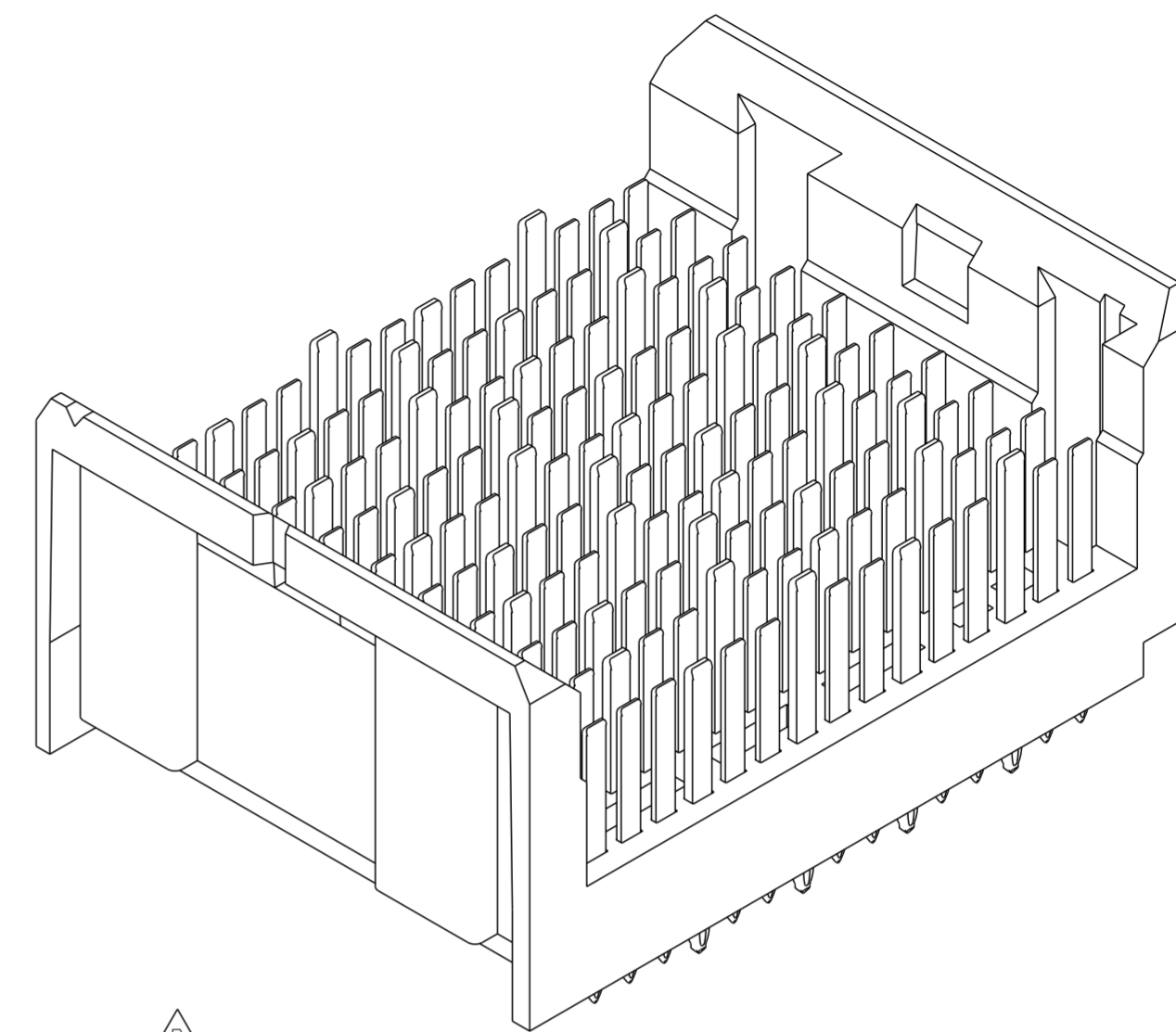


RECOMMENDED PCB LAYOUT
FOR DIFFERENTIAL APPLICATIONS,
COMPONENT SIDE
(TWO ADJACENT FOOTPRINTS SHOWN)
NOTES 6, AND 8



spec ref	-	dr	Sander Soe	2012/1/15	projection	MM	size	A2	scale	3:1	
tolerance std	ASME Y14.5	eng	Kou Xu	2014/08/11			ecn no	ELX-DG-18510-1			
		chr	-	rel level			Released				
surface	✓	appr	Collins Lu	2014/10/23	product family	AIRMAX VS	rel level	Released			
ASME Y14.5	angular	linear	0.X ±0.3 0.XX ±0.10 0.XXX ±0.050	0° ±2°	www.fci.com	cat. no.	-	Product - Customer Drw	sheet 3 of 4		
FCI TITLE AIRMAX VSE VERTICAL HEADER 5 PAIR 150 POS 2MM 10 COL SMALL PRESS FIT							dwg no	10123360		rev	B

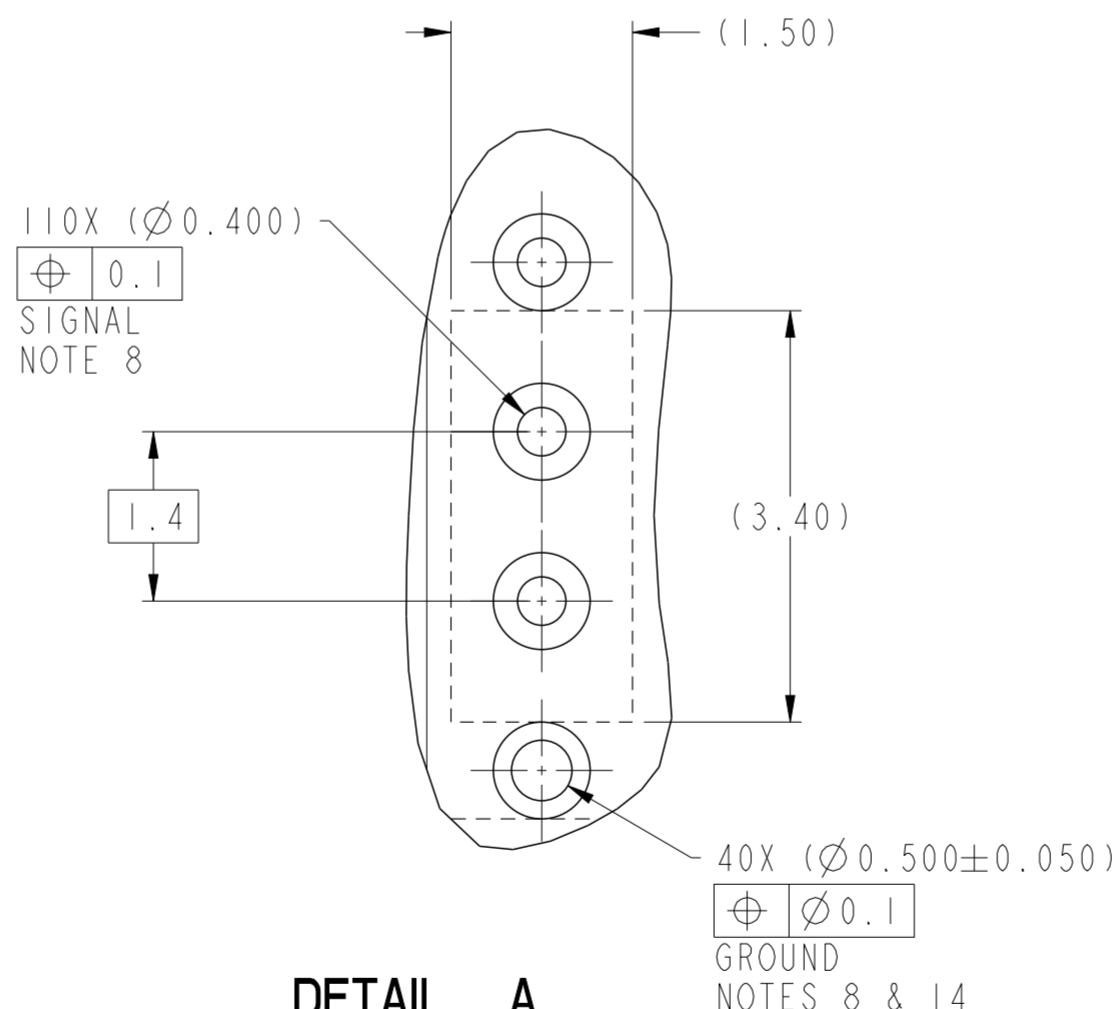
PART NUMBER	PRESS-FIT TAIL PLATING TYPE	PROTECTIVE COVER	DETECTION PIN	LONG GROUND PIN LOCATIONS (5.6MM)	REMARKS
10123360-101LF	TIN OVER NICKEL (LEAD FREE)	YES	NO	F1, F3, F5, F7, F9, G2, G4, G6, G8, G10, L1, L3, L5, L7, L9, M2, M4, M6, M8, M10	2-SIDED PLATING
10123360-111LF	TIN OVER NICKEL (LEAD FREE)	YES	YES		



10123360-101LF & 111LF WITHOUT PROTECTIVE COVER

NOTES:

- CONNECTOR MATERIALS:
HOUSING: HIGH TEMP THERMOPLASTIC, BLACK, UL94V-0
CONTACT: COPPER ALLOY
- CONTACT PLATING:
SEPARABLE INTERFACE: PERFORMANCE-BASED PLATING, QUALIFIED TO MEET THE REQUIREMENTS OF FCI PRODUCT SPECIFICATION GS-12-239 INCLUDING TELCORDIA GR-1217-CORE (NOVEMBER 1995) CENTRAL OFFICE TEST SEQUENCE
PRESS-FIT TAILS: SEE TABLE
- PRODUCT SPECIFICATION: GS-12-239.
- APPLICATION SPECIFICATION: GS-20-035.
- PRODUCT MARKING, (PROTOTYPE, PART NUMBER & LOT CODE), ON THIS SURFACE.
- THE MINIMUM CENTERLINE SPACING BETWEEN ADJACENT MODULES IS 20.0 mm.
- CONNECTOR OUTLINE WITH HOUSING POS A1 INDICATOR MAY BE SCREEN PRINTED ONTO CUSTOMER PCB TO BE USED AS A GUIDE FOR MANUAL CONNECTOR PLACEMENT.
- REFER TO CUSTOMER DRAWING 10045979 FOR INFORMATION ON PCB HOLE DIAMETERS AND PLATING OPTIONS.
- THIS PRODUCT MEETS EUROPEAN UNION DIRECTIVES AND OTHER COUNTRY REGULATIONS AS DESCRIBED IN GS-22-008.
- THE OUTER VIAS IN COLUMN P ARE OPTIONAL. IF ADDED THESE HOLES PROVIDE GROUND SYMMETRY THROUGH THE PCB. NO CONNECTORS EONS WILL BE PRESSED INTO THESE HOLES.
- PACKAGING MEETS GS-14-920 LEAD FREE LABELING SPECIFICATION.
- FOR REMOVAL OF THE PROTECTIVE CAP BY HAND GRIP USING THESE SURFACES.
- FOR REMOVAL OF THE PROTECTIVE CAP WITH PLIERS GRIP USING THIS FEATURE.
- GROUND VIAS IN POSITION C, F, I, L & P FOR ODD COLUMNS AND POSITIONS D, G, J, M & P FOR EVEN COLUMNS REQUIRE (Ø0.50) FINISHED HOLES. ALL OTHER VIAS REQUIRE (Ø0.40) FINISHED HOLES.
- MATING PIN H5 IS 0.5mm LESS NOMINAL WIPE THAN THE SHORTEST PIN
- A SYMBOL WILL BE NEXT TO ANY DIMENSION, VIEW, OR NOTE THAT HAS BEEN MODIFIED WITH THE CURRENT DRAWING REVISION.



DETAIL A
SCALE 16:1

spec ref	-	dr	Sander Soe	2012/1/15	projection	MM	size	A2	scale	5:1
tolerance std	ASME Y14.5	eng	Kou Xu	2014/08/11	chr	-	ecn no	ELX-DG-18510-1	rel level	Released
surface	✓	appr	Collins Lu	2014/10/23	product family	AIRMAX VS	cat. no.	10123360	rev	B
ASME Y14.5	angular	0°	±2°	www.fci.com	cat. no.	-	Product - Customer Drw	sheet 4 of 4		