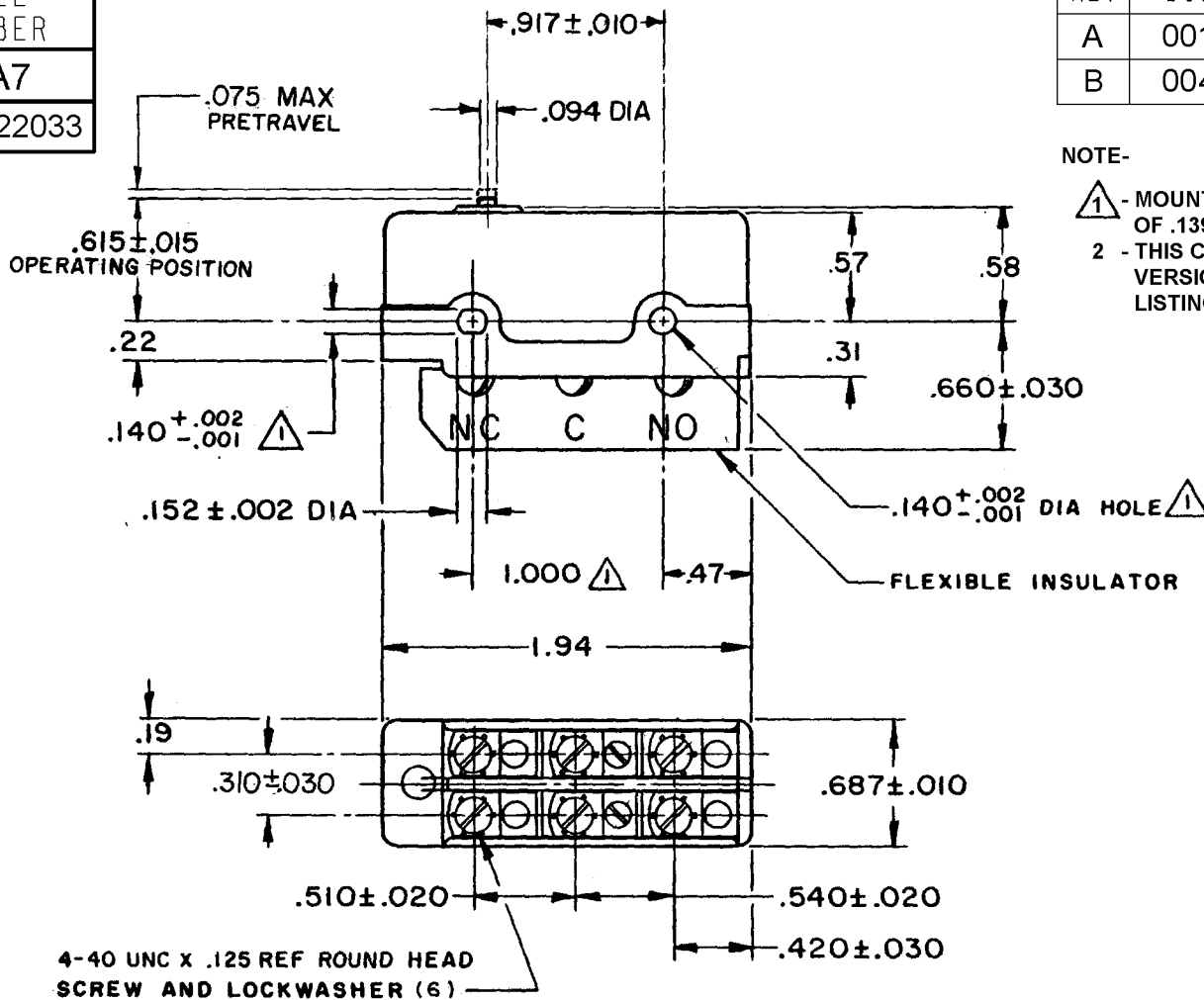


HONEYWELL  
PART NUMBER  
**DT-2R3-A7**  
AZB3000/JG-22033


REV	DOCUMENT	CHANGED BY	CHECK
A	0018429	TSG 20 JAN 06	RJ
B	0043022	MBH 22AUG08	ASD



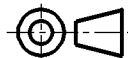
NOTE-

- 1 - MOUNTING HOLES WILL ACCEPT PINS OR SCREWS OF .139 MAX DIA ON 1.000 ± .002 CENTERS
- 2 - THIS CATALOG LISTING IS A WEEE/RoHS COMPLIANT VERSION OF EXISTING NON-COMPLIANT CATALOG LISTING DT-2R-A7.

CHARACTERISTICS	
OPERATING FORCE	12-20 OZ
RELEASE FORCE	2 OZ MIN
DIFFERENTIAL TRAVEL	.040-.060
OVERTRAVEL	.005 MIN

ELECTRICAL DATA	
CONTACT ARRANGEMENT O P D T	
UNDERWRITERS' LAB. INC. LISTED RATING -L59- 10 A-125 VAC OR 250 VAC 0.3 A@125 VDC; 0.15 A-250 VDC	
DWL 	

WEIGHT .078 LB MAX

DESIGN UNITS: INCH		
TOLERANCES UNLESS NOTED:		
NO PLACE	X	±
ONE PLACE	.X	± 0.030
TWO PLACE	.XX	± 0.015
THREE PLACE	.XXX	± 0.005
FOUR PLACE	.XXXX	±
ANGLES		±
THIRD ANGLE PROJECTION 		

DRAWN	TSG	20 JAN 06
CHECK	RJ	20 JAN 06
THIS DRAWING COVERS A PROPRIETARY ITEM AND IS THE PROPERTY OF HONEYWELL. THIS DRAWING IS NOT TO BE COPIED OR USED WITHOUT THE PERMISSION OF HONEYWELL.		
INTERPRET PER ASME Y14.5M-1994 OTHER HONEYWELL ENGINEERING STANDARDS MAY APPLY		
RASTER		

<b>Honeywell</b>			
TITLE <b>SWITCH-BASIC</b>			
SIZE	TYPE	DRAWING NAME	REV
<b>A</b>	<b>E</b>	<b>DT-2R3-A7</b>	<b>B</b>
SCALE	NTS	SHEET	1 OF 1