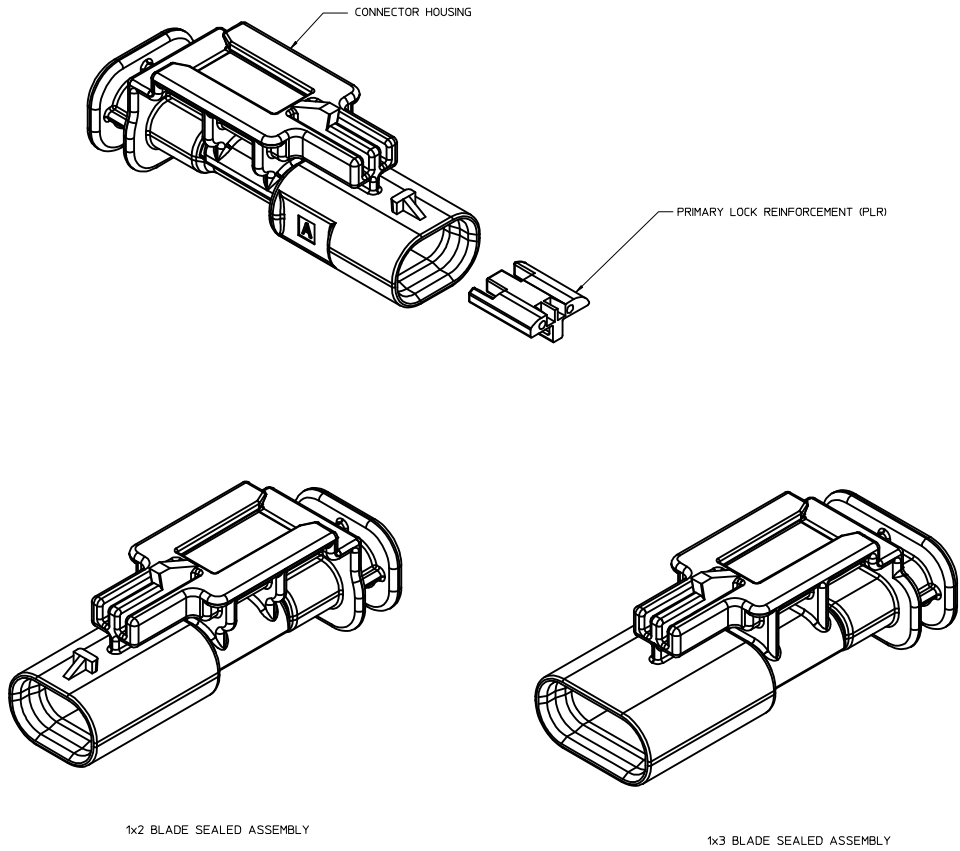


TABLE OF CONTENTS

SHEET NO.	SHEET DESCRIPTION
1	NOTES
2	1x2 BLADE SEALED ASSEMBLY KEYING CONFIGURATIONS
3	1x3 BLADE SEALED ASSEMBLY KEYING CONFIGURATIONS
4	CLIP-SLOT CONFIGURATIONS
5	BLADE SEALED ASSEMBLY
6	CONNECTION SYSTEM PACKAGING
8	WIRE DRESS COVER INTERFACE OPTIONS
8	1x2 BLADE SEALED ASSEMBLY BOM INTERFACE OPTION 1
9	1x2 BLADE SEALED ASSEMBLY BOM INTERFACE OPTION 2
8	1x3 BLADE SEALED ASSEMBLY BOM INTERFACE OPTION 1
9	1x3 BLADE SEALED ASSEMBLY BOM INTERFACE OPTION 2



NOTES: VALID UNLESS OTHERWISE SPECIFIED

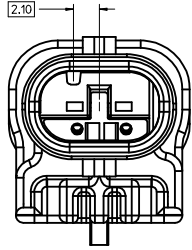
1. GENERAL:
 - a. APPLICATION SPECIFICATION SEE: AS-34900-0001
CONTAINS: PRODUCT INTRODUCTION, PRODUCT SUMMARY, CONNECTOR ASSEMBLY, PACKAGING INFORMATION, CONNECTOR MATING, SERVICE INSTRUCTIONS, ELECTRICAL CONTINUITY CHECKING, CRIMPING, AND TROUBLESHOOTING.
 - b. PRODUCT SPECIFICATION SEE: PS-34900-0001
CONTAINS: PRODUCT INTRODUCTION, PRODUCT SUMMARY, RATINGS (CURRENT, TEMPERATURE, SEALING, AND FLAMMABILITY), AND PRODUCT VALIDATION.
 - c. PACKAGING SPECIFICATION PER MOLEX DRAWING: PK-31301-898
 - d. PARTS MUST BE IN COMPLIANCE TO MOLEX CHEMICAL SUBSTANCES FOR PRODUCTS AND PACKAGING SPECIFICATION: ES-40000-5016
 - e. DATA MUST BE SUBMITTED UNDER THE MOLEX PART NUMBER TO IMDS (COMPANY ID#13255)
2. DESIGN - MATERIALS:
 - a. SEE BOM TABLE
3. DESIGN - GEOMETRY:
 - a. THIS IS A 100% CAD GENERATED PART. THE CAD MATHEMATICAL DATA IS THE MASTER FOR THIS PART. FOR DIMENSIONAL OR ANY INFORMATION NOT SHOWN ON THIS DRAWING, ANALYZE THE CAD MODEL.
 - b. GEOMETRIC DIMENSIONS AND TOLERANCES PER ASME Y14.5M - 1994
 - c. EDGES AND UNDIMENSIONED DETAILS PER ISO13715
 - d. CORNERS SHOWN AS SHARP TO BE R 0.2 MAX.
 - e. LETTERING SHALL BE 0.15 MAX RAISED IN 0.25 MAX RECESS PAD. THIS INCLUDES RECYCLING CODE, CAVITY ID, VENDOR IDENTIFICATION.
 - f. VISUAL DEFECTS SHALL MEET COSMETIC STANDARD PS-45499-002 (Class B)

INSPECTION NUMBER LOG
LAST NUMBER USED:
ADDED:
REMOVED:

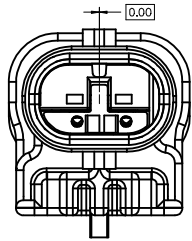
REV	DESCRIPTION
A14	CORRECTED CHARTED DIMENSION 3 FOR 1x3 11MM CLIP-SLOT
A13	1x3 KEY A&B SALEABLE (NON 40G)
A12	1x2 KEYS A&B W/ WDC SALEABLE
A11	CORRECTED REVISION LOG
A10	1x2,1x3 WIRE DRESS FEATURES OK TO TOOL
A9	1x2,1x3 PART # STATUS UPDATED
A8	1x2 40G CLIP-SLOT OK TO TOOL
A7	1x2,1x3 PART # UPDATED TO "TOOLED BUT NOT VALIDATED"
A6	ADDED 40G CLIP-SLOT PART NUMBERS
A5	BOM CORRECTIONS AND UPDATES
A4	BOM CORRECTIONS AND UPDATES
A3	1x2, 1x3 NON-SIR PART# OK TO TOOL
A2	ADDED 1x3 11mm CLIP-SLOT PART #
A	ADDED BLACK PART# AND MINOR BOM UPDATES
6	ADDED CLIP SLOT CONFIGURATIONS
5	1x3 BOM UPDATED
4	1x3 INLINE ASSY VIEWS ADDED
3	MINOR BOM CORRECTIONS
2	UPDATED PACKAGING DIMENSIONS
1	INITIAL RELEASE

1x3 VIEWS ADDED EC NO: UAU2016-1535 DRAWING: ANBR012016/04/15 CHKD: APPR: IKOSHY 2016/04/15	QUALITY SYMBOLS	GENERAL TOLERANCES (UNLESS SPECIFIED)	DIMENSION STYLE	SCALE	DESIGN UNITS	THIRD ANGLE PROJECTION	
	▽=0	4 PLACES ±--- ±---	MM ONLY	4:1	METRIC	☉	
	▽=0	3 PLACES ±--- ±---	mm INCH	DRAWN BY SKRAJENDRANA 2013/11/06			TITLE
	▽=0	2 PLACES ±0.10 ±---	DRAFT WHERE APPLICABLE MUST REMAIN WITHIN DIMENSIONS	CHECKED BY			12MM 1X2, 1X3 BLADE SEALED ASSEMBLY CABLE SEAL
	1 PLACE ±0.20 ±---		APPROVED BY			molex	
	0 PLACE ±0.50 ±---					DOCUMENT NO. SD-34899-0001	
						SHEET NO. 1 OF 11	
						THIS DRAWING CONTAINS INFORMATION THAT IS PROPRIETARY TO MOLEX INCORPORATED AND SHOULD NOT BE USED WITHOUT WRITTEN PERMISSION	

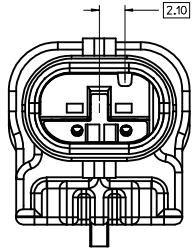
1x2 BLADE SEALED ASSEMBLY KEYING CONFIGURATIONS. FOR PART NUMBERS REFER TO BOM SHEET.



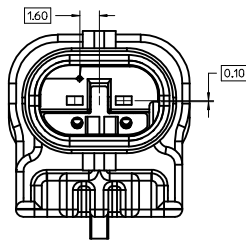
KEYING OPTION A



KEYING OPTION B



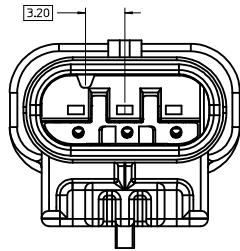
KEYING OPTION C



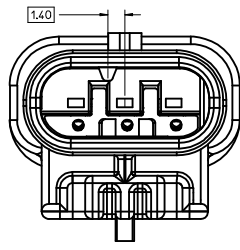
KEYING OPTION E

1x3 VIEWS ADDED EC NO: UAU2016-1535 DRAWN: VANSIAMBROU/2016/04/15 CHKD: APPR: VKOSHY 2016/04/15 REV:	QUALITY SYMBOLS	GENERAL TOLERANCES (UNLESS SPECIFIED)	DIMENSION STYLE	SCALE	DESIGN UNITS	THIRD ANGLE PROJECTION
	▽=0	mm INCH	MM ONLY	5:1	METRIC	☉
	▽=0	4 PLACES ± --- ± --- 3 PLACES ± --- ± --- 2 PLACES ± 0.10 ± --- 1 PLACE ± 0.20 ± --- 0 PLACE ± 0.50 ±	DRAWN BY DATE SKRAJENDRANA 2013/11/06	CHECKED BY DATE	TITLE 12MM 1X2, 1X3 BLADE SEALED ASSEMBLY CABLE SEAL	
	▽=0	ANGULAR ± 3 ° DRAFT WHERE APPLICABLE MUST REMAIN WITHIN DIMENSIONS	APPROVED BY DATE	MATERIAL NO. SEE BOM	DOCUMENT NO. SD-34899-2001	SHEET NO. 2 OF 11
SIZE D			THIS DRAWING CONTAINS INFORMATION THAT IS PROPRIETARY TO MOLEX INCORPORATED AND SHOULD NOT BE USED WITHOUT WRITTEN PERMISSION			

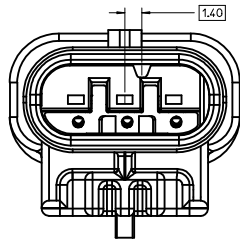
1x3 BLADE SEALED ASSEMBLY KEYING CONFIGURATIONS. FOR PART NUMBERS REFER TO BOM SHEET.



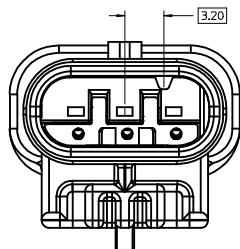
KEYING OPTION A



KEYING OPTION B



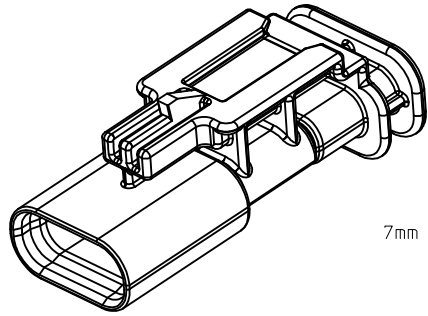
KEYING OPTION C



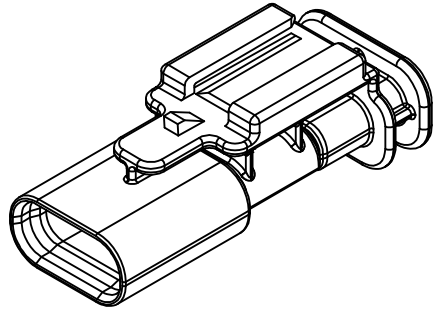
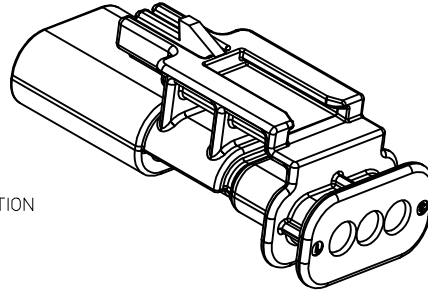
KEYING OPTION D

1x3 VIEWS ADDED DEC NO: UAU2016-1535 DRAWN: WANSIAMBROU 2016/04/15 CHKD: APPR: VKOSHY 2016/04/15 REVISIONS	QUALITY SYMBOLS	GENERAL TOLERANCES (UNLESS SPECIFIED)	DIMENSION STYLE	SCALE	DESIGN UNITS	THIRD ANGLE PROJECTION
	▽=0	4 PLACES ± mm ± INCH	MM ONLY	5:1	METRIC	☉
	▽=0	3 PLACES ± 0.10 ± 0.004				
	▽=0	2 PLACES ± 0.20 ± 0.008				
		ANGULAR ± 3 °				
		DRAFT WHERE APPLICABLE MUST REMAIN WITHIN DIMENSIONS				
			MATERIAL NO.		DOCUMENT NO.	SHEET NO.
			SEE BOM		SD-34899-2001	3 OF 11
			THIS DRAWING CONTAINS INFORMATION THAT IS PROPRIETARY TO MOLEX INCORPORATED AND SHOULD NOT BE USED WITHOUT WRITTEN PERMISSION			

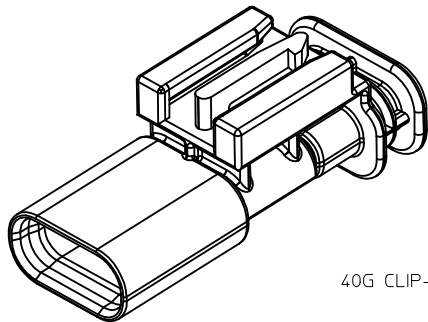
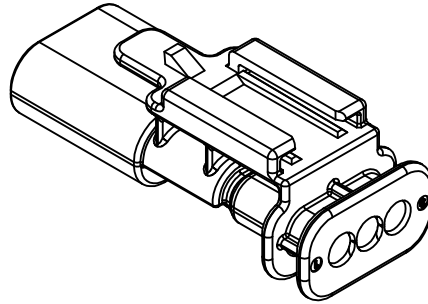
CLIP-SLOT CONFIGURATIONS. FOR PART NUMBERS REFER TO BOM SHEET.



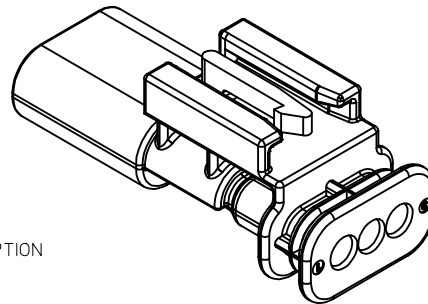
7mm CLIP-SLOT OPTION



11mm CLIP-SLOT OPTION

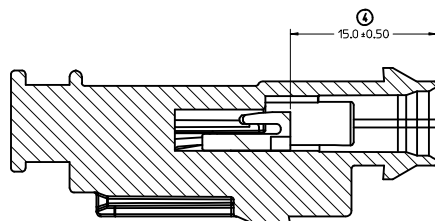
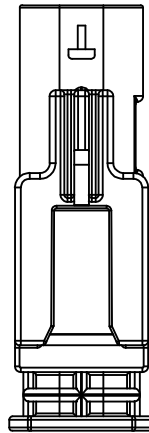
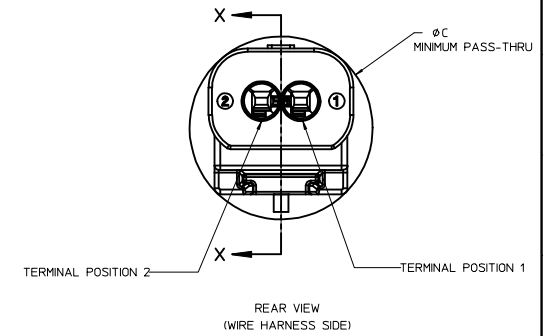
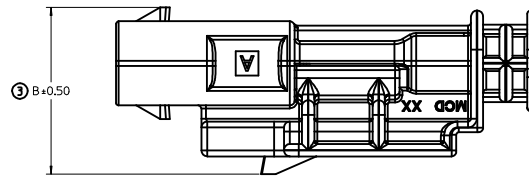
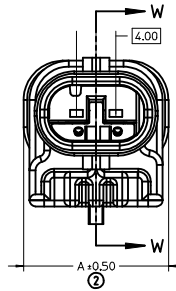
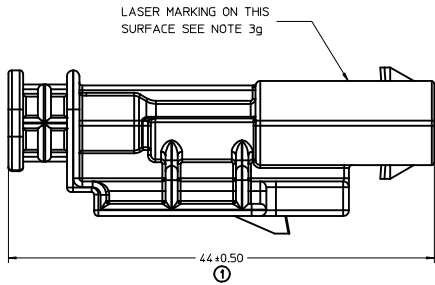


40G CLIP-SLOT OPTION



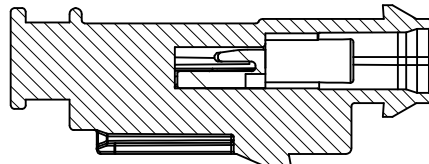
ENTER DESCRIPTION ELEC NO: UAU2016-1535 DRAWN/ANSI: AMBROU/2016/04/15 CHKD: APPR: VKOSHY 2016/04/15 REV:	QUALITY SYMBOLS	GENERAL TOLERANCES (UNLESS SPECIFIED)	DIMENSION STYLE	SCALE	DESIGN UNITS	THIRD ANGLE PROJECTION
	▽=0	mm INCH	MM ONLY	4:1	METRIC	☉
	▽=0	4 PLACES ± --- ± ---	DRAWN BY	DATE	TITLE	12MM 1X2, 1X3 BLADE SEALED ASSEMBLY CABLE SEAL molex
	▽=0	3 PLACES ± --- ± ---	SKRA JENDRANA	2013/11/06	DATE	
▽=0	2 PLACES ± 0.10 ± ---	CHECKED BY	DATE	APPROVED BY	DATE	DOCUMENT NO.
	1 PLACE ± 0.20 ± ---					SD-34899-2001
	0 PLACE ± 0.50 ±	ANGULAR ± 3 °	MATERIAL NO.	SEE BOM		SHEET NO.
		DRAFT WHERE APPLICABLE MUST REMAIN WITHIN DIMENSIONS	SIZE	D THIS DRAWING CONTAINS INFORMATION THAT IS PROPRIETARY TO MOLEX INCORPORATED AND SHOULD NOT BE USED WITHOUT WRITTEN PERMISSION		4 OF 11

BLADE SEALED ASSEMBLY



PRIMARY LOCK REINFORCEMENT (PLR) SHOWN IN THE PRE-STAGED POSITION

SECTION W-W



PRIMARY LOCK REINFORCEMENT (PLR) SHOWN IN THE FINAL-LOCK POSITION

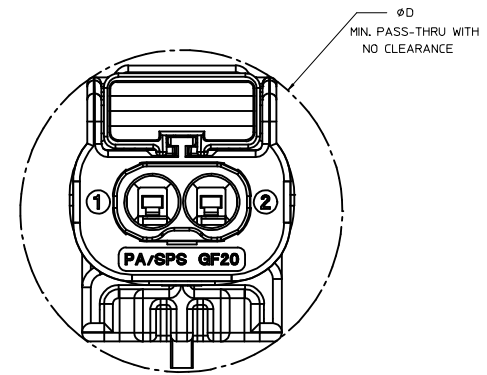
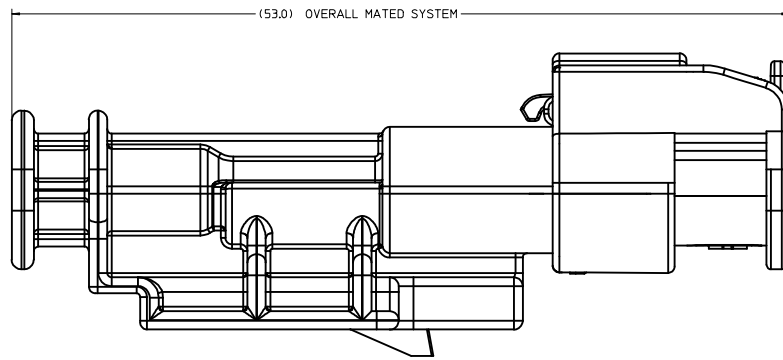
SECTION X-X

1x3 BLADE SEALED ASSEMBLY, 40G CLIP SLOT	19	16.75	21.75
1x3 BLADE SEALED ASSEMBLY, 11mm CLIP SLOT	19	14.6	20.75
1x3 BLADE SEALED ASSEMBLY, 7mm CLIP SLOT	19	17	20.5
1x2 BLADE SEALED ASSEMBLY, 40G CLIP SLOT	15	16.75	20.25
1x2 BLADE SEALED ASSEMBLY, 11mm CLIP SLOT	15	15.5	19
1x2 BLADE SEALED ASSEMBLY, 7mm CLIP SLOT	15	17	18.75
CONFIGURATION	A	B	C

CHARTED DIMENSIONS

1x3 VIEWS ADDED EC NO. UAI/2016-1535 DRAWN/ANSL/AMBROU/2016/04/15 CHKD: APPR:VKOSHY REV:	QUALITY SYMBOLS ∇=0 ∇=0 ∇=0	GENERAL TOLERANCES (UNLESS SPECIFIED) mm INCH 4 PLACES ± --- ± --- 3 PLACES ± --- ± --- 2 PLACES ± 0.10 ± --- 1 PLACE ± 0.20 ± --- 0 PLACE ± 0.50 ±	DIMENSION STYLE MM ONLY SCALE 4:1 DESIGN UNITS METRIC THIRD ANGLE PROJECTION	DRAWN BY SKRAJENDRANA DATE 2013/11/06 CHECKED BY DATE	TITLE 12MM 1X2, 1X3 BLADE SEALED ASSEMBLY CABLE SEAL molex	MATERIAL NO. SEE BOM DOCUMENT NO. SD-34899-2001	SHEET NO. 5 OF 11
	DRAFT WHERE APPLICABLE MUST REMAIN WITHIN DIMENSIONS	ANGULAR ± 3 °	SIZE D	THIS DRAWING CONTAINS INFORMATION THAT IS PROPRIETARY TO MOLEX INCORPORATED AND SHOULD NOT BE USED WITHOUT WRITTEN PERMISSION			

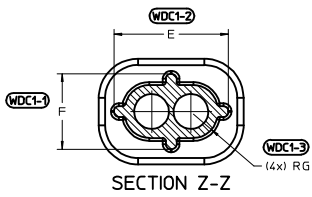
CONNECTION SYSTEM PACKAGING



1x3 RECEPTACLE MATED TO 1x3 BLADE, 40 CLIP SLOT	TBD
1x3 RECEPTACLE MATED TO 1x3 BLADE, 11mm CLIP SLOT	24.0
1x3 RECEPTACLE MATED TO 1x3 BLADE, 7mm CLIP SLOT	23.0
1x2 RECEPTACLE MATED TO 1x2 BLADE, 40G CLIP SLOT	23.0
1x2 RECEPTACLE MATED TO 1x2 BLADE, 11mm CLIP SLOT	23.0
1x2 RECEPTACLE MATED TO 1x2 BLADE, 7mm CLIP SLOT	23.0
1.2mm CONNECTION SYSTEM CONFIGURATION	D

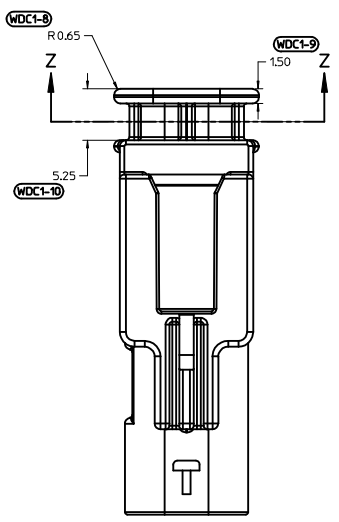
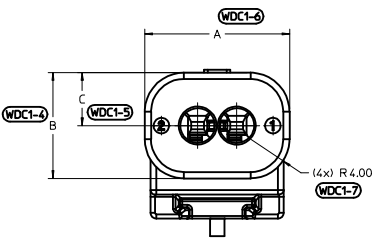
CHARTED DIMENSIONS

ENTER DESCRIPTION ELEC NO: UAU2016-1535 DRAWN/ANSI/AMBUOJ/2016/04/15 CHKD: APPR: IKOSHY 2016/04/15 REV:	QUALITY SYMBOLS	GENERAL TOLERANCES (UNLESS SPECIFIED)	DIMENSION STYLE	SCALE	DESIGN UNITS	THIRD ANGLE PROJECTION
	$\nabla=0$ $\nabla=0$ $\nabla=0$	mm INCH 4 PLACES ± --- ± --- 3 PLACES ± --- ± --- 2 PLACES ± 0.10 ± --- 1 PLACE ± 0.20 ± --- 0 PLACE ± 0.50 ±	MM ONLY	6:1	METRIC	SKRA JENDRANA 2013/11/06 SKRA JENDRANA 2013/11/06 DATE DATE APPROVED BY
	ANGULAR ± 3 ° DRAFT WHERE APPLICABLE MUST REMAIN WITHIN DIMENSIONS	MATERIAL NO. SEE BOM	TITLE 12MM 1X2, 1X3 BLADE SEALED ASSEMBLY CABLE SEAL	DOCUMENT NO. SD-34899-2001	SHEET NO. 6 OF 11	
	SIZE D	THIS DRAWING CONTAINS INFORMATION THAT IS PROPRIETARY TO MOLEX INCORPORATED AND SHOULD NOT BE USED WITHOUT WRITTEN PERMISSION				

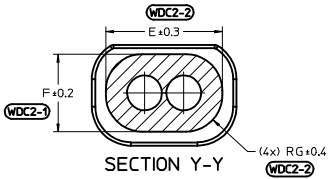


3 CIRCUIT	18.8	10.8	5.4	15.7	7.7	2.45
2 CIRCUIT	14.8	10.8	5.4	11.7	7.7	2.45
CONFIGURATION	A	B	C	E	F	G

CHARTED DIMENSIONS

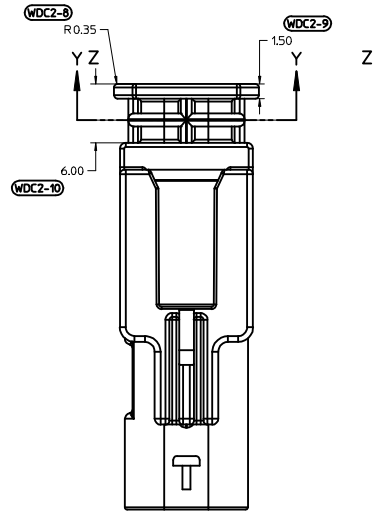
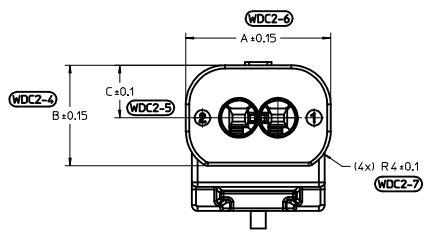


WIRE DRESS COVER
INTERFACE OPTION 1
WIRE DRESS COVERS
NOT AVAILABLE



3 CIRCUIT	18.8	10.8	5.4	15.9	7.9	3.7
2 CIRCUIT	14.8	10.3	5.4	11.9	7.9	3.7
CONFIGURATION	A	B	C	E	F	G

CHARTED DIMENSIONS



WIRE DRESS COVER
INTERFACE OPTION 2
BASED ON HIRSCHMANN INTERFACE
DRAWING 808-012-xxx REV B5

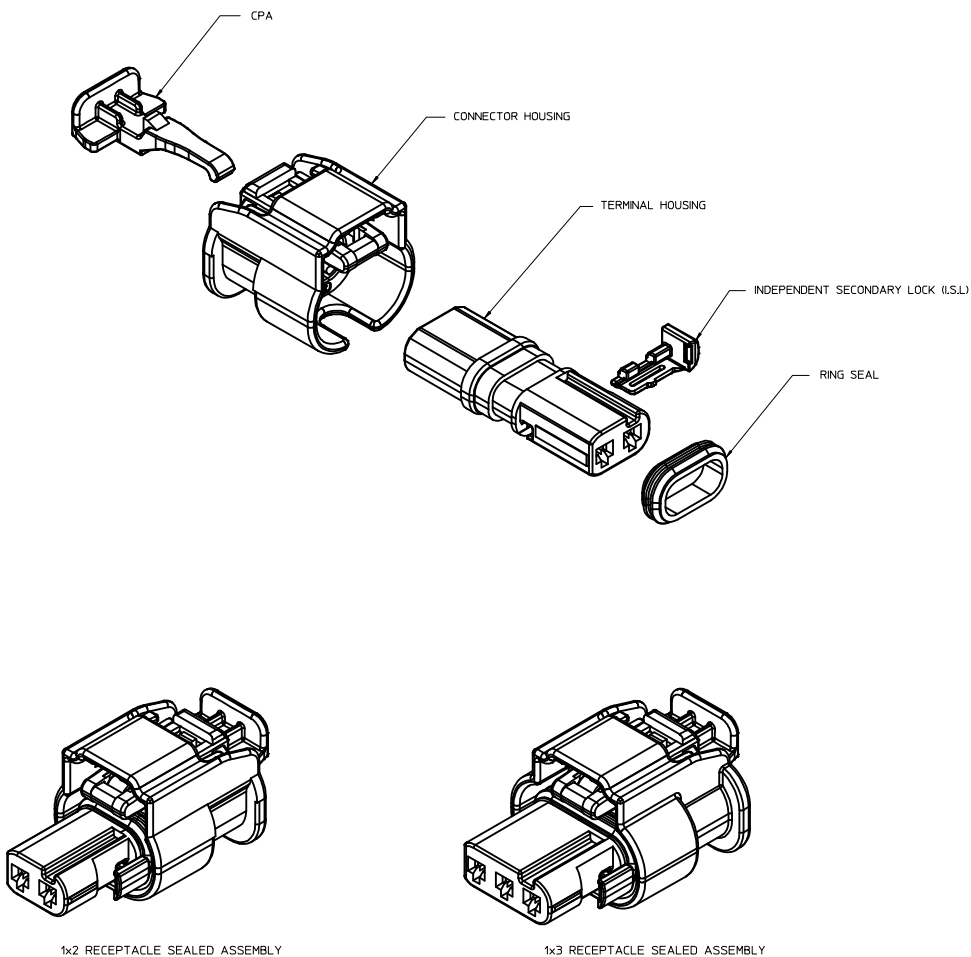
ENTER DESCRIPTION IEC NO. UAU2016-1535 DRAWING NO. AMBROU 2016/04/15 CHKD: APPR: VOSHY 2016/04/15 A14	QUALITY SYMBOLS	GENERAL TOLERANCES (UNLESS SPECIFIED)	DIMENSION STYLE	SCALE	DESIGN UNITS	THIRD ANGLE PROJECTION
	▽=0	mm INCH	MM ONLY	4:1	METRIC	☉
	▽=0	4 PLACES ± --- ± ---	DRAWN BY	DATE	TITLE	
	▽=0	3 PLACES ± --- ± ---	SKRA JENDRANA 2013/11/06	DATE	12MM 1X2, 1X3 BLADE SEALED ASSEMBLY CABLE SEAL	
	2 PLACES ± 0.10 ± ---	APPROVED BY	DATE			
	1 PLACE ± 0.20 ± ---					
	0 PLACE ± 0.50 ±					
	ANGULAR ± 3 °	MATERIAL NO.				
	DRAFT WHERE APPLICABLE MUST REMAIN WITHIN DIMENSIONS	SEE TABLE				
		SIZE D	THIS DRAWING CONTAINS INFORMATION THAT IS PROPRIETARY TO MOLEX INCORPORATED AND SHOULD NOT BE USED WITHOUT WRITTEN PERMISSION			

molex

DOCUMENT NO. SD-34899-2001 SHEET NO. 7 OF 11

TABLE OF CONTENTS

SHEET NO.	SHEET DESCRIPTION
1	NOTES
2	1x2 RECEPTACLE SEALED ASSEMBLY KEYING CONFIGURATIONS
3	1x3 RECEPTACLE SEALED ASSEMBLY KEYING CONFIGURATIONS
4	RECEPTACLE SEALED ASSEMBLY
5	1x2 RECEPTACLE SEALED ASSEMBLY BOM SHEET 1
6	1x3 RECEPTACLE SEALED ASSEMBLY BOM SHEET 1



NOTES: VALID UNLESS OTHERWISE SPECIFIED

1. GENERAL:
a. APPLICATION SPECIFICATION SEE: AS-34900-0001
 CONTAINS: PRODUCT INTRODUCTION, PRODUCT SUMMARY, CONNECTOR ASSEMBLY, PACKAGING INFORMATION, CONNECTOR MATING, SERVICE INSTRUCTIONS, ELECTRICAL CONTINUITY CHECKING, CRIMPING, AND TROUBLESHOOTING.
b. PRODUCT SPECIFICATION SEE: PS-34900-0001
 CONTAINS: PRODUCT INTRODUCTION, PRODUCT SUMMARY, RATINGS (CURRENT, TEMPERATURE, SEALING, AND FLAMMABILITY), AND PRODUCT VALIDATION.
c. PACKAGING SPECIFICATION PER MOLEX DRAWING: PK-31301-898
d. PARTS MUST BE IN COMPLIANCE TO MOLEX CHEMICAL SUBSTANCES FOR PRODUCTS AND PACKAGING SPECIFICATION: ES-40000-5016
e. DATA MUST BE SUBMITTED UNDER THE MOLEX PART NUMBER TO IMDS (COMPANY ID#13255)
f. DESIGNED TO MATE WITH DEVICE CONNECTION AS SPECIFIED IN BOM CHART. USCAR DRAWINGS AND MODELS ARE AVAILABLE AT <http://ewcapuscarteams.org/>.

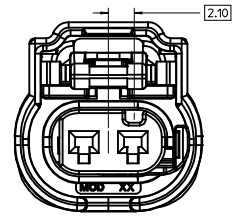
2. DESIGN - MATERIALS:
a. SEE BOM TABLE

3. DESIGN - GEOMETRY:
a. THIS IS A 100% CAD GENERATED PART. THE CAD MATHEMATICAL DATA IS THE MASTER FOR THIS PART. FOR DIMENSIONAL OR ANY INFORMATION NOT SHOWN ON THIS DRAWING, ANALYZE THE CAD MODEL.
b. GEOMETRIC DIMENSIONS AND TOLERANCES PER ASME Y14.5M - 1994
c. EDGES AND UNDIMENSIONED DETAILS PER ISO13715
d. CORNERS SHOWN AS SHARP TO BE R 0.2 MAX.
e. LETTERING SHALL BE 0.15 MAX RAISED IN 0.25 MAX RECESS PAD. THIS INCLUDES RECYCLING CODE, CAVITY ID, VENDOR IDENTIFICATION, AND CUSTOMER MATERIAL NUMBER.
f. VISUAL DEFECTS SHALL MEET COSMETIC STANDARD PS-45499-002 (Class B) AND LASER MARKING:
 1. PART NUMBER
 2. DAY OF THE YEAR
 3. SHIFT
 4. YEAR

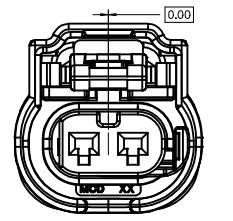
REV	DESCRIPTION
C	34900-3127 RELEASED AS SALEABLE
B	PRIMARY KEYS (A,B) MOVED TO SALEABLE
A10	ADDED 1X3 SEVERE VIBRATION PART NUMBER
A9	1X2 AND 1X3 PART # STATUS UPDATED DIMENSION 2 UPDATED
A8	1X2 PART # UPDATED TO *TOOLED BUT NOT VALIDATED*
A7	1X2 PART # UPDATED TO *TOOLED BUT NOT VALIDATED*
A6	ADDED NEW PART NUMBERS FOR LATCH IMPROVEMENT
A5	BOM CORRECTIONS AND UPDATES
A4	BOM CORRECTIONS AND UPDATES
A3	1x2, 1x3 NON-SIR OK TO TOOL
A2	MINOR BOM CORRECTIONS
A1	ADDED COMPONENTS TO BOM
A	ADDED BLACK PART NUMBERS AND MINOR BOM UPDATES
3	ADDED 1x3
2	MINOR BOM CORRECTIONS
1	INITIAL RELEASE

ENTER DESCRIPTION EC NO: VAL2017-0205 DRWN: PATE01 2016/09/07 CHKD: APPR: KOZEKSKI 2016/09/13	QUALITY SYMBOLS ∇=0 ∇=0 ∇=0	GENERAL TOLERANCES (UNLESS SPECIFIED) <table border="1"> <thead> <tr> <th></th> <th>mm</th> <th>INCH</th> </tr> </thead> <tbody> <tr> <td>4 PLACES</td> <td>±.00</td> <td>±.00</td> </tr> <tr> <td>3 PLACES</td> <td>±.01</td> <td>±.00</td> </tr> <tr> <td>2 PLACES</td> <td>±.02</td> <td>±.00</td> </tr> <tr> <td>1 PLACE</td> <td>±.05</td> <td>±.00</td> </tr> <tr> <td>0 PLACE</td> <td>±.10</td> <td>±.00</td> </tr> </tbody> </table> ANGULAR ± 3 ° DRAFT WHERE APPLICABLE MUST REMAIN WITHIN DIMENSIONS		mm	INCH	4 PLACES	±.00	±.00	3 PLACES	±.01	±.00	2 PLACES	±.02	±.00	1 PLACE	±.05	±.00	0 PLACE	±.10	±.00	DIMENSION STYLE MM ONLY DRAWN BY: MYANSLAMBROU 2012/02/15 CHECKED BY: DATE APPROVED BY: GGA 2012/12/13 DATE	SCALE: 4:1 DESIGN UNITS: METRIC THIRD ANGLE PROJECTION	TITLE: 12MM 1X2, 1X3 RECP. SEALED ASSEMBLY CABLE SEAL molex DOCUMENT NO: SD-34900-0001 SHEET NO: 1 OF 6
		mm	INCH																				
	4 PLACES	±.00	±.00																				
	3 PLACES	±.01	±.00																				
2 PLACES	±.02	±.00																					
1 PLACE	±.05	±.00																					
0 PLACE	±.10	±.00																					
THIS DRAWING CONTAINS INFORMATION THAT IS PROPRIETARY TO MOLEX INCORPORATED AND SHOULD NOT BE USED WITHOUT WRITTEN PERMISSION																							
SIZE: D																							
MATERIAL NO: SEE TABLE																							

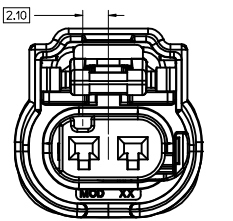
1x2 RECEPTACLE SEALED ASSEMBLY KEYING CONFIGURATIONS. FOR PART NUMBERS REFER TO BOM SHEET.



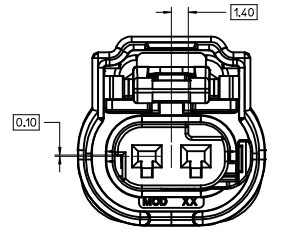
KEYING OPTION A



KEYING OPTION B



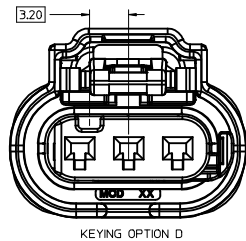
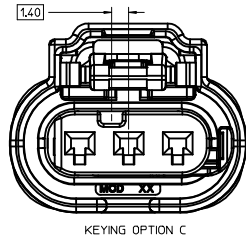
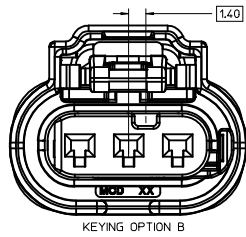
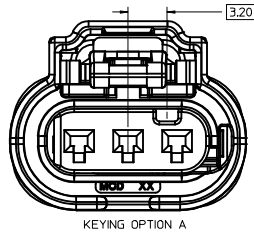
KEYING OPTION C



KEYING OPTION E

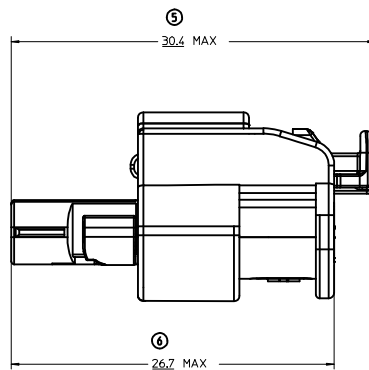
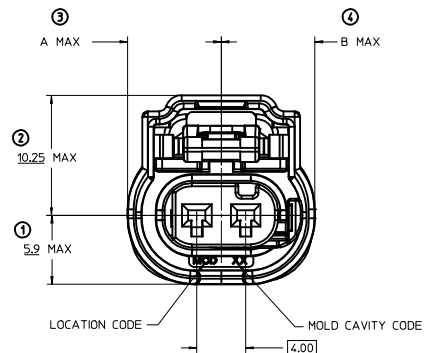
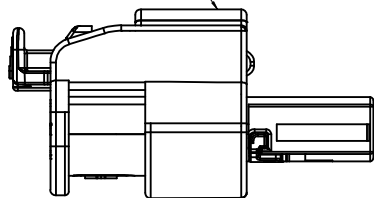
ENTER DESCRIPTION IEC NO: UAU2017-0205 DRAWN/PATE01 2016/09/07 CHKD: APPR:KIEKOSKI 2016/09/13	QUALITY SYMBOLS	GENERAL TOLERANCES (UNLESS SPECIFIED)	DIMENSION STYLE	SCALE	DESIGN UNITS	THIRD ANGLE PROJECTION	
	▽=0	4 PLACES ± mm ± INCH	MM ONLY	5:1	METRIC	☉	
	▽=0	3 PLACES ± 0.10 ±					
	▽=0	1 PLACE ± 0.20 ±					
		0 PLACE ± 0.50 ±					
		ANGULAR ± 3 °					
		DRAFT WHERE APPLICABLE MUST REMAIN WITHIN DIMENSIONS					
			DRAWN BY	DATE	TITLE		
			MYANSLAMBROU	2012/02/15	12MM 1X2. 1X3 RECP.T. SEALED ASSEMBLY CABLE SEAL		
			CHECKED BY	DATE			
			APPROVED BY	DATE			
			GGA	2012/12/13			
			MATERIAL NO.	DOCUMENT NO.			
			SEE BOM	SD-34900-2001			
			SIZE			SHEET NO.	
			D			2 OF 6	
			THIS DRAWING CONTAINS INFORMATION THAT IS PROPRIETARY TO MOLEX INCORPORATED AND SHOULD NOT BE USED WITHOUT WRITTEN PERMISSION				

1x3 RECEPTACLE SEALED ASSEMBLY KEYING CONFIGURATIONS. FOR PART NUMBERS REFER TO BOM SHEET.

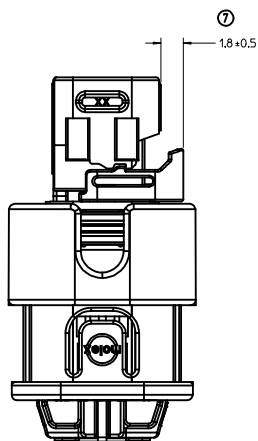
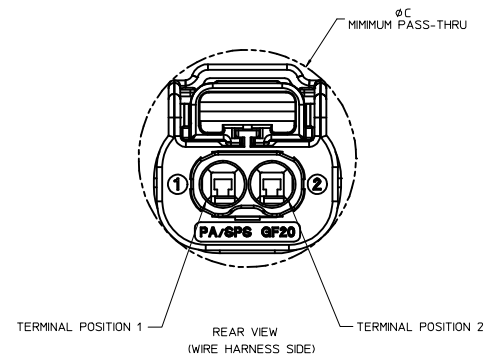


ENTER DESCRIPTION IEC NO: UAU2017-0205 DRAWN/PATE01 2016/09/07 CHKD: APPR:KIEKSKI 2016/09/13	QUALITY SYMBOLS	GENERAL TOLERANCES (UNLESS SPECIFIED)	DIMENSION STYLE	SCALE	DESIGN UNITS	THIRD ANGLE PROJECTION	
	▽=0	4 PLACES ± mm ± INCH	MM ONLY	5:1	METRIC	☉	
	▽=0	3 PLACES ± 0.10 ± ---					
	▽=0	2 PLACES ± 0.20 ± ---					
		ANGULAR ± 3 °					
		DRAFT WHERE APPLICABLE MUST REMAIN WITHIN DIMENSIONS					
			DRAWN BY	DATE	TITLE		
			MYANSLAMBROU	2012/02/15	12MM 1X2. 1X3 RECPT. SEALED ASSEMBLY CABLE SEAL		
			CHECKED BY	DATE			
			APPROVED BY	DATE			
			GGA	2012/12/13			
			MATERIAL NO.		DOCUMENT NO.	SHEET NO.	
			SEE BOM		SD-34900-2001	3 OF 6	
			THIS DRAWING CONTAINS INFORMATION THAT IS PROPRIETARY TO MOLEX INCORPORATED AND SHOULD NOT BE USED WITHOUT WRITTEN PERMISSION				

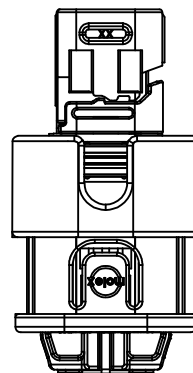
LASER MARKING ON THIS SURFACE SEE NOTE 3g



RECEPTACLE SEALED ASSEMBLY



INDEPENDENT SECONDARY LOCK (ISL) SHOWN IN THE PRE-STAGED POSITION



INDEPENDENT SECONDARY LOCK (ISL) SHOWN IN THE FINAL-LOCK POSITION

1x3 RECEPTACLE SEALED ASSEMBLY	10.0	10.0	20.75
1x2 RECEPTACLE SEALED ASSEMBLY	8.0	8.0	18.75
CONFIGURATION	A	B	C

CHARTED DIMENSIONS

ENTER DESCRIPTION EC NO: UAU2017-0205 DRAWN: PATE01 2016/09/07 CHKD: APPR: KIEGSKI 2016/09/13 REV:	QUALITY SYMBOLS	GENERAL TOLERANCES (UNLESS SPECIFIED)	DIMENSION STYLE	SCALE	DESIGN UNITS	THIRD ANGLE PROJECTION
	▽=0	mm INCH	MM ONLY	5:1	METRIC	
	▽=0	4 PLACES ± --- ± ---	DRAWN BY	DATE	TITLE	
	▽=0	3 PLACES ± --- ± ---	MYANSLAMBROU	2012/02/15	12MM 1X2, 1X3 RECPCT. SEALED ASSEMBLY CABLE SEAL	
		ANGULAR ± 3 °	CHECKED BY	DATE		
		DRAFT WHERE APPLICABLE MUST REMAIN WITHIN DIMENSIONS	APPROVED BY	DATE		
			GGA	2012/12/13		
			MATERIAL NO.	DOCUMENT NO.		
			SEE BOM	SD-34900-2001		
			SIZE			SHEET NO.
			D			4 OF 6

1X2 RECEPTACLE SEALED ASSEMBLY BOM SHEET 1

KEYING OPTION E, BLACK	34900-2123	-40 TO 155	4			CHB		E	TOOLED BUT NOT VALIDATED	1	2	3
KEYING OPTION C, BLACK	34900-2122	-40 TO 155	4			CHB		C	TOOLED BUT NOT VALIDATED	1	2	3
KEYING OPTION B, BLACK	34900-2121	-40 TO 155	4			CHB	B		SALEABLE	1	2	3
KEYING OPTION A, BLACK	34900-2120	-40 TO 155	4			CHB	A		SALEABLE	1	2	3
KEYING OPTION E, YELLOW	34900-2104	-40 TO 125	2			CHY		E	TOOLED BUT NOT VALIDATED	1	2	3
KEYING OPTION C, YELLOW	34900-2103	-40 TO 125	2			CHY		C	TOOLED BUT NOT VALIDATED	1	2	3
KEYING OPTION B, YELLOW	34900-2102	-40 TO 125	2			CHY	B		SALEABLE	1	2	3
KEYING OPTION A, YELLOW	34900-2101	-40 TO 125	2			CHY	A		SALEABLE	1	2	3
KEYING OPTION E, BLACK	34900-2023	-40 TO 125	2			CHB		E	OBSOLETE	1	2	3
KEYING OPTION C, BLACK	34900-2022	-40 TO 125	2			CHB		C	OBSOLETE	1	2	3
KEYING OPTION B, BLACK	34900-2021	-40 TO 125	2			CHB	B		OBSOLETE	1	2	3
KEYING OPTION A, BLACK	34900-2020	-40 TO 125	2			CHB	A		OBSOLETE	1	2	3
KEYING OPTION E, YELLOW	34900-2004	-40 TO 125	2			CHY		E	OBSOLETE	1	2	3
KEYING OPTION C, YELLOW	34900-2003	-40 TO 125	2			CHY		C	OBSOLETE	1	2	3
KEYING OPTION B, YELLOW	34900-2002	-40 TO 125	2			CHY	B		SALEABLE	1	2	3
KEYING OPTION A, YELLOW	34900-2001	-40 TO 125	2			CHY	A		SALEABLE	1	2	3
ASSEMBLY DESCRIPTION	PART NUMBER	OPERATING TEMPERATURE	VIBRATION CLASS PER GMW3191 DEC. 2007			A	B	C	E	STATUS	COMMENTS	DESIGNED TO MATE WITH DEVICE CONNECTION

RING SEAL	BURNT RED	INHERENTLY LUBRICATED SILICONE	
ISL	NATURAL	SPS/NYLON GF20	
CPA	RED	FBT GF30	
TERMINAL HOUSING KEYING OPTION E	STONE GRAY	SPS/NYLON GF20	
TERMINAL HOUSING KEYING OPTION C	DARK GRAY	SPS/NYLON GF20	
TERMINAL HOUSING KEYING OPTION B	LT. GRAY	SPS/NYLON GF20	
TERMINAL HOUSING KEYING OPTION A	BLACK	SPS/NYLON GF20	
CONNECTOR HOUSING	BLACK	SPS/NYLON GF20	UPDATED LATCH
CONNECTOR HOUSING	YELLOW	SPS/NYLON GF20	UPDATED LATCH
CONNECTOR HOUSING	BLACK	SPS/NYLON GF20	
CONNECTOR HOUSING	YELLOW	SPS/NYLON GF20	
DESCRIPTION	COLOR	MATERIAL	COMMENTS

BOM/APPLICABLE COMPONENTS TABLE

ABBREVIATION	COMPONENT
CHY	CONNECTOR HOUSING YELLOW
CHB	CONNECTOR HOUSING BLACK
A	TERMINAL HOUSING KEY A
B	TERMINAL HOUSING KEY B
C	TERMINAL HOUSING KEY C
E	TERMINAL HOUSING KEY E
CPA	CPA
ISL	ISL
R	RING SEAL
1	USCAR INTERFACE 120-5-002-1-Z01 SEE NOTE 1F FOR WEBSITE
2	MOLEX INLINE BLADE CONNECTOR E-34899-2001
3	USCAR INTERFACE 120-5-002-1-Z02 SEE NOTE 1F FOR WEBSITE

ENTER DESCRIPTION EC NO: UAU2017-0205 DRAWN: PATE01 2016/09/07 CHKD: APPR: K0EKO SKI 2016/09/13 REV	QUALITY SYMBOLS ▽=0 ▽=0 ▽=0	GENERAL TOLERANCES (UNLESS SPECIFIED): 4 PLACES ± --- INCH 3 PLACES ± --- INCH 2 PLACES ± 0.10 1 PLACE ± 0.20 0 PLACE ± 0.50 ANGULAR ± 3 ° DRAFT WHERE APPLICABLE MUST REMAIN WITHIN DIMENSIONS	DIMENSION STYLE MM ONLY	SCALE 2:1	DESIGN UNITS METRIC	THIRD ANGLE PROJECTION
			DRAWN BY MYANSLAMBROU 2012/02/15	DATE	CHECKED BY DATE	TITLE 12MM 1X2. 1X3 RECPT. SEALED ASSEMBLY CABLE SEAL
MATERIAL NO. 999999999			DATE 2012/12/13	APPROVED BY GGA	DOCUMENT NO. SD-34900-2001	SHEET NO. 5 OF 6
THIS DRAWING CONTAINS INFORMATION THAT IS PROPRIETARY TO MOLEX INCORPORATED AND SHOULD NOT BE USED WITHOUT WRITTEN PERMISSION						

1X3 RECEPTACLE SEALED ASSEMBLY BOM SHEET 1

KEYING OPTION	PART NUMBER	OPERATING TEMPERATURE	VIBRATION CLASS PER GMW3191 DEC. 2007	A	B	C	D	E	F	G	H	I	J	K	L	M	N	O	P	Q	R	S	T	U	V	W	X	Y	Z	
KEYING OPTION D, STONE GRAY	34900-3127	-40 TO 155	4																											
KEYING OPTION C, DARK GRAY	34900-3126	-40 TO 155	4																											
KEYING OPTION B, LIGHT GRAY	34900-3125	-40 TO 155	4																											
KEYING OPTION A, BLACK	34900-3124	-40 TO 155	4																											
KEYING OPTION D, STONE GRAY	34900-3123	-40 TO 125	2																											
KEYING OPTION C, DARK GRAY	34900-3122	-40 TO 125	2																											
KEYING OPTION B, LIGHT GRAY	34900-3121	-40 TO 125	2																											
KEYING OPTION A, BLACK	34900-3120	-40 TO 125	2																											
KEYING OPTION D, YELLOW	34900-3104	-40 TO 125	2																											
KEYING OPTION C, YELLOW	34900-3103	-40 TO 125	2																											
KEYING OPTION B, YELLOW	34900-3102	-40 TO 125	2																											
KEYING OPTION A, YELLOW	34900-3101	-40 TO 125	2																											
KEYING OPTION D, STONE GRAY	34900-3023	-40 TO 125	2																											
KEYING OPTION C, DARK GRAY	34900-3022	-40 TO 125	2																											
KEYING OPTION B, LIGHT GRAY	34900-3021	-40 TO 125	2																											
KEYING OPTION A, BLACK	34900-3020	-40 TO 125	2																											
KEYING OPTION D, YELLOW	34900-3004	-40 TO 125	2																											
KEYING OPTION C, YELLOW	34900-3003	-40 TO 125	2																											
KEYING OPTION B, YELLOW	34900-3002	-40 TO 125	2																											
KEYING OPTION A, YELLOW	34900-3001	-40 TO 125	2																											
ASSEMBLY DESCRIPTION	PART NUMBER	OPERATING TEMPERATURE	VIBRATION CLASS PER GMW3191 DEC. 2007	A	B	C	D	E	F	G	H	I	J	K	L	M	N	O	P	Q	R	S	T	U	V	W	X	Y	Z	

RING SEAL	LIGHT BLUE	INHERENTLY LUBRICATED SILICONE	
ISL	NATURAL	SPS/NYLON GF20	
CPA	RED	PBT GF30	
TERMINAL HOUSING KEYING OPTION D, V4	STONE GRAY	SPS/NYLON GF20	
TERMINAL HOUSING KEYING OPTION C, V4	DARK GRAY	SPS/NYLON GF20	
TERMINAL HOUSING KEYING OPTION B, V4	LT. GRAY	SPS/NYLON GF20	
TERMINAL HOUSING KEYING OPTION A, V4	BLACK	SPS/NYLON GF20	
TERMINAL HOUSING KEYING OPTION D	STONE GRAY	SPS/NYLON GF20	
TERMINAL HOUSING KEYING OPTION C	DARK GRAY	SPS/NYLON GF20	
TERMINAL HOUSING KEYING OPTION B	LT. GRAY	SPS/NYLON GF20	
TERMINAL HOUSING KEYING OPTION A	BLACK	SPS/NYLON GF20	
CONNECTOR HOUSING	BLACK	SPS/NYLON GF20	UPDATED LATCH
CONNECTOR HOUSING	YELLOW	SPS/NYLON GF20	UPDATED LATCH
CONNECTOR HOUSING	BLACK	SPS/NYLON GF20	
CONNECTOR HOUSING	YELLOW	SPS/NYLON GF20	
DESCRIPTION	COLOR	MATERIAL	COMMENTS

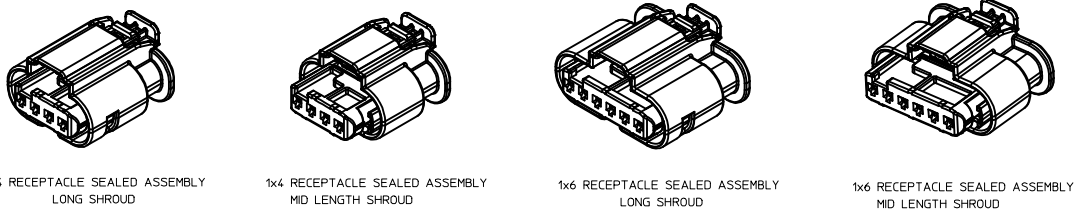
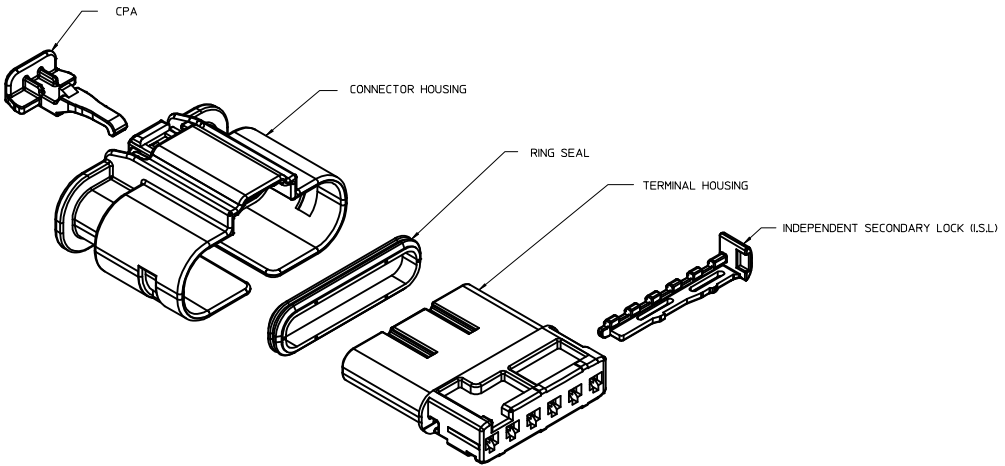
BOM/APPLICABLE COMPONENTS TABLE

ABBREVIATION	COMPONENT
CHY	CONNECTOR HOUSING YELLOW
CHB	CONNECTOR HOUSING BLACK
A	TERMINAL HOUSING KEY A
B	TERMINAL HOUSING KEY B
C	TERMINAL HOUSING KEY C
D	TERMINAL HOUSING KEY D
CPA	CPA
ISL	ISL
R	RING SEAL
1	USCAR INTERFACE 120-S-003-1-Z01 SEE NOTE 1f FOR WEBSITE
2	MOLEX INLINE BLADE CONNECTOR E-34899-2001
3	USCAR INTERFACE 120-S-003-1-Z02 SEE NOTE 1f FOR WEBSITE

ENTER DESCRIPTION IEC NO. UAU2017-0205 DRAWN/PAT01 2016/09/07 CHYD: APPR:KOEKSKL 2016/09/13 REV DESCRIPTION	QUALITY SYMBOLS ∇=0 ∇=0 ∇=0	GENERAL TOLERANCES (UNLESS SPECIFIED) mm INCH 4 PLACES ± --- ± --- 3 PLACES ± --- ± --- 2 PLACES ± 0.10 ± --- 1 PLACE ± 0.20 ± --- 0 PLACE ± 0.50 ± --- ANGULAR ± 3 ° DRAFT WHERE APPLICABLE MUST REMAIN WITHIN DIMENSIONS	DIMENSION STYLE MM ONLY DRAWN BY DATE MYANSLAMBROU 2012/02/15 CHECKED BY DATE APPROVED BY DATE GGA 2012/12/13	SCALE 5:1 DESIGN UNITS METRIC THIRD ANGLE PROJECTION	TITLE 12MM 1X2, 1X3 RECP.T. SEALED ASSEMBLY CABLE SEAL molex MATERIAL NO. 999999999 DOCUMENT NO. SD-34900-2001	SHEET NO. 6 OF 6
	THIS DRAWING CONTAINS INFORMATION THAT IS PROPRIETARY TO MOLEX INCORPORATED AND SHOULD NOT BE USED WITHOUT WRITTEN PERMISSION					

TABLE OF CONTENTS

SHEET NO.	SHEET DESCRIPTION
1	NOTES
2	1x4 RECEPTACLE SEALED ASSEMBLY KEYING CONFIGURATIONS
3	1x6 RECEPTACLE SEALED ASSEMBLY KEYING CONFIGURATIONS
4	RECEPTACLE SEALED ASSEMBLY
5	1x4 RECEPTACLE SEALED ASSEMBLY BOM SHEET
6	1x6 RECEPTACLE SEALED ASSEMBLY BOM SHEET



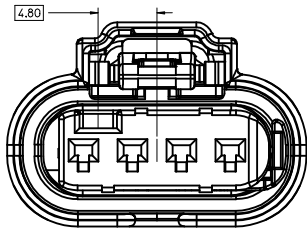
NOTES: VALID UNLESS OTHERWISE SPECIFIED

1. GENERAL:
 - a. APPLICATION SPECIFICATION SEE: AS-34900-0001
CONTAINS: PRODUCT INTRODUCTION, PRODUCT SUMMARY, CONNECTOR ASSEMBLY, PACKAGING INFORMATION, CONNECTOR MATING, SERVICE INSTRUCTIONS, ELECTRICAL CONTINUITY CHECKING, CRIMPING, AND TROUBLESHOOTING.
 - b. PRODUCT SPECIFICATION SEE: PS-34900-0001
CONTAINS: PRODUCT INTRODUCTION, PRODUCT SUMMARY, APPROVED TERMINALS, SINGLE WIRE SEALS, RATINGS (CURRENT, TEMPERATURE, SEALING, AND FLAMMABILITY), AND PRODUCT VALIDATION.
 - c. PACKAGING SPECIFICATION PER MOLEX DRAWING: PK-31301-898
 - d. PARTS MUST BE IN COMPLIANCE TO MOLEX CHEMICAL SUBSTANCES FOR PRODUCTS AND PACKAGING SPECIFICATIONS ES-40000-5016
 - e. DATA MUST BE SUBMITTED UNDER THE MOLEX PART NUMBER TO IMDS (COMPANY ID#13235)
 - f. DESIGNED TO MATE WITH DEVICE CONNECTION AS SPECIFIED IN BOM CHART USCAR INTERFACE DRAWINGS AND MODELS ARE AVAILABLE AT <http://ewcap.uscarteams.org/>.
2. DESIGN - MATERIALS:
 - a. SEE BOM TABLE
3. DESIGN - GEOMETRY:
 - a. THIS IS A 100% CAD GENERATED PART. THE CAD MATHEMATICAL DATA IS THE MASTER FOR THIS PART. FOR DIMENSIONAL OR ANY INFORMATION NOT SHOWN ON THIS DRAWING, ANALYZE THE CAD MODEL.
 - b. GEOMETRIC DIMENSIONS AND TOLERANCES PER ASME Y14.5M - 1994
 - c. EDGES AND UNDIMENSIONED DETAILS PER ISO13715
 - d. CORNERS SHOWN AS SHARP TO BE R 0.2 MAX
 - e. LETTERING SHALL BE 0.15 MAX RAISED IN 0.25 MAX RECESS PAD. THIS INCLUDES RECYCLING CODE, CAVITY ID, VENDOR IDENTIFICATION, AND CUSTOMER MATERIAL NUMBER.
 - f. VISUAL DEFECTS SHALL MEET COSMETIC STANDARD PS-45499-002 (Class B) CAD MODEL
- g. LASER MARKING:
 1. PART NUMBER
 2. DAY OF THE YEAR
 3. SHIFT
 4. YEAR

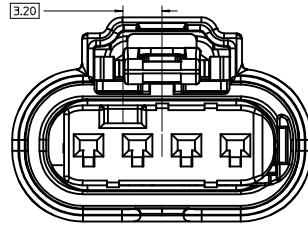
A12	RELEASE ALL KEYS SALEABLE
A11	RELEASE NON SIR SALEABLE
A10	PART #'S WITH NEW LATCH DESIGN SALEABLE
A9	PART #'S WITH NEW LATCH DESIGN SALEABLE
A8	ADDED NEW PART NUMBERS FOR LATCH IMPROVEMENT PARTS
A7	UPDATED 34900-6012 AND 34900-6012 TO SALEBLE
A6	UPDATED SHROUD LENGTH DIMENSION SCHEME
A5	BOM CORRECTIONS AND UPDATES
A4	BOM CORRECTIONS AND UPDATES
A3	NON SIR PART# OK TO TOOL
A2	BOM UPDATES FOR NON-SIR PART #
A1	1X6 MID LENGTH SHROUD OK TO TOOL
A	1X4 INLINE VIEWS ADDED
1	INITIAL RELEASE
REV	DESCRIPTION

ENTER DESCRIPTION ELC NO: UAU2016-1730 DRAWN: PATE01 2016/05/23 CHKD: APPR: KOKOSKI 2016/05/31	QUALITY SYMBOLS ∇=0 ∇=0 ∇=0	GENERAL TOLERANCES (UNLESS SPECIFIED)		DIMENSION STYLE MM ONLY		SCALE 3:1	DESIGN UNITS METRIC	THIRD ANGLE PROJECTION	
		4 PLACES ± 0.10 ± 0.10 3 PLACES ± 0.15 ± 0.15 2 PLACES ± 0.20 ± 0.20 1 PLACE ± 0.25 ± 0.25 0 PLACE ± 0.50 ± 0.50	mm INCH	DRAWN BY MYANSLAMBROU	DATE 2012/05/03	TITLE 12MM 1X4, 1X6 RECPT. SEALED ASSEMBLY CABLE SEAL			
		ANGULAR ± 3 ° DRAFT WHERE APPLICABLE MUST REMAIN WITHIN DIMENSIONS		APPROVED BY GGA	DATE 2012/12/13	MATERIAL NO. SEE TABLE			
				DOCUMENT NO. SD-34900-6001		SHEET NO. 1 OF 6			

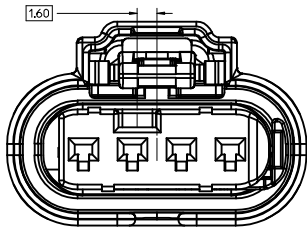
1x4 RECEPTACLE SEALED ASSEMBLY KEYING CONFIGURATIONS. FOR PART NUMBERS REFER TO BOM SHEET.



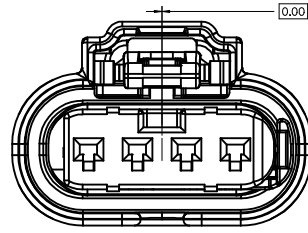
KEYING OPTION A



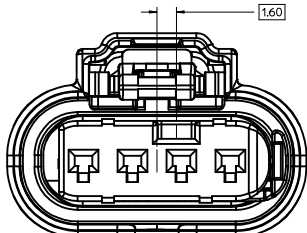
KEYING OPTION E



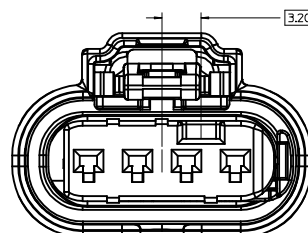
KEYING OPTION B



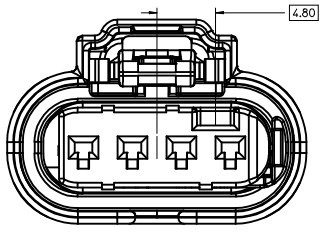
KEYING OPTION F



KEYING OPTION C



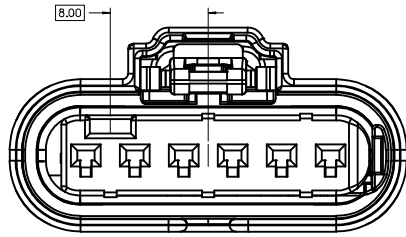
KEYING OPTION G



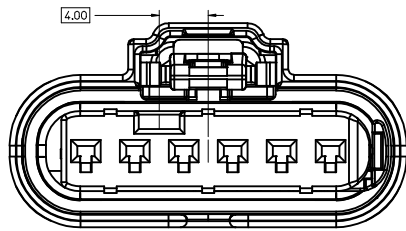
KEYING OPTION D

ENTER DESCRIPTION EEC NO: UAU2016-1730 DRAWN/PATE01 2016/05/23 CHKD: APPR:KIEKOSKI 2016/05/31 REV:	QUALITY SYMBOLS ▽=0 ▽=0 ▽=0	GENERAL TOLERANCES (UNLESS SPECIFIED)		DIMENSION STYLE MM ONLY	SCALE 5:1	DESIGN UNITS METRIC	THIRD ANGLE PROJECTION
		4 PLACES ± --- ± --- 3 PLACES ± --- ± --- 2 PLACES ± 0.10 ± --- 1 PLACE ± 0.20 ± --- 0 PLACE ± 0.50 ±	mm INCH	DRAWN BY DATE MYANSLAMBROU 2012/05/03	CHECKED BY DATE	TITLE 12MM 1X4, 1X6 RECPT. SEALED ASSEMBLY CABLE SEAL	
DRAFT WHERE APPLICABLE MUST REMAIN WITHIN DIMENSIONS		ANGULAR ± 3 °		APPROVED BY DATE GGA 2012/12/13	MATERIAL NO. DOCUMENT NO.		
SEE BOM				SD-34900-6001			
THIS DRAWING CONTAINS INFORMATION THAT IS PROPRIETARY TO MOLEX INCORPORATED AND SHOULD NOT BE USED WITHOUT WRITTEN PERMISSION							SHEET NO. 2 OF 6

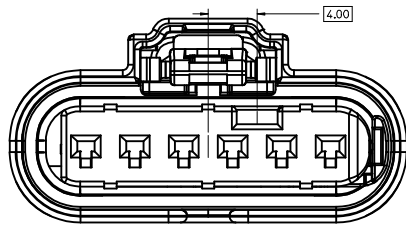
1x6 RECEPTACLE SEALED ASSEMBLY KEYING CONFIGURATIONS. FOR PART NUMBERS REFER TO BOM SHEET.



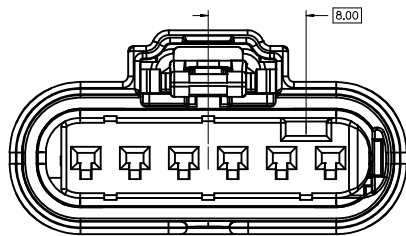
KEYING OPTION A



KEYING OPTION B



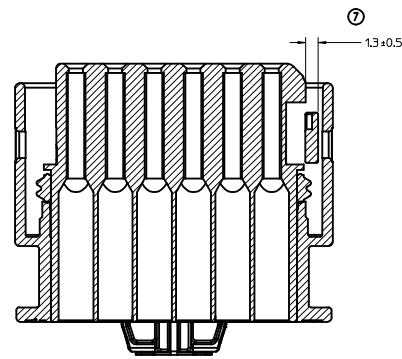
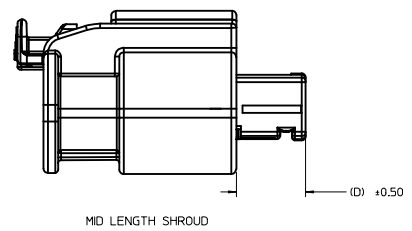
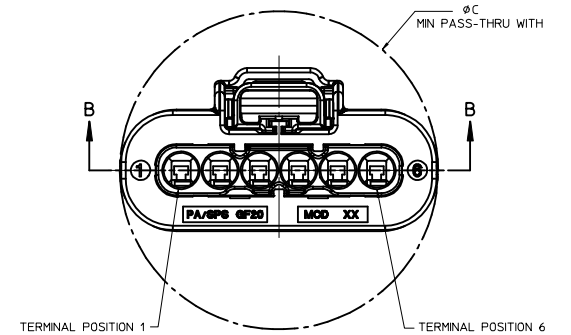
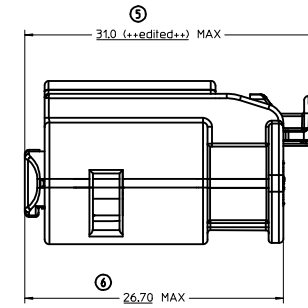
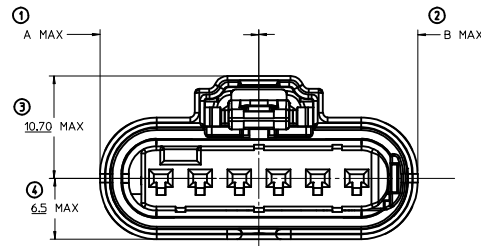
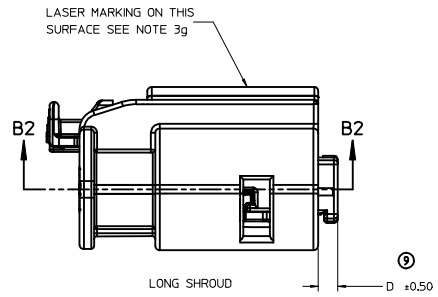
KEYING OPTION C



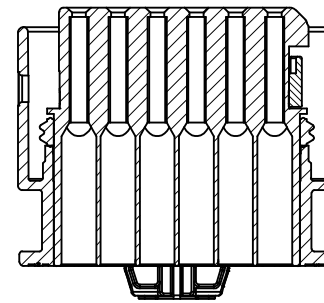
KEYING OPTION D

SEE SHEET 1 DEC NO: UAU2016-1730 DRAWN/PATE01 2016/05/23 CHKD: APPR:KIEKOSKI 2016/05/31 REV DESCRIPTION	QUALITY SYMBOLS ▽=0 ▽=0 ▽=0		GENERAL TOLERANCES (UNLESS SPECIFIED) mm INCH 4 PLACES ± --- ± --- 3 PLACES ± --- ± --- 2 PLACES ± 0.10 ± --- 1 PLACE ± 0.20 ± --- 0 PLACE ± 0.50 ±		DIMENSION STYLE MM ONLY DRAWN BY DATE MYANSLAMBROU 2012/05/03 CHECKED BY DATE		SCALE 5:1 DESIGN UNITS METRIC THIRD ANGLE PROJECTION		TITLE 12MM 1X4, 1X6 RECPT. SEALED ASSEMBLY CABLE SEAL	
	ANGULAR ± 3 ° DRAFT WHERE APPLICABLE MUST REMAIN WITHIN DIMENSIONS		APPROVED BY DATE GGA 2012/12/13		MATERIAL NO. SEE BOM		DOCUMENT NO. SD-34900-6001		SHEET NO. 3 OF 6	
	THIS DRAWING CONTAINS INFORMATION THAT IS PROPRIETARY TO MOLEX INCORPORATED AND SHOULD NOT BE USED WITHOUT WRITTEN PERMISSION									
	SIZE D									

RECEPTACLE SEALED ASSEMBLY



SECTION B-B
INDEPENDENT SECONDARY LOCK (ISL)
SHOWN IN THE PRE-STAGED POSITION



SECTION B2-B2
INDEPENDENT SECONDARY LOCK (ISL)
SHOWN IN THE FINAL-LOCK POSITION

	A	B	C	D
1x6 MID LENGTH SHROUD	16.5	16.5	33.0	6.70
1x4 MID LENGTH SHROUD	16.5	16.5	25.0	6.70
1x6 LONG SHROUD	16.5	16.5	33.0	2.00
1x4 LONG SHROUD	12.5	12.5	25.0	2.00
DESCRIPTION	A	B	C	D

CHARTED DIMENSIONS

ENTER DESCRIPTION ELEC NO: UAU2016-1730 DRAWN: PATE01 CHKD: APPR: KIEKSKI REV: A12	QUALITY SYMBOLS ∇=0 ∇=0 ∇=0	GENERAL TOLERANCES (UNLESS SPECIFIED) mm INCH 4 PLACES ± --- ± --- 3 PLACES ± --- ± --- 2 PLACES ± 0.10 ± --- 1 PLACE ± 0.20 ± --- 0 PLACE ± 0.50 ± --- ANGULAR ± 3 ° DRAFT WHERE APPLICABLE MUST REMAIN WITHIN DIMENSIONS	DIMENSION STYLE MM ONLY SCALE 4:1 DESIGN UNITS METRIC THIRD ANGLE PROJECTION	DRAWN BY MYANSLAMBROU DATE 2012/05/03 CHECKED BY DATE APPROVED BY GGA DATE 2012/12/13	TITLE 12MM 1X4, 1X6 RECPT. SEALED ASSEMBLY CABLE SEAL molex DOCUMENT NO. SD-34900-6001 SHEET NO. 4 OF 6
	MATERIAL NO. SEE BOM		SEE BOM		THIS DRAWING CONTAINS INFORMATION THAT IS PROPRIETARY TO MOLEX INCORPORATED AND SHOULD NOT BE USED WITHOUT WRITTEN PERMISSION
	SIZE D		SEE BOM		THIS DRAWING CONTAINS INFORMATION THAT IS PROPRIETARY TO MOLEX INCORPORATED AND SHOULD NOT BE USED WITHOUT WRITTEN PERMISSION
	SEE BOM		SEE BOM		THIS DRAWING CONTAINS INFORMATION THAT IS PROPRIETARY TO MOLEX INCORPORATED AND SHOULD NOT BE USED WITHOUT WRITTEN PERMISSION

1x4 RECEPTACLE SEALED ASSEMBLY BOM SHEET 1

KEY OPTION	CONNECTOR HOUSING COLOR	TERMINAL HOUSING COLOR	OUTER HOUSING SHROUD LENGTH	ASSEMBLY PART NUMBER	CHMB	A	B	C	D	E	F	G	CONCEPT	1	2
KEY OPTION G	BLACK	LIGHT GRAY	MID LENGTH	34900-4136									CONCEPT	1	2
KEY OPTION F	BLACK	BLACK	MID LENGTH	34900-4135							F		CONCEPT	1	2
KEY OPTION E	BLACK	DARK GRAY	MID LENGTH	34900-4134						E			CONCEPT	1	2
KEY OPTION D	BLACK	LIGHT GRAY	MID LENGTH	34900-4133						D			CONCEPT	1	2
KEY OPTION C	BLACK	DARK GRAY	MID LENGTH	34900-4132						C			CONCEPT	1	2
KEY OPTION B	BLACK	STONE GRAY	MID LENGTH	34900-4131						B			CONCEPT	1	2
KEY OPTION A	BLACK	BLACK	MID LENGTH	34900-4130						A			CONCEPT	1	2
KEY OPTION G	BLACK	LIGHT GRAY	LONG	34900-4126								G	SALEABLE	1	2
KEY OPTION F	BLACK	BLACK	LONG	34900-4125								F	SALEABLE	1	2
KEY OPTION E	BLACK	DARK GRAY	LONG	34900-4124							E		SALEABLE	1	2
KEY OPTION D	BLACK	LIGHT GRAY	LONG	34900-4123							D		SALEABLE	1	2
KEY OPTION C	BLACK	DARK GRAY	LONG	34900-4122							C		SALEABLE	1	2
KEY OPTION B	BLACK	STONE GRAY	LONG	34900-4121							B		SALEABLE	1	2
KEY OPTION A	BLACK	BLACK	LONG	34900-4120							A		SALEABLE	1	2
KEY OPTION G	YELLOW	LIGHT GRAY	LONG	34900-4116								G	SALEABLE	1	2
KEY OPTION F	YELLOW	BLACK	LONG	34900-4115								F	SALEABLE	1	2
KEY OPTION E	YELLOW	DARK GRAY	LONG	34900-4114							E		SALEABLE	1	2
KEY OPTION D	YELLOW	LIGHT GRAY	LONG	34900-4113							D		SALEABLE	1	2
KEY OPTION C	YELLOW	DARK GRAY	LONG	34900-4112							C		SALEABLE	1	2
KEY OPTION B	YELLOW	STONE GRAY	LONG	34900-4111							B		SALEABLE	1	2
KEY OPTION A	YELLOW	BLACK	LONG	34900-4110							A		SALEABLE	1	2
KEY OPTION G	BLACK	LIGHT GRAY	LONG	34900-4026								G	OBSOLETE	1	2
KEY OPTION F	BLACK	BLACK	LONG	34900-4025								F	OBSOLETE	1	2
KEY OPTION E	BLACK	DARK GRAY	LONG	34900-4024							E		OBSOLETE	1	2
KEY OPTION D	BLACK	LIGHT GRAY	LONG	34900-4023							D		OBSOLETE	1	2
KEY OPTION C	BLACK	DARK GRAY	LONG	34900-4022							C		OBSOLETE	1	2
KEY OPTION B	BLACK	STONE GRAY	LONG	34900-4021							B		OBSOLETE	1	2
KEY OPTION A	BLACK	BLACK	LONG	34900-4020							A		OBSOLETE	1	2
KEY OPTION G	YELLOW	LIGHT GRAY	LONG	34900-4016								G	OBSOLETE	1	2
KEY OPTION F	YELLOW	BLACK	LONG	34900-4015								F	OBSOLETE	1	2
KEY OPTION E	YELLOW	DARK GRAY	LONG	34900-4014							E		OBSOLETE	1	2
KEY OPTION D	YELLOW	LIGHT GRAY	LONG	34900-4013							D		OBSOLETE	1	2
KEY OPTION C	YELLOW	DARK GRAY	LONG	34900-4012							C		OBSOLETE	1	2
KEY OPTION B	YELLOW	STONE GRAY	LONG	34900-4011							B		OBSOLETE	1	2
KEY OPTION A	YELLOW	BLACK	LONG	34900-4010							A		OBSOLETE	1	2
ASSEMBLY DESCRIPTION	CONNECTOR HOUSING COLOR	TERMINAL HOUSING COLOR	OUTER HOUSING SHROUD LENGTH	ASSEMBLY PART NUMBER									PRODUCTION TOOL STATUS	COMMENTS	DESIGNED TO MATE WITH DEVICE CONNECTION

ABREVIATION	COMPONENT
CHY	CONNECTOR HOUSING YELLOW
CHB	CONNECTOR HOUSING BLACK
CHBM	CONNECTOR HOUSING BLACK MID SHROUD
A	TERMINAL HOUSING KEY A
B	TERMINAL HOUSING KEY B
C	TERMINAL HOUSING KEY C
D	TERMINAL HOUSING KEY D
E	TERMINAL HOUSING KEY E
F	TERMINAL HOUSING KEY F
G	TERMINAL HOUSING KEY G
CPA	CPA
ISL	ISL
RING SEAL	RING SEAL
1	USCAR INTERFACE 120-S-004-1-202 SEE NOTE 1f FOR WEBSITE
2	MOLEX INLINE BLADE CONNECTOR SD-34899-6001

DESCRIPTION	COLOR	MATERIAL	COMMENTS
RING SEAL	LIGHT BLUE	INHERENTLY LUBRICATED SILICONE	
ISL	NATURAL	SPS/NYLON GF20	
CPA	RED	PBT GF30	
TERMINAL HOUSING KEYING OPTION G	LIGHT GRAY	SPS/NYLON GF20	
TERMINAL HOUSING KEYING OPTION F	BLACK	SPS/NYLON GF20	
TERMINAL HOUSING KEYING OPTION E	DARK GRAY	SPS/NYLON GF20	
TERMINAL HOUSING KEYING OPTION D	LIGHT GRAY	SPS/NYLON GF20	
TERMINAL HOUSING KEYING OPTION C	DARK GRAY	SPS/NYLON GF20	
TERMINAL HOUSING KEYING OPTION B	STONE GRAY	SPS/NYLON GF20	
TERMINAL HOUSING KEYING OPTION A	BLACK	SPS/NYLON GF20	
MID LENGTH CONNECTOR HOUSING	BLACK	SPS/NYLON GF20	
CONNECTOR HOUSING	BLACK	SPS/NYLON GF20	UPDATED LATCH
CONNECTOR HOUSING	YELLOW	SPS/NYLON GF20	UPDATED LATCH
CONNECTOR HOUSING	BLACK	SPS/NYLON GF20	
CONNECTOR HOUSING	YELLOW	SPS/NYLON GF20	

ENTER DESCRIPTION ELEC NO: UAU2016-1730 DRAWN/PAT01 CHYD: APPR:KOEKSKL 2016/05/12 2016/05/31 A12	QUALITY SYMBOLS ∇=0 ∇=0 ∇=0	GENERAL TOLERANCES (UNLESS SPECIFIED) mm INCH 4 PLACES ± --- ± --- 3 PLACES ± --- ± --- 2 PLACES ± 0.10 ± --- 1 PLACE ± 0.20 ± --- 0 PLACE ± 0.50 ± --- ANGULAR ± 3 ° DRAFT WHERE APPLICABLE MUST REMAIN WITHIN DIMENSIONS	DIMENSION STYLE MM ONLY DRAWN BY DATE MYANSLAMBROU 2012/05/03 CHECKED BY DATE APPROVED BY DATE GGA 2012/12/13	SCALE 5:1 DESIGN UNITS METRIC THIRD ANGLE PROJECTION	TITLE 12MM 1X4, 1X6 RECP.T. SEALED ASSEMBLY CABLE SEAL molex MATERIAL NO. SEE BOM DOCUMENT NO. SD-34900-6001 SHEET NO. 5 OF 6
	THIS DRAWING CONTAINS INFORMATION THAT IS PROPRIETARY TO MOLEX INCORPORATED AND SHOULD NOT BE USED WITHOUT WRITTEN PERMISSION				

1x6 RECEPTACLE SEALED ASSEMBLY BOM SHEET 1

KEY OPTION D	BLACK	STONE GRAY	MID LENGTH	34900-6190				CHMB		D	SALEABLE						3
KEY OPTION C	BLACK	DARK GRAY	MID LENGTH	34900-6121				CHMB		C	SALEABLE						3
KEY OPTION B	BLACK	LIGHT GRAY	MID LENGTH	34900-6128				CHMB	B		SALEABLE						3
KEY OPTION A	BLACK	BLACK	MID LENGTH	34900-6119				CHMB	A		SALEABLE						3
KEY OPTION D	BLACK	STONE GARY	LONG	34900-6143				CHLB		D	SALEABLE		1	2			
KEY OPTION C	BLACK	DARK GRAY	LONG	34900-6142				CHLB		C	SALEABLE		1	2			
KEY OPTION B	BLACK	LIGHT GRAY	LONG	34900-6141				CHLB	B		SALEABLE		1	2			
KEY OPTION A	BLACK	BLACK	LONG	34900-6140				CHLB	A		SALEABLE		1	2			
KEY OPTION D	YELLOW	STONE GRAY	LONG	34900-6113				CHLY		D	SALEABLE		1	2			
KEY OPTION C	YELLOW	DARK GRAY	LONG	34900-6112				CHLY		C	SALEABLE		1	2			
KEY OPTION B	YELLOW	LIGHT GRAY	LONG	34900-6111				CHLY	B		SALEABLE		1	2			
KEY OPTION A	YELLOW	BLACK	LONG	34900-6110				CHLY	A		SALEABLE		1	2			
KEY OPTION D	BLACK	STONE GRAY	MID LENGTH	34900-6030				CHMB		D	OBSOLETE						3
KEY OPTION C	BLACK	DARK GRAY	MID LENGTH	34900-6021				CHMB		C	OBSOLETE						3
KEY OPTION B	BLACK	LIGHT GRAY	MID LENGTH	34900-6028				CHMB	B		OBSOLETE						3
KEY OPTION A	BLACK	BLACK	MID LENGTH	34900-6019				CHMB	A		OBSOLETE						3
KEY OPTION D	BLACK	STONE GARY	LONG	34900-6043				CHLB		D	OBSOLETE		1	2			
KEY OPTION C	BLACK	DARK GRAY	LONG	34900-6042				CHLB		C	OBSOLETE		1	2			
KEY OPTION B	BLACK	LIGHT GRAY	LONG	34900-6041				CHLB	B		OBSOLETE		1	2			
KEY OPTION A	BLACK	BLACK	LONG	34900-6040				CHLB	A		OBSOLETE		1	2			
KEY OPTION D	YELLOW	STONE GRAY	LONG	34900-6013				CHLY		D	OBSOLETE		1	2			
KEY OPTION C	YELLOW	DARK GRAY	LONG	34900-6012				CHLY		C	OBSOLETE		1	2			
KEY OPTION B	YELLOW	LIGHT GRAY	LONG	34900-6011				CHLY	B		OBSOLETE		1	2			
KEY OPTION A	YELLOW	BLACK	LONG	34900-6010				CHLY	A		OBSOLETE		1	2			
ASSEMBLY DESCRIPTION	CONNECTOR HOUSING COLOR	TERMINAL CAVITY COLOR	OUTER HOUSING SHROUD LENGTH	ASSEMBLY PART NUMBER					A B C D		PRODUCTION TOOL STATUS	COMMENTS	DESIGNED TO MATE WITH DEVICE CONNECTION				3

RING SEAL	BURNT RED	INHERENTLY LUBRICATED SILICONE	
ISL	NATURAL	SPS/NYLON GF20	
CPA	RED	PBT GF30	
TERMINAL HOUSING KEYING OPTION D	STONE GRAY	SPS/NYLON GF20	
TERMINAL HOUSING KEYING OPTION C	DARK GRAY	SPS/NYLON GF20	
TERMINAL HOUSING KEYING OPTION B	LIGHT GRAY	SPS/NYLON GF20	
TERMINAL HOUSING KEYING OPTION A	BLACK	SPS/NYLON GF20	
CONNECTOR HOUSING MID LENGTH	BLACK	SPS/NYLON GF20	UPDATED LATCH
CONNECTOR HOUSING LONG	BLACK	SPS/NYLON GF20	UPDATED LATCH
CONNECTOR HOUSING LONG	YELLOW	SPS/NYLON GF20	UPDATED LATCH
CONNECTOR HOUSING MID LENGTH	BLACK	SPS/NYLON GF20	
CONNECTOR HOUSING LONG	BLACK	SPS/NYLON GF20	
CONNECTOR HOUSING LONG	YELLOW	SPS/NYLON GF20	

DESCRIPTION	COLOR	MATERIAL	COMMENTS
BOM/APPLICABLE COMPONENTS TABLE			

LEGEND TABLE	
ABBREVIATION	COMPONENT
CHLY	CONNECTOR HOUSING LONG YELLOW
CHLB	CONNECTOR HOUSING LONG BLACK
CHMB	CONNECTOR HOUSING MEDIUM BLACK
A	TERMINAL HOUSING KEY A
B	TERMINAL HOUSING KEY B
C	TERMINAL HOUSING KEY C
D	TERMINAL HOUSING KEY D
CPA	CPA
ISL	ISL
RING SEAL	RING SEAL
1	USCAR INTERFACE 120-S-006-1-Z02 SEE NOTE 1f FOR WEBSITE
2	MOLEX INLINE BLADE CONNECTOR SD-34899-6001
3	USCAR INTERFACE 120-S-006-1-Z04 SEE NOTE 1f FOR WEBSITE

ENTER DESCRIPTION ELEC NO: UAU2016-1730 DRAWN/PATE01 CHKD: APPR:K0EKGSKI 2016/05/23 2016/05/31 A12	QUALITY SYMBOLS ∇=0 ∇=0 ∇=0	GENERAL TOLERANCES (UNLESS SPECIFIED) mm INCH 4 PLACES ±--- ±--- 3 PLACES ±--- ±--- 2 PLACES ±0.10 ±--- 1 PLACE ±0.20 ±--- 0 PLACE ±0.50 ±		DIMENSION STYLE MM ONLY	SCALE 2:1	DESIGN UNITS METRIC	THIRD ANGLE PROJECTION
		DRAFT WHERE APPLICABLE MUST REMAIN WITHIN DIMENSIONS		DRAWN BY DATE MYANSLAMBROU 2012/05/03	CHECKED BY DATE	TITLE 1.2MM 1X4. 1X6 RECP. SEALED ASSEMBLY CABLE SEAL	
		MATERIAL NO. SEE TABLE		APPROVED BY DATE GGA 2012/12/13	DOCUMENT NO. SD-34900-6001		SHEET NO. 6 OF 6
		THIS DRAWING CONTAINS INFORMATION THAT IS PROPRIETARY TO MOLEX INCORPORATED AND SHOULD NOT BE USED WITHOUT WRITTEN PERMISSION					