

THIS DRAWING IS UNPUBLISHED. RELEASED FOR PUBLICATION
 © COPYRIGHT - BY TYCO ELECTRONICS CORPORATION. ALL RIGHTS RESERVED.

LOC	DIST	REVISIONS					
GZ	00	P	LTR	DESCRIPTION	DATE	DWN	APVD
		A		NEW FORMAT & EC0720-0054-04	03FEB04	MD	WS

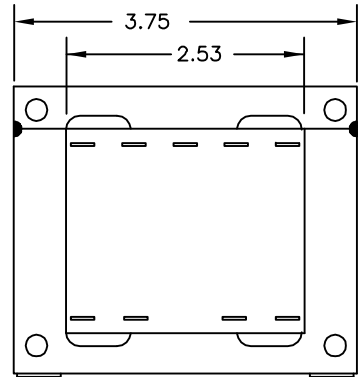
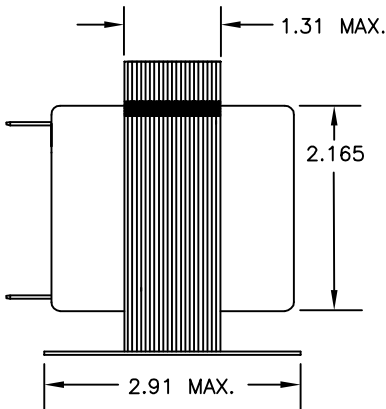
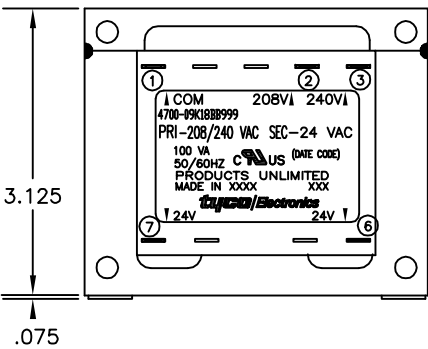
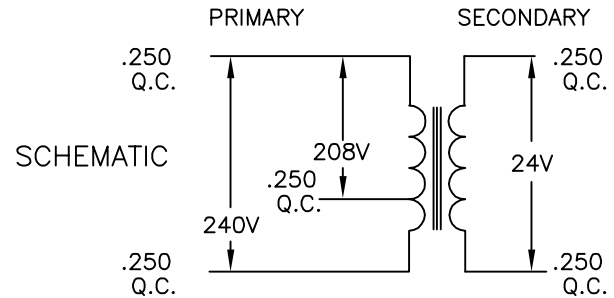
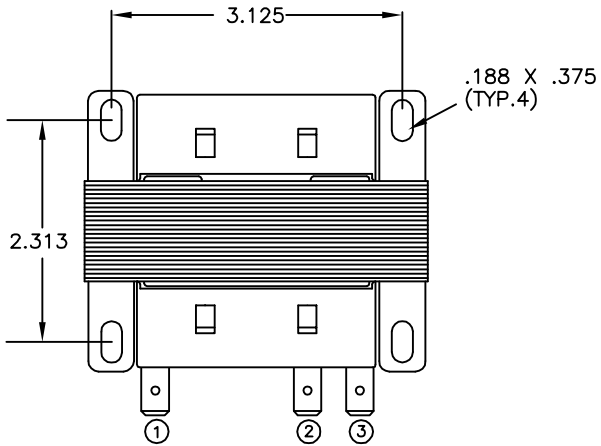
ALL LEADS 18AWG--UNLESS OTHERWISE SPECIFIED

PRIMARY					
TERMINAL NO.	1	2	3	4	5
VOLTAGE	COM	208	240		
TERMINAL WIDTH	.250	.250	.250		
TERMINAL THICKNESS	.032	.032	.032		

- NOTES
1. DIMENSIONS FOR REFERENCE ONLY.
 2. ALL LEADS +1"/-0" TOL.
 3. STRIP TOL. ±1/32
 4. WINDING PROTECTION--NONE

CERTIFICATION: UL FILE NO. E102980

SECONDARY				
TERMINAL NO.	6	7	8	9
VOLTAGE	24	VAC		
TERMINAL WIDTH	.250	.250		
TERMINAL THICKNESS	.032	.032		



CUST. NO. - TYCO PART NUMBER 1-1611475-3

THIS DRAWING IS A CONTROLLED DOCUMENT.

DIMENSIONS: INCHES	TOLERANCES UNLESS OTHERWISE SPECIFIED:
	0 PLC ± -
	1 PLC ± -
	2 PLC ± -
	3 PLC ± -
	4 PLC ± -
	ANGLES ± 1°
MATERIAL -	FINISH -

DWN	M.DAVIS	03FEB04
CHK	W.SORAH	03FEB04
APVD	W.SORAH	03FEB04
PRODUCT SPEC		
APPLICATION SPEC		
WEIGHT	-	
CUSTOMER DRAWING		

NAME		TRANSFORMER OUTLINE	
SIZE	A3	CAGE CODE	00779
DRAWING NO	C=4700-09K18BB999		RESTRICTED TO
SCALE	NTS	SHEET	1 OF 1
REV	A		