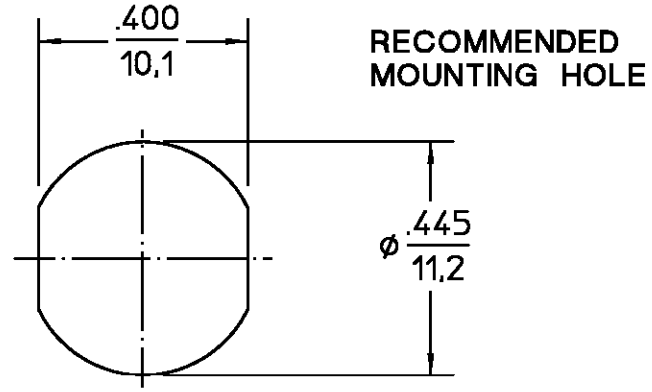


DESIGNED FOR USE WITH	.141 SR CABLE
CABLE ENTRY DIAMETER MINIMUM	
HOUSING CONTACT	.145 .036

REVISIONS			
REV	DESCRIPTION	DATE	APPROVED
04 <sub>1</sub>	REVISED	PATLAN 7-14-98	3/31/99



ELECTRICAL	MECHANICAL	ENVIRONMENTAL
Nominal Impedance (Ohms) <u>50</u>	Interface Dimensions MIL-STD-348A, Fig. 406.1	Temperature Rating <u>-65°C to +105°C</u>
Frequency Range (GHz) DC to <u>15</u>	Recommended Mating Torque <u>12 - 15 in-lbs</u>	Vibration MIL-STD-202, Method 204, Condition B.
Volt Rating (VRMS MAX) @ Sea Level <u>500</u>	Mating Characteristics: Insertion (MAX Lbs) <u>2.0</u>	Shock MIL-STD-202, Method 213, Condition I.
VSWR <u>1.35 MAX f(GHz)</u>	Withdrawal (MIN Oz) <u>2.0</u>	Thermal Shock MIL-STD-202, Method 102, Condition C.
Insertion Loss (dB MAX) <u>.04 √f(GHz)</u>	Force to Engage and Disengage (In-Lbs MAX) <u>2.0</u>	Except High Temp +125°C
RF Leakage (dB MIN) <u>-100 @ 15 GHz</u>	Center Contact Captivation Axial (Lbs) <u>6.0</u>	Moisture Resistance MIL-STD-202, Method 106
Corona, 70,000 Ft (VRMS MIN) <u>375</u>	Radial (In-Oz) <u>N/A</u>	Corrosion - MIL-STD-202, Method 101, Condition B, 5% salt spray
Dielectric Withstanding Voltage (VRMS MIN) @ Sea Level <u>1,500</u>	Cable Retention Axial Force (Lbs MIN) <u>50.0</u>	
Contact Resistance (Milliohms MAX) Center Contact <u>2.0</u>	Torque (In-Oz) <u>3.5</u>	
Outer Contact <u>2.0</u>	Weight (Grams) <u>TBD</u>	
Cable to Housing <u>0.5</u>		
RF High Potential @ Sea Level (VRMS MIN @ 5 MHz) <u>1,000</u>		
I.R.(Megohms MIN) <u>5,000</u>		

COMPONENT	MATERIAL	FINISH
REAR HOUSING	STAINLESS STEEL PER ASTM-A484 AND ASTM-A582, TYPE 303	GOLD PLATE PER MIL-G-45204
HOUSING MOUNTING NUT LOCK WASHER	STAINLESS STEEL PER ASTM-A484 AND ASTM-A582, TYPE 303	PASSIVATE PER QQ-P-35
DIELECTRIC	PTFE FLUOROCARBON PER ASTM-D-1457	N/A
CENTER CONTACT	BERYLLIUM COPPER PER ASTM-B-196 OR ASTM-B-197, ALLOY C17300, CONDITION H	GOLD PLATE PER MIL-G-45204
BUSHING	BRASS PER ASTM-B-16 HALF HARD	NICKEL PLATE PER QQ-N-290204
O-RING	SILICONE RUBBER PER ZZ-R-765	N/A

UNLESS OTHERWISE SPECIFIED DIMENSIONS ARE IN INCHES	DRAWN BY SK	DATE 2-20-78	 AMP Incorporated 140 Fourth Avenue Waltham, MA 02451-7599
	CHECKED BY KAW	4-10-78	
APPD BY RMF	4-10-98		
These drawings and specifications are the property of AMP Interconnect Div. and shall not be reproduced or copied or used in whole or in part as the basis for the manufacture or sale of item(s) without written permission.	USE ASSY PROCEDURE	TITLE OST BULKHEAD FEEDTHROUGH CABLE JACK-DIRECT SOLDER ATTACHMENT	
	408-08206 (31-007)	NO. A.P.	
	SIZE B	CODE IDENT NO. 26805	3104-5065-31
	SCALE 3:1		REV 04 <sub>1</sub>
			SHEET 1 OF 1