

SPECIFICATIONS

(RoHS Compliant)

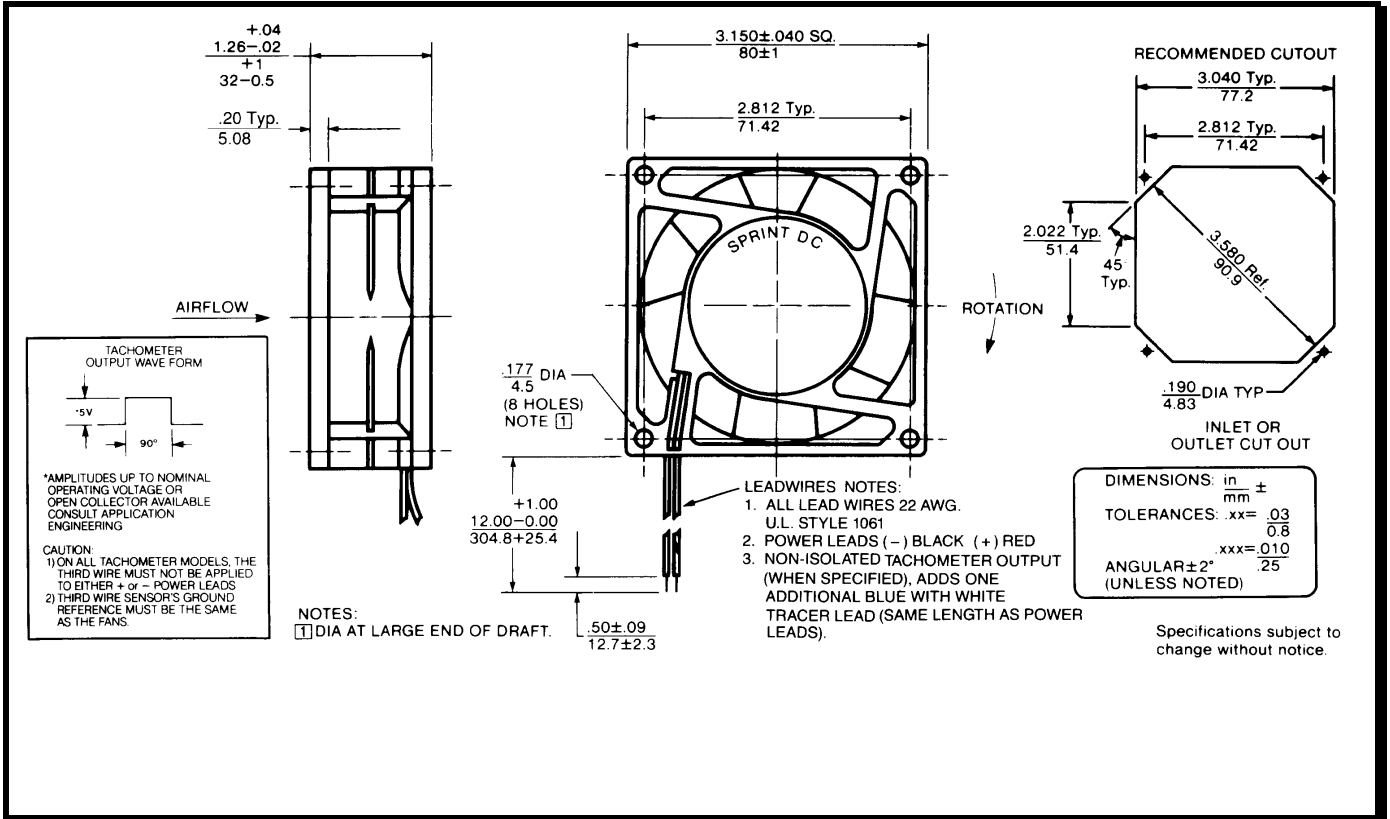


Model Number ST24B3
Part Number: 19030616A

SPEC: 26013313A01

Jan.01.2013

Mechanical Drawing:



Motor:

Nominal Voltage = 24 vdc
 Operating Voltage Range = 12 - 28 vdc
 Nominal Running Current = .140 amps
 Max. Locked Rotor Current = .400 amps
 Running Power = 3.4 watts
 Average Speed = 3400 RPM
 Bearings = Ball
 Air Flow = 33 CFM
 Acoustic = 40.9 dBA

Construction:

Venturi: Plastic, Black, UL 94V-0.
 Propeller: Polypropylene, Black, UL 94V-0

Life Expectancy:

This fan is designed for continuous duty life of 78,000 hours at 40°C.

Additional Features:

Brushless DC Motor
 Electronic Locked Rotor Protection
 Polarity Protected
 Automatic Restart Capability
 Operating Temperature: -10°C to 70°C
 Storage Temperature: -40°C to 85°C

Termination:

12" Lead wires, AWG 22, UL 1061
 Red = Power (+)
 Black = Return (-)

Agency Approvals:

UL, CSA, TUV, CE