

A

B

C

D

complete length when assembled app. 42 mm

width across flats: 14

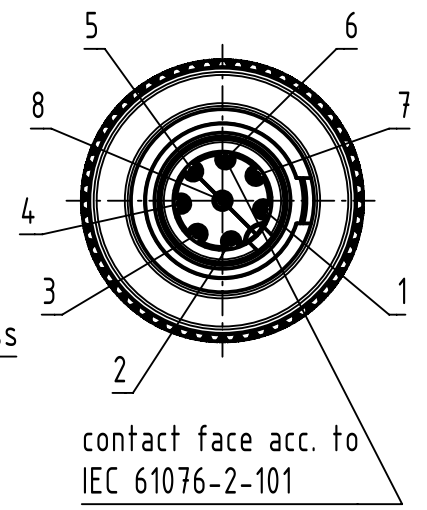
Ø 18,6

Ø 16,3

assembly aid enclosed

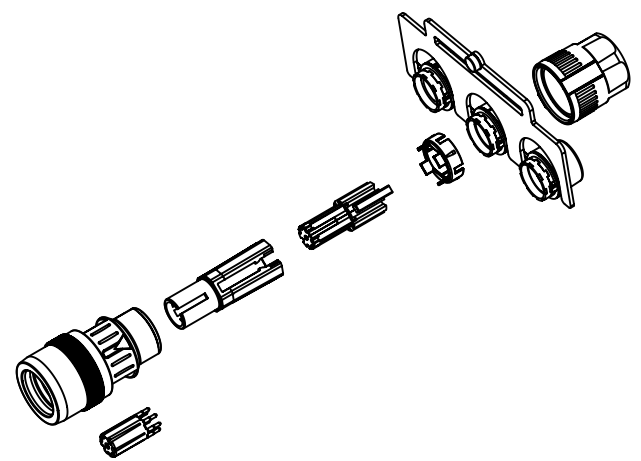
width across flats: 15

A (2:1)



contact face acc. to IEC 61076-2-101

order contacts separately



5,7-8,8mm		AWG 26-22		21 01 100 9025	
cable Ø		wire gauge		part number	
All Dimensions in mm Original Size DIN A4	Scale 1:1	Free size tol.		Ref.	
				Sub.	
All rights reserved Department EC PD - RO	Created by POPESCUD	Inspected by TAMAS	Standardisation HOFFMANN	Date 2017-10-02	State Final Release
	Title M12 PushPull 8-pole A-coded female				Doc-Key / ECM-Nr. 100706134/UGD/000/B 500000124.707
HARTING Electronics GmbH D-32339 Espelkamp		Type TB	Number 21038212830		Rev. B Page 1/1