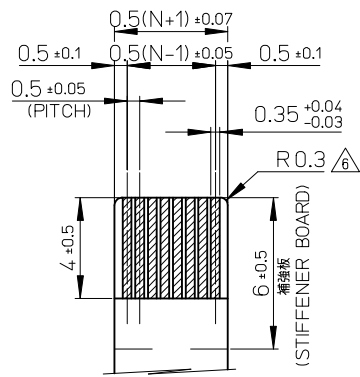


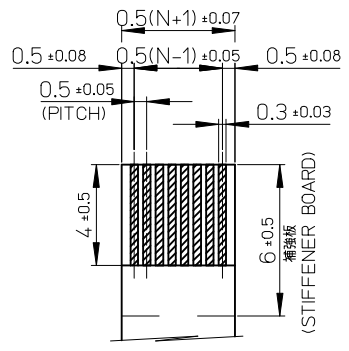
|      |      |       |      |                                   |         |
|------|------|-------|------|-----------------------------------|---------|
| 21.6 | 19.6 | 15.65 | 14.5 | 52437-3072                        | 30      |
| 21.1 | 19.1 | 15.15 | 14.0 | 52437-2972                        | 29      |
| 20.6 | 18.6 | 14.65 | 13.5 | 52437-2872                        | 28      |
| 20.1 | 18.1 | 14.15 | 13.0 | 52437-2772                        | 27      |
| 19.6 | 17.6 | 13.65 | 12.5 | 52437-2672                        | 26      |
| 19.1 | 17.1 | 13.15 | 12.0 | 52437-2572                        | 25      |
| 18.6 | 16.6 | 12.65 | 11.5 | 52437-2472                        | 24      |
| 18.1 | 16.1 | 12.15 | 11.0 | 52437-2372                        | 23      |
| 17.6 | 15.6 | 11.65 | 10.5 | 52437-2272                        | 22      |
| 17.1 | 15.1 | 11.15 | 10.0 | 52437-2172                        | 21      |
| D    | C    | B     | (A)  | EMBOSSED PACKAGE ORDER No. オーダー番号 | 極数 CKT. |

CONNECTOR SERIES NO. : 52437-\*\*26

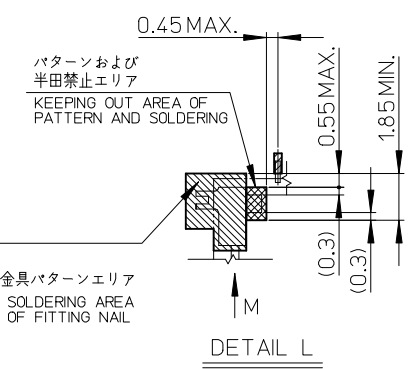
|   |                                       |             |                            |   |  |              |                        |              |                        |                  |  |
|---|---------------------------------------|-------------|----------------------------|---|--|--------------|------------------------|--------------|------------------------|------------------|--|
| REVISED<br>EC NO. J2013-1532<br>2013/06/21<br>DRWN:NIINOUE01<br>2013/06/21<br>CHKD:HIJIMA<br>2013/06/21<br>APPR:YNOGAWA<br>2013/06/28 | GENERAL TOLERANCES (UNLESS SPECIFIED) |             | DIMENSION STYLE<br>MM ONLY |   | SCALE<br>---   |              | DESIGN UNITS<br>METRIC |              | THIRD ANGLE PROJECTION |                  |  |
|   | 10 UNDER                              | ±0.2        | DRAWN BY                   | DATE  | TITLE  |              |                        |              |                        |                  |  |
|   | 10 OVER 30 UNDER                      | ±0.25       | YSAKIYAM                   | '04/01/08   | 0.5 FPC CONN. ZIF FOR SMT R/A (BOTTOM CONTACT) TIN-BISMUTH PLATING<br><b>molex</b> |              |                        |              |                        |                  |  |
|   | 30 OVER                               | ±0.3        | MSASAO                     | '04/01/08   |  |              |                        |              |                        |                  |  |
| ANGULAR ±3 °  |                                       | APPROVED BY |                            | DATE  |  | MATERIAL NO. |                        | DOCUMENT NO. |                        |                  |  |
| DRAFT WHERE APPLICABLE MUST REMAIN WITHIN DIMENSIONS  |                                       | MSASAO      |                            | '04/01/08   |  | SEE CHART    |                        | SD-52437-017 |                        |                  |  |
|   |                                       | SIZE A3     |                            | THIS DRAWING CONTAINS INFORMATION THAT IS PROPRIETARY TO MOLEX INCORPORATED AND SHOULD NOT BE USED WITHOUT WRITTEN PERMISSION |  |              |                        |              |                        | SHEET NO. 1 OF 2 |  |



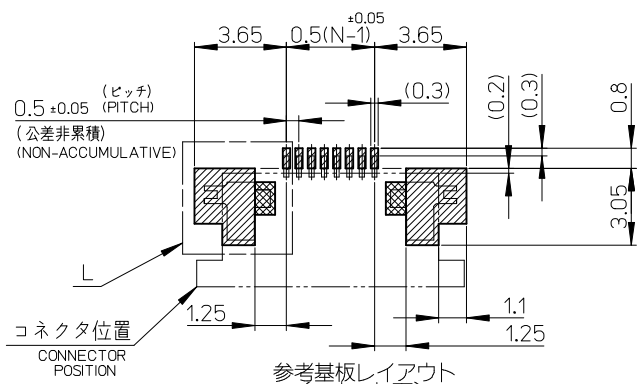
適合錫系めっきFPC推奨寸法  
 APPLICABLE FPC OF TIN  
 PLATING RECOMMENDED DIMENSION  
 仕上がり厚さ: 0.3±0.05  
 THICKNESS: 0.3+0.05/-0.05



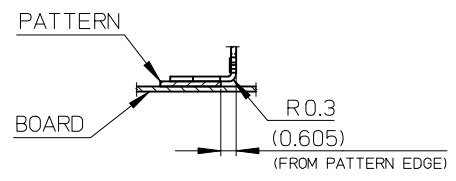
適合錫系めっきFFC推奨寸法  
 APPLICABLE FFC OF TIN  
 PLATING RECOMMENDED DIMENSION  
 仕上がり厚さ: 0.3±0.05  
 THICKNESS: 0.3+0.05/-0.05



DETAIL L



参考基板レイアウト  
 (マウント面)  
 RECOMMENDED P.C.BOARD  
 PATTERN DIMENSION (REF.)  
 (MOUNTING SIDE)



VIEW M  
 (DETAIL OF FITTING NAIL  
 ON PATTERN)

注記NOTES

1. 使用材料  
 MATERIAL  
 ハウジング: 46ナイロン、ガラス充填、UL94V-0、白  
 HOUSING: PA46, GLASS FILLED, UL94V-0, WHITE  
 アクチュエータ: ポリフェニレンサルフィド (PPS)、ガラス充填、UL94V-0、茶色  
 ACTUATOR: POLYPHENYLENE SULFIDE, GLASS FILLED, UL94V-0, BROWN  
 ターミナル: リン青銅、ニッケル下地錫ビスマスめっき (t=0.2)  
 TERMINAL: PHOSPHOR BRONZE, TIN BISMUTH OVER NICKEL PLATING  
 金具: リン青銅、ニッケル下地錫めっき (t=0.2)  
 FITTING NAIL: PHOSPHOR BRONZE, TIN OVER NICKEL PLATING
2. エンボステープ梱包時は、アクチュエータがロックした状態になります。  
 IN THE PACKAGE, ACTUATOR OF PART NO.52437-\*\*-26 SHOULD BE LOCKED.
- △ ソルダータール半田付け面のズレ量、及び金具半田付け面のズレ量は、基準面Hに対して上方向に0.1MAXIMUM、下方向0.15MAXIMUMとする。  
 MISALIGNMENT OF SOLDER TAILS AND FITTING NAILS FROM DATUM-H.  
 UPPER DIRECTION: 0.1MAXIMUM  
 LOWER DIRECTION: 0.15 MAXIMUM
- △ 偶数極に適用  
 APPLY FOR EVEN CIRCUIT.
- △ ハターン剥離止め金具  
 FITTING NAIL FOR PREVENTION OF PEELING OF P.W.B. PATTERN.
- △ R0.3は、FPCの導体部にかからないこと  
 R0.3 MUST NOT BE OVERLAPED TO PATTERN OF FPC.
7. ソルダータールの平坦度は、0.1MAXIMUMとする。  
 SOLDER TAIL COPLANARITY IS 0.1 MAXIMUM.
8. ELV 及び RoHS 適合品  
 ELV AND RoHS COMPLIANT

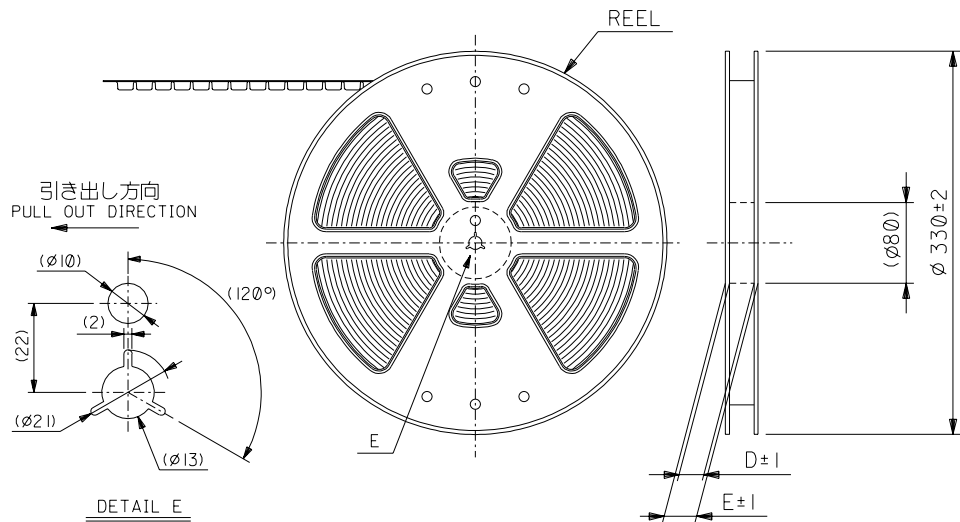
FPCについて:

打抜き方向は導体側から補強板側を推奨致します。  
 補強フィルム材質はポリイミドを推奨致します。  
 接着剤は熱硬化接着剤を推奨致します。

ABOUT FPC:

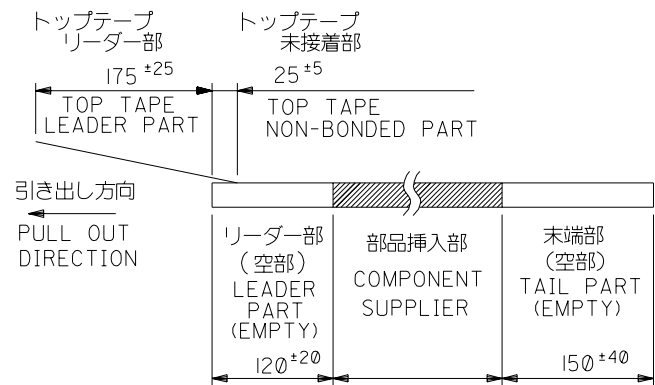
RECOMMENDED PUNCHER DIRECTION :  
 FROM CONDUCTOR SIDE TO STIFFENER BOARD SIDE.  
 RECOMMENDED MATERIAL:  
 STIFFENER FILM : POLYIMIDE  
 BONDING AGENT : THERMOSETTING BONDING AGENT

|  |             |                                       |  |                            |                           |   |                              |                        |  |
|--|-------------|---------------------------------------|--|----------------------------|---------------------------|---|------------------------------|------------------------|--|
| REVISED<br>EC NO: J2013-1532<br>2013/06/21<br>DRWNN:INOUE01<br>2013/06/21<br>CHKDHI:JIMA<br>2013/06/21<br>APPR:YNOGAWA<br>2013/06/28 | DESCRIPTION | GENERAL TOLERANCES (UNLESS SPECIFIED) |  | DIMENSION STYLE<br>MM ONLY |                           | SCALE<br>---  | DESIGN UNITS<br>METRIC       | THIRD ANGLE PROJECTION |  |
|  |             | 10 UNDER                              | ±0.2   | DRAWN BY<br>YSAKIYAM       | DATE<br>'04/01/08         | TITLE<br>0.5 FPC CONN. ZIF FOR SMT R/A (BOTTOM CONTACT) TIN-BISMUTH PLATING |                              |                        |  |
|  |             | 10 OVER 30 UNDER                      | ±0.25  | CHECKED BY<br>MSASAO       | DATE<br>'04/01/08         |   |                              |                        |  |
|  |             | 30 OVER                               | ±0.3   | APPROVED BY<br>MSASAO      | DATE<br>'04/01/08         |   |                              |                        |  |
| REV  | SIZE<br>A3  | ANGULAR ±3 °                          | DRAFT WHERE APPLICABLE MUST REMAIN WITHIN DIMENSIONS |                            | MATERIAL NO.<br>SEE CHART |   | DOCUMENT NO.<br>SD-52437-017 | SHEET NO.<br>2 OF 2    |  |



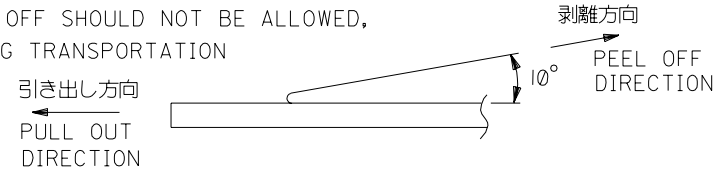
注記 NOTES

- 製品番号 52437-\*\*\*26 の梱包状態はアクチュエータがロックした状態とする。  
 詳細寸法については図面 SD-52437-017 を参照下さい。  
 IN THE PACKAGE,ACTUATOR OF PART NO.52437-\*\*\*26 SHOULD BE LOCKED RE DETAILED DIMENSIONS,SEE SD-52437-017.
- 梱包数量：1000個/リール  
 NUMBER OF CONNECTORS:1000PCS/REEL
- リードテープ長さ LEAD TAPE LENGTH



- トップテープの剥離強度：(剥離方向は下図参照)  
 0.1N~1.3N {10gf~130gf}尚、本規格値は、出荷時に適用。  
 (但し、輸送時に剥離が発生しない事。)

PEELING OFF FORCE OF TOP TAPE  
 0.1N ~1.3N(10gf ~130gf)(PEELING DIRECTION AS SHOWN IN FOLLOWING FIG.)  
 THIS REQUIREMENT SHOULD BE APPLIED AT SHIPMENT  
 PEEL OFF SHOULD NOT BE ALLOWED,  
 DURING TRANSPORTATION



- 材料 (MATERIAL)  
 キャリアテープ (CARRIER TAPE) :ポリプロピレン (POLYPROPYLENE)  
 トップテープ (TOPTAPE) : PET, PE, PEF  
 リール (REEL) : ポリスチレン (PS) <リサイクル材を含む>  
 POLYSTYREN (PS) <RECYCLE MATERIAL CONTAINED>

6. 本製品は 52437-\*\*\*91 の鉛フリー品である。  
 THIS PRODUCT IS LEAD FREE OF 52437-\*\*\*91.

|                                  |                                  |                                  |  |                |   |              |  |  |   |                                  |  |                             |                             |                     |
|----------------------------------|----------------------------------|----------------------------------|--|----------------|---|--------------|--|--|---|----------------------------------|--|-----------------------------|-----------------------------|---------------------|
| EC NO.<br>DRWN:<br>CHK:<br>APPR: | EC NO.<br>DRWN:<br>CHK:<br>APPR: | EC NO.<br>DRWN:<br>CHK:<br>APPR: | REVISED '04/02/09  | MATERIAL<br>材料 | GENERAL TOLERANCES:<br>(UNLESS SPECIFIED)<br>一般公差 | SCALE<br>—// | DESIGN UNITS<br><input checked="" type="checkbox"/> mm <input type="checkbox"/> INCH | THIRD ANGLE<br>PROJECTION              | DIMENSIONS:                             |                                  | SHT  | REV                         |                             |                     |
|                                  |                                  |                                  | EC NO. J2004-2350<br>DRWN: N.AIDA<br>CHK: K.TOJO<br>APPR: M.SASAO      |                |   |              |  |  | FINISH<br>仕上げ                           | 10 UNDER<br>未満                   |  |                             | ±0.2                        | mm<br>mm            |
| A                                | 0                                | REVISED '04/01/08                | EC NO. J2004-1850<br>DRWN: Y.SAKIYAMA<br>CHK: M.SASAO<br>APPR: M.SASAO | DESCRIPTION    | WIRE RANGE<br>適用層被範囲                              | ANGLE 角度     | DRAWN BY & DATE<br>Y.SAKIYAMA '04/01/08  | CHECKED BY & DATE<br>M.SASAO '04/01/08 | APPROVED BY & DATE<br>M.SASAO '04/01/08 | CAD FILENAME<br>SD-52437-018.S01 | TITLE:<br>0.5 FPC Conn Assy ZIF SMT RA<br>With Tape Embstp Pkg -LEAD FREE- | MATERIAL NO.<br>52437-***72 | DRAWING NO.<br>SD-52437-018 | SHEET NO.<br>1 OF 3 |
|                                  |                                  |                                  | INS. RANGE<br>被覆外径   |                |   |              |  |  |   |                                  |  |                             |                             |                     |

DO NOT SCALE DRAWING

DWG. NO.  
SD-52437-018

F

D

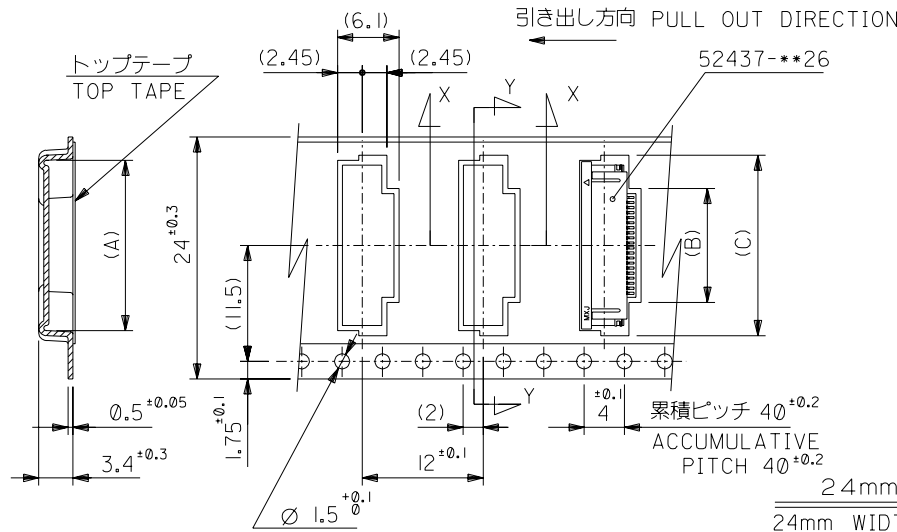
V

C

B

EC NO.  
DRWN:  
CHK:  
APPR:

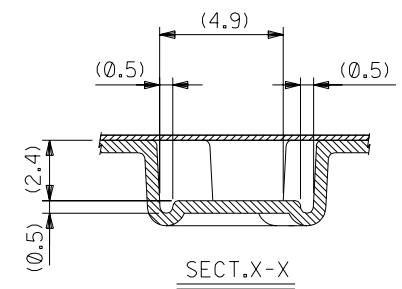
トップテープ  
TOP TAPE



SECT.Y-Y

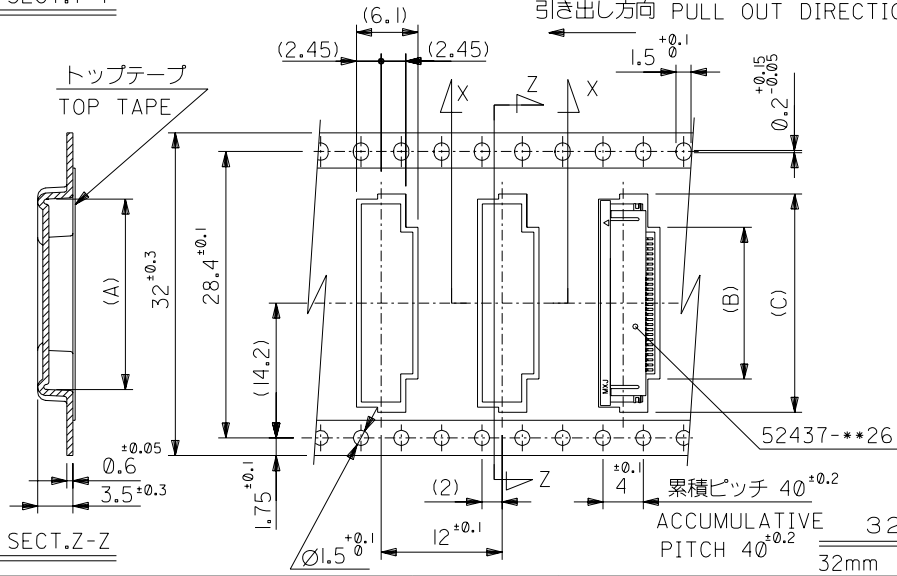
24mm幅キャリアテープ  
24mm WIDTH CARRIER TAPE

引き出し方向 PULL OUT DIRECTION



SECT.X-X

トップテープ  
TOP TAPE



SECT.Z-Z

32mm幅キャリアテープ  
32mm WIDTH CARRIER TAPE

|                                |      |      |            |      |      |              |               |
|--------------------------------|------|------|------------|------|------|--------------|---------------|
| 32                             | 37.4 | 33.4 | 22.4       | 15.8 | 21.4 | 52437-2972   | 29            |
|                                |      |      | 21.9       | 15.3 | 20.9 | -2872        | 28            |
|                                |      |      | 21.4       | 14.8 | 20.4 | -2772        | 27            |
|                                |      |      | 20.9       | 14.3 | 19.9 | -2672        | 26            |
|                                |      |      | 20.4       | 13.8 | 19.4 | -2572        | 25            |
|                                |      |      | 19.9       | 13.3 | 18.9 | -2472        | 24            |
|                                |      |      | 19.4       | 12.8 | 18.4 | -2372        | 23            |
|                                |      |      | 18.9       | 12.3 | 17.9 | -2272        | 22            |
|                                |      |      | 17.9       | 11.3 | 16.9 | -2072        | 20            |
|                                |      |      | 17.4       | 10.8 | 16.4 | -1972        | 19            |
| 24                             | 29.4 | 25.4 | 16.9       | 10.3 | 15.9 | -1872        | 18            |
|                                |      |      | 16.4       | 9.8  | 15.4 | -1772        | 17            |
|                                |      |      | 15.9       | 9.3  | 14.9 | -1672        | 16            |
|                                |      |      | 15.4       | 8.8  | 14.4 | -1572        | 15            |
|                                |      |      | 14.9       | 8.3  | 13.9 | -1472        | 14            |
|                                |      |      | 14.4       | 7.8  | 13.4 | -1372        | 13            |
|                                |      |      | 13.9       | 7.3  | 12.9 | -1272        | 12            |
|                                |      |      | 13.4       | 6.8  | 12.4 | -1172        | 11            |
|                                |      |      | 12.9       | 6.3  | 11.9 | -1072        | 10            |
|                                |      |      | 12.4       | 5.8  | 11.4 | -0972        | 9             |
| 11.9                           | 5.3  | 10.9 | -0872      | 8    |      |              |               |
| 11.4                           | 4.8  | 10.4 | -0772      | 7    |      |              |               |
| 10.9                           | 4.3  | 9.9  | 52437-0672 | 6    |      |              |               |
| キャリアテープ幅<br>CARRIER TAPE WIDTH | E    | D    | (C)        | (B)  | (A)  | MATERIAL NO. | 極数<br>CIRCUIT |

REVISED '04/02/09  
EC NO. J2004-2350  
DRWN: N.AIDA  
CHK: K.TOJO  
APPR: M.SASAO

RELEASED '04/01/08  
EC NO. J2004-1850  
DRWN: Y.SAKIYAMA  
CHK: M.SASAO  
APPR: M.SASAO

MATERIAL 材料  
SHEET 1 OF 3 参照  
REFER TO SHEET 1 OF 3

FINISH 仕上げ

WIRE RANGE 適用 適用範囲

INS. RANGE 被覆 外径

GENERAL TOLERANCES:  
(UNLESS SPECIFIED)  
一般公差

|                     |       |
|---------------------|-------|
| 10 UNDER 未満         | ±0.2  |
| 10 OVER 30 UNDER 未満 | ±0.25 |
| 30 OVER 以上          | ±0.3  |
| ANGLE 角度            | ±3°   |

SCALE 1/1

DESIGN UNITS mm INCH

THIRD ANGLE PROJECTION mm INCH

DIMENSIONS: mm INCH mm ONLY

SHT 2 REV 7

REVISION ON CAD ONLY

DRAWN BY & DATE Y.SAKIYAMA '04/01/08

CHECKED BY & DATE M.SASAO '04/01/08

APPROVED BY & DATE M.SASAO '04/01/08

CAD FILENAME SD-52437-018.S02

MATERIAL NO. 52437-\*\*\*72

DRAWING NO. SD-52437-018

SHEET NO. 2 OF 3

TITLE: 0.5 FPC Conn Assy ZIF SMT RA With Tape Embstp Pkg -LEAD FREE-

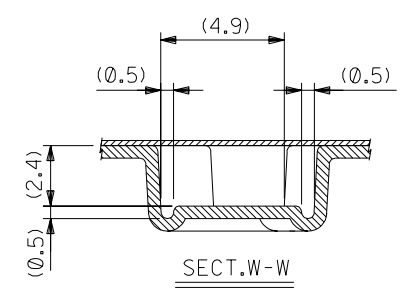
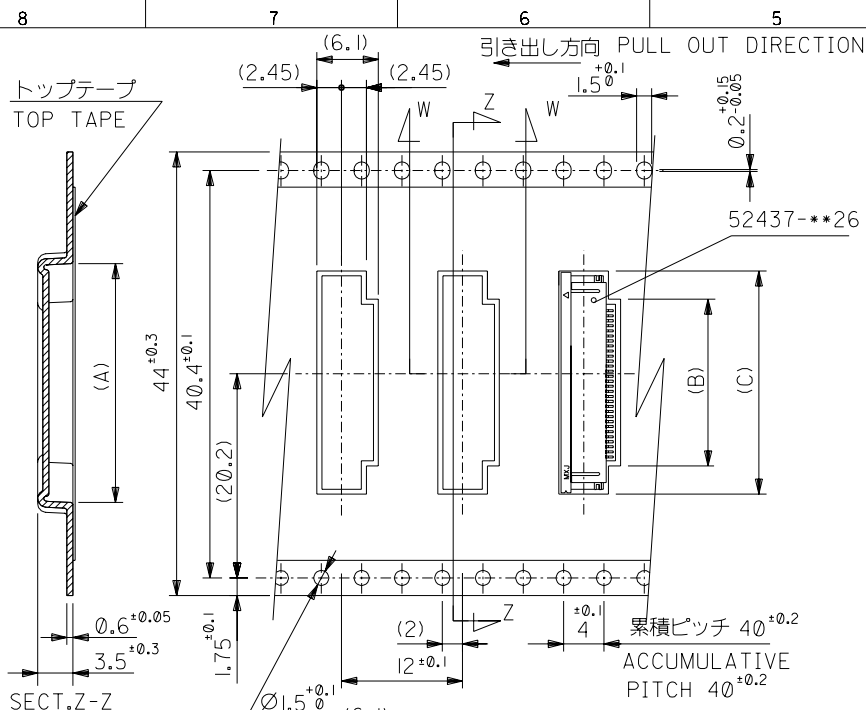
MOLEX MOLEX INCORPORATED

THIS DRAWING CONTAINS INFORMATION THAT IS PROPRIETARY TO MOLEX INCORPORATED AND SHOULD NOT BE USED WITHOUT WRITTEN PERMISSION.

SIZE B

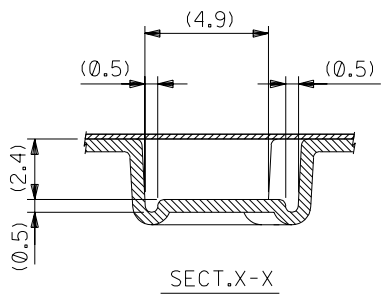
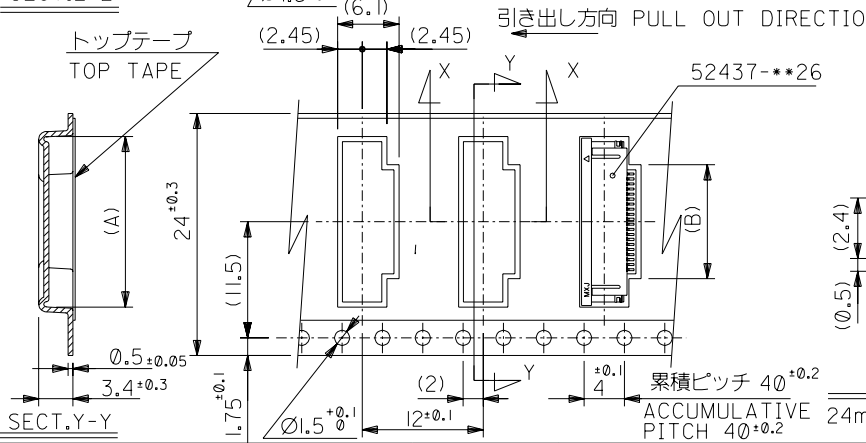
DO NOT SCALE DRAWING

DWG. NO.  
SD-52437-018



44mm幅キャリアテープ  
44mm WIDTH CARRIER TAPE

|                                |      |      |      |      |      |              |               |
|--------------------------------|------|------|------|------|------|--------------|---------------|
| 44                             | 49.4 | 45.4 | 22.9 | 16.3 | 21.9 | 52437-3072   | 30            |
| キャリアテープ幅<br>CARRIER TAPE WIDTH | E    | D    | (C)  | (B)  | (A)  | MATERIAL NO. | 極数<br>CIRCUIT |



24mm幅キャリアテープ  
24mm WIDTH CARRIER TAPE

|                                |      |      |      |      |              |               |
|--------------------------------|------|------|------|------|--------------|---------------|
| 24                             | 29.4 | 25.4 | 11.8 | 17.4 | 52437-2172   | 21            |
| キャリアテープ幅<br>CARRIER TAPE WIDTH | E    | D    | (B)  | (A)  | MATERIAL NO. | 極数<br>CIRCUIT |

|                                  |                                  |                                  |  |  |
|----------------------------------|----------------------------------|----------------------------------|--|--|
| EC NO.<br>DRWN:<br>CHK:<br>APPR: | EC NO.<br>DRWN:<br>CHK:<br>APPR: | EC NO.<br>DRWN:<br>CHK:<br>APPR: | REVISED '04/02/09<br>EC NO. J2004-2350<br>DRWN: N.AIDA<br>CHK: K.TOJO<br>APPR: M.SASAO | RELEASED '04/01/08<br>EC NO. J2004-1850<br>DRWN: Y.SAKIYAMA<br>CHK: M.SASAO<br>APPR: M.SASAO |
| A                                |                                  |                                  |  |  |

|                   |  |  |
|-------------------|--|--|
| MATERIAL 材料       | SHEET 1 OF 3 参照<br>REFER TO SHEET 1 OF 3 |  |
| FINISH 仕上げ        | //                                       |  |
| WIRE RANGE 適用層線範囲 | //                                       |  |
| INS. RANGE 被覆外径   | //                                       |  |

|   |                                      |                            |
|---|--------------------------------------|----------------------------|
| GENERAL TOLERANCES: (UNLESS SPECIFIED) 一般公差 | SCALE 1/1                            | DESIGN UNITS 1mm 1/16 INCH |
| 10 UNDER 未満 ±0.2                            | DRAWN BY & DATE Y.SAKIYAMA '04/01/08 | THIRD ANGLE PROJECTION     |
| 10 OVER 30 UNDER 未満 ±0.25                   | CHECKED BY & DATE M.SASAO '04/01/08  |                            |
| 30 OVER 以上 ±0.3                             | APPROVED BY & DATE M.SASAO '04/01/08 | REVISION: SHT REV          |
| ANGLE 角度 ±3°                                | CAD FILENAME SD-52437-018.S03        | REVISION: CAD ONLY         |

|  |                          |                  |     |        |
|--|--------------------------|------------------|-----|--------|
| DIMENSIONS: <input type="checkbox"/> mm <input type="checkbox"/> INCH <input checked="" type="checkbox"/> mm ONLY              |                          |                  | SHT | REV    |
| TITLE: 0.5 FPC Conn Assy ZIF SMT RA With Tape Embstp Pkg -LEAD FREE-   |                          |                  |     |        |
| MOLEX MOLEX INCORPORATED   |                          |                  |     |        |
| MATERIAL NO. 52437-***72   | DRAWING NO. SD-52437-018 | SHEET NO. 3 OF 3 |     |        |
| THIS DRAWING CONTAINS INFORMATION THAT IS PROPRIETARY TO MOLEX INCORPORATED AND SHOULD NOT BE USED WITHOUT WRITTEN PERMISSION. |                          |                  |     | SIZE B |