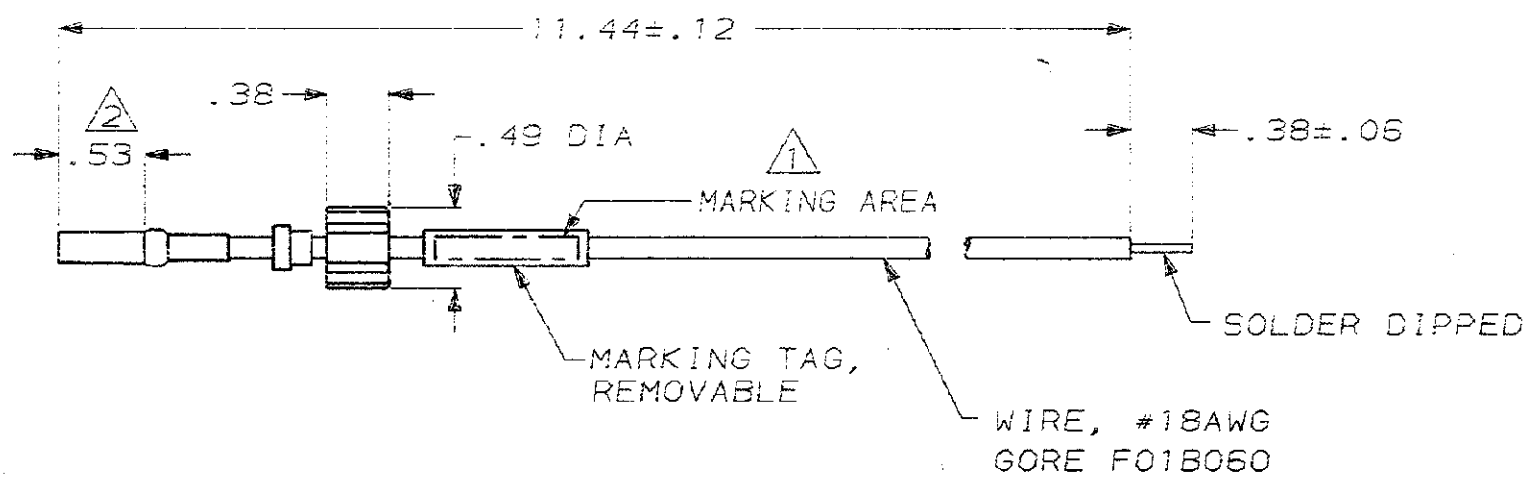


DRAWING MADE IN THIRD ANGLE PROJECTION

THIS DRAWING IS UNPUBLISHED. RELEASED FOR PUBLICATION, 19  
 © COPYRIGHT 19 BY AMP INCORPORATED, HARRISBURG, PA. ALL INTERNATIONAL RIGHTS RESERVED. AMP PRODUCTS MAY BE COVERED BY U.S. AND FOREIGN PATENTS AND/OR PATENTS PENDING.

LOC	DIST	P	F	ZONE	LTR	DESCRIPTION	DATE	APPROVED
L	37					0 WAS 4092-15041-2 RLSE, PR1763	6-86	MG
						A REV ECN S3457	10-14 86	MS



- ① MARKED PER MIL-STD-130.
- ② TO MATE WITH AMP LGH-1/2 RECEPTACLE WITH .53 BARREL DEPTH.

868843-1  
PART NO

UNLESS OTHERWISE SPECIFIED DIMENSIONS ARE IN INCHES TOLERANCES ON: 2 PL DEC = .01 3 PL DEC = - ANGLES ± -	DR	R. HEPNER	6-24-86
	CHK	M. GARDNER	6-24-86
MATERIAL	APPD	M. GARDNER	6-24-86
	APPD	-	-
FINISH	PRODUCT SPEC	-	-
	APPLICATION SPEC	-	-
WEIGHT	-	-	-

<b>AMP</b> AMP INCORPORATED harrisburg, Pa. 17105		
NAME <b>LEAD ASSY, LGH-1/2</b>		
SIZE <b>B</b>	FSCM NO 00779	DRAWING NO 868843
SCALE 1:1	SHEET 1 OF 1	