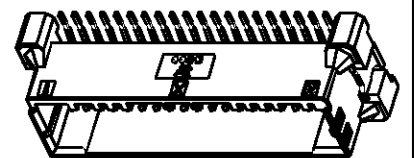


THIS DRAWING IS UNPUBLISHED. RELEASED FOR PUBLICATION 2006
 © COPYRIGHT 2006 BY TYCO ELECTRONICS CORPORATION. ALL INTERNATIONAL RIGHTS RESERVED.

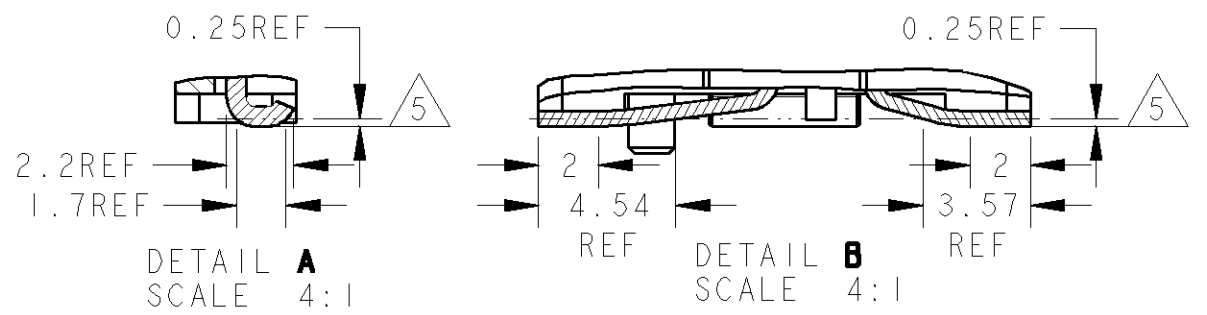
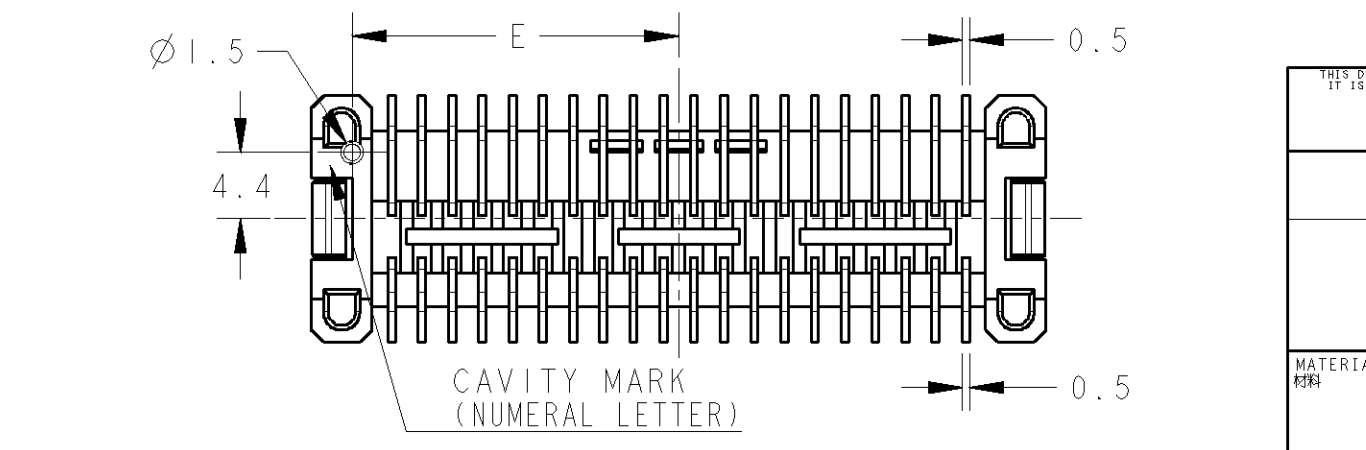
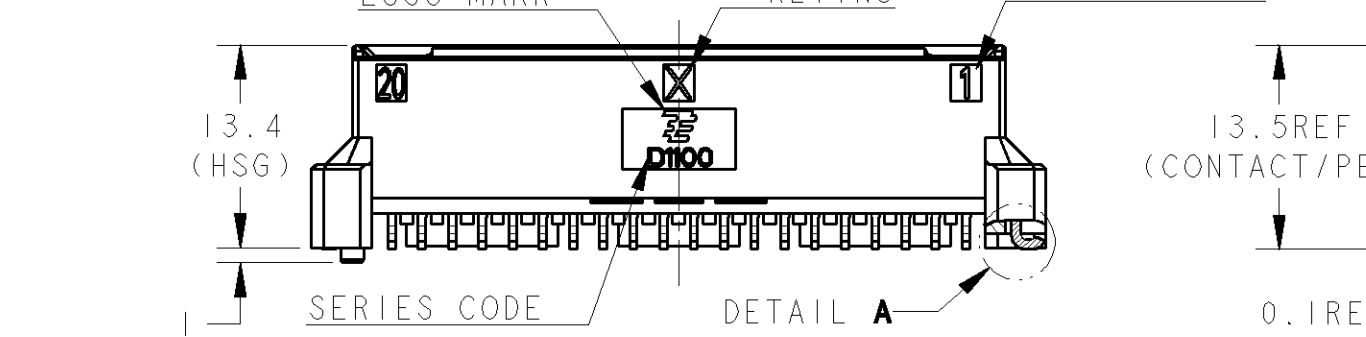
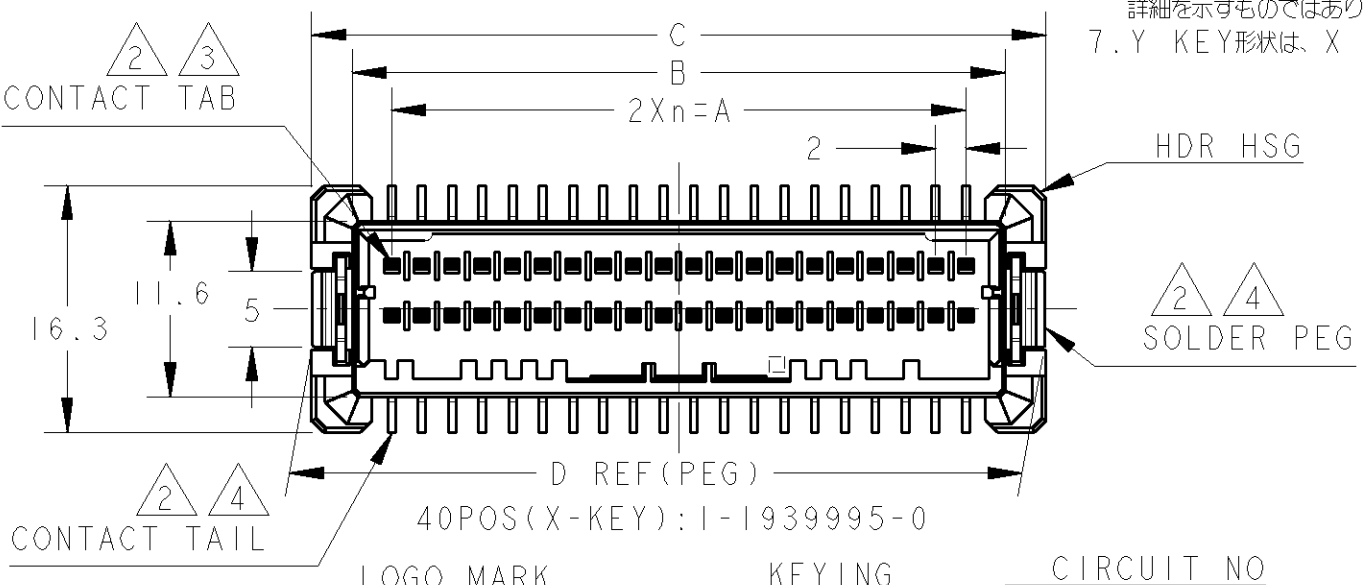
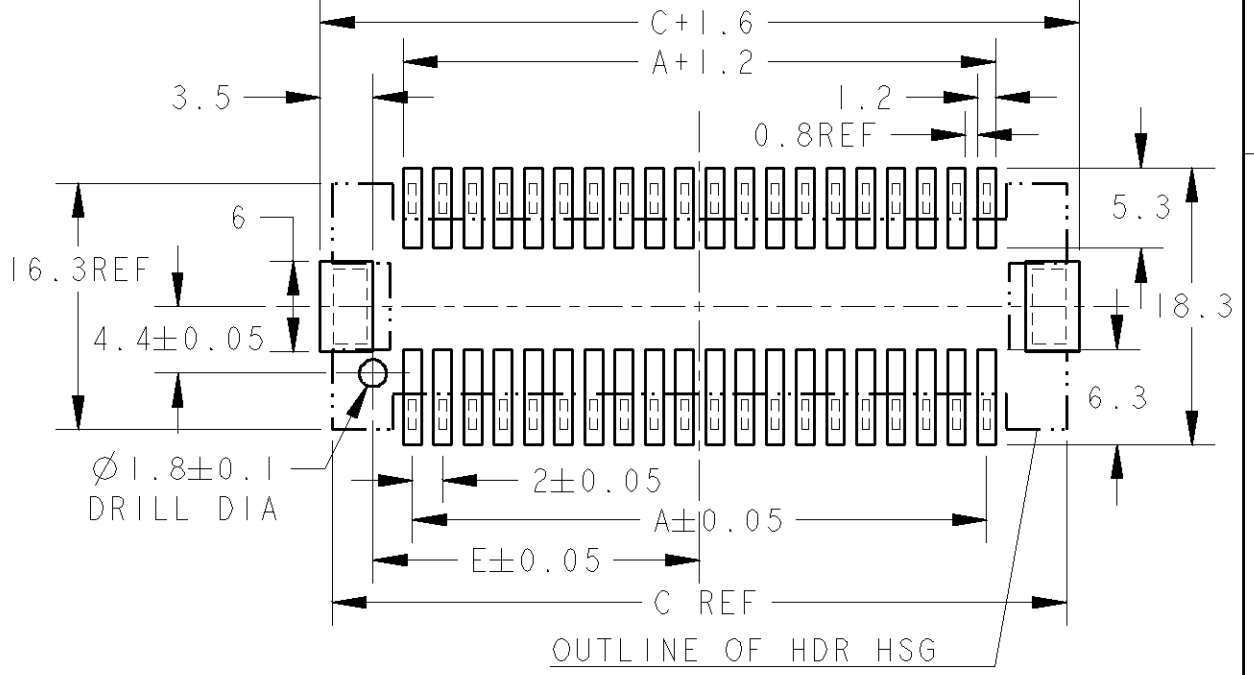
LOC	DIST	REVISIONS					
J		P	LTR	DESCRIPTION	DATE	DWN	APVD
			B	REVISED PER ECR-10-007266	22APR2010	HMR	T.M

- ①. MATERIAL: HOUSING: LIQUID CRYSTAL POLYMER
 COLOR: BLACK
 CONTACT: COPPER ALLOY
 SOLDER PEG: BRASS
- ②. FINISH (ALL OVER): NICKEL PLATING 1.27μm MIN
- ③. FINISH (CONTACT AREA)
 : GOLD PLATING 0.76μm MIN AFTER ②
- ④. FINISH (SOLDER PEG & CONTACT TAIL)
 : TIN PLATING 2μm MIN AFTER ②
- ⑤. COPLANARITY 0.15mm MAX.
 (CONTACT TINE AND SOLDER PEG ONLY)
- 6. THE SHAPE, SIZE AND POSITION OF THE CHARACTER
 SHOW THE OUTLINE. THEY DON'T SHOW DETAILS.
- 7. THE KEYING ARRANGEMENT OF "Y" IS
 SYMMETRIC WITH "X".

- ①. 材料: ハウジング: 液晶ポリマー、色: 黒
 コンタクト: 銅合金
 ソルダーペグ: 黄銅
- ②. めっき (全面): ニッケル下地めっき 1.27μm 以上
- ③. めっき (接触部): ②の上に金めっき 0.76μm 以上
- ④. めっき (ソルダーペグとコンタクト半田付部)
 : ②の上に錫めっき 2μm 以上
- ⑤. コンタクトタイン部及びソルダーペグの
 平面度 (コプラナリティ) は 0.15mm MAX
- 6. 文字の形状、大きさ、および位置等は、大略を示すものであり
 詳細を示すものではありません。
- 7. Y KEY 形状は、X KEY 形状と左右対称



SCALE 1:1



POS	KEY	n	A	B	C	D	E	PART NO
40	Y	19	38.0	43.2	48.6	48.44	21.6	2-1939995-0
40	X	19	38.0	43.2	48.6	48.44	21.6	1-1939995-0
26	Y	12	24.0	29.2	34.6	34.44	14.6	2-1939995-3
26	X	12	24.0	29.2	34.6	34.44	14.6	1-1939995-3

THIS DRAWING IS A CONTROLLED DOCUMENT FOR TYCO ELECTRONICS CORPORATION
 IF IS SUBJECT TO CHANGE AND THE CONTROLLING ENGINEERING ORGANIZATION
 SHOULD BE CONTACTED FOR THE LATEST REVISION.

DWN 06NOV2006 M. MAEBASHI
 CHK 06NOV2006 T. KUDO
 APVD 06NOV2006 D. MITSUGI

PRODUCT SPEC 108-78414
 APPLICATION SPEC 114-5405

WEIGHT

Tyco Electronics Corporation
 Kawasaki, Japan

NAME 名称 DYNAMIC D1100D 2.0mm PITCH
 HDR ASSY, SMT/V-TYPE
 22-40POS

SIZE A3 CAGE CODE 00779 DRAWING NO. C-1939995

CUSTOMER DRAWING SCALE 2:1 SHEET 1 OF 2 REV B

4

3

2

1

THIS DRAWING IS UNPUBLISHED.

RELEASED FOR PUBLICATION

2006

© COPYRIGHT 2006

BY TYCO ELECTRONICS CORPORATION. ALL INTERNATIONAL RIGHTS RESERVED.

LOC

DIST

REVISIONS

変更

P

LTR

DESCRIPTION

DATE

DWN

APVD

SEE SHEET 1 OF 2

Dimensions: C, B, $2Xn=A$, D REF(PEG)

26POS(X-KEY): I-1939995-3

Markings: 13, D1100, 1

Dimension: E

THIS DRAWING IS A CONTROLLED DOCUMENT FOR TYCO ELECTRONICS CORPORATION IT IS SUBJECT TO CHANGE AND THE CONTROLLING ENGINEERING ORGANIZATION SHOULD BE CONTACTED FOR THE LATEST REVISION.		DWN M. MAEBASHI 06NOV2006	Tyco Electronics Corporation Kawasaki, Japan	
DIMENSIONS: 単位: 概 mm		CHK T. KUDO 06NOV2006	NAME 名称 DYNAMIC D1100D 2.0mmPITCH HDR ASSY, SMT/V-TYPE 22-40POS	
TOLERANCES UNLESS OTHERWISE SPECIFIED: 一般公差 0 PLC ± 1 PLC ± 2 PLC ± 3 PLC ± 4 PLC ± ANGLES ±		APVD D. MITSUGI 06NOV2006	DRAWING NO 番号 C=1939995	
MATERIAL 材料		PRODUCT SPEC 製品規格 108-78414	SIZE A3	RESTRICTED TO
FINISH 仕上		APPLICATION SPEC 取付適用規格 114-5405	CAGE CODE 00779	SCALE 尺度 2:1
		WEIGHT	SHEET 2 OF 2	
		CUSTOMER DRAWING	REV B	

1470-19 (2/09)