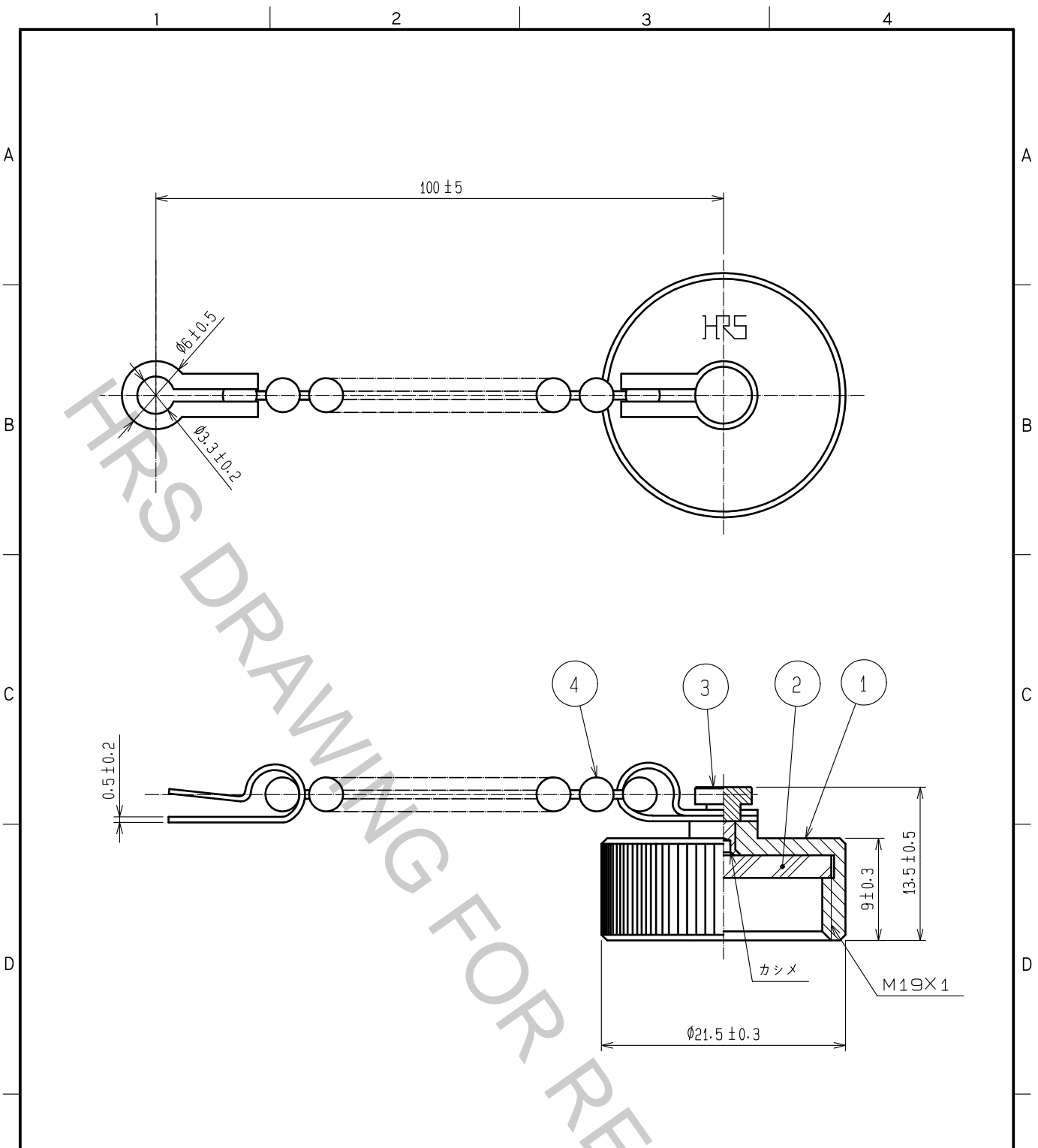


Aug.1.2018 Copyright 2018 HIROSE ELECTRIC CO., LTD. All Rights Reserved.
 In case that the application demands a high level of reliability, such as automotive,
 please contact a company representative for further information.



Note This product is a cap for RM15TR*-*(*), RM15WTR*-*(*). It is applicable regardless of given alphabets or numbers shown at *.
 But, RM15TRD-*(*) won't fit in as an exception. Please be careful.

2	Chloroprene rubber	(Black)	4	Blass	Nickel plating		
1	Blass	Nickel plating	3	Blass	Nickel plating		
NO.	MATERIAL	FINISH . REMARKS	NO.	MATERIAL	FINISH . REMARKS		
UNITS mm		SCALE 2 : 1	COUNT 	DESCRIPTION OF REVISIONS	DESIGNED	CHECKED	DATE
HIROSE ELECTRIC CO., LTD.		APPROVED	・HY. KOBAYASHI	18.02.21	DRAWING NO. EDC-003295-31-00		
		CHECKED	・HY. KOBAYASHI	18.02.21	PART NO. RM15TR-C(31)		
		DESIGNED	・HY. KISHI	18.02.20	CODE NO. CL109-0080-5-31		
		DRAWN	・MK. INOUE	18.02.06	1/1		