

High Density 84-Channel T1/E1/J1 Framer with Integrated VT/TU Mappers and M13

FEATURES

The PM8316 TEMUX-84 is a 155 Mbit/s multi-channel T1/E1 Framer with integrated VT/TU Mappers and M13 Multiplexers.

- This monolithic device integrates:
 - 84 T1 framers
 - 63 E1 framers
 - Three SONET/SDH VT1.5/VT2/TU11/TU12 bit asynchronous or byte synchronous mappers
 - Three full featured M13 multiplexers with DS3 framers
 - Three SONET/SDH DS3 mappers for terminating DS3 multiplexed T1 streams, SONET/SDH mapped T1 streams or SONET/SDH mapped E1 streams
- Each SPE/STS-1 can be independently programmed for various T1, E1 or DS3 modes of operation.
- Supports wide range of T1, E1 and J1 framing formats.
- Supports M23 and C-bit parity DS3 formats.
- Stand-alone unchannelized E3 framer mode (ITU-T Rec. G.751 or G.832) for access to the entire E3 payload.

- Flexible line side and system side interface support :
 - Provides a 19.44 or 77.76 MHz SONET/SDH Add/Drop Telecom bus interface for seamless connection with PMC's SONET/SDH devices.
 - Supports a byte serial Scalable Bandwidth Interconnect (SBI™) bus interface at either 19.44 MHz or 77.76 MHz for high density system side device interconnection to PMC's link layer products.
 - Supports 8 Mbit/s H-MVIP on the system interface for all T1 or E1 links, a separate 8 Mbit/s H-MVIP system interface for all T1 or E1 CAS channels and a separate 8 Mbit/s H-MVIP system interface for all T1 or E1 CCS and V5.1/V5.2 channels.
 - Support for transparent virtual tributaries when SBI interface is used with SONET/SDH mapper.
 - Supports insertion and extraction of arbitrary rate (eg. fractional DS3) data streams to/from the SBI bus interface.
- Provides jitter attenuation in the T1/E1 tributary receive and transmit directions.

- Provides three independent de-jittered T1 or E1 recovered clocks for system timing and redundancy.
- Provides per link diagnostic and line loopbacks.
- Provides PRBS generators and detectors at DS3 and E3 rates and on each tributary for error testing at T1, E1 and NxDS0 rates as recommended in ITU-T O.151, 0.152.
- Feature-rich functional software drivers available with device.
- Provides a generic 8-bit microprocessor bus interface for configuration, control and status monitoring.
- Provides a standard 5 signal P1149.1 JTAG test port for boundary scan board test purposes.

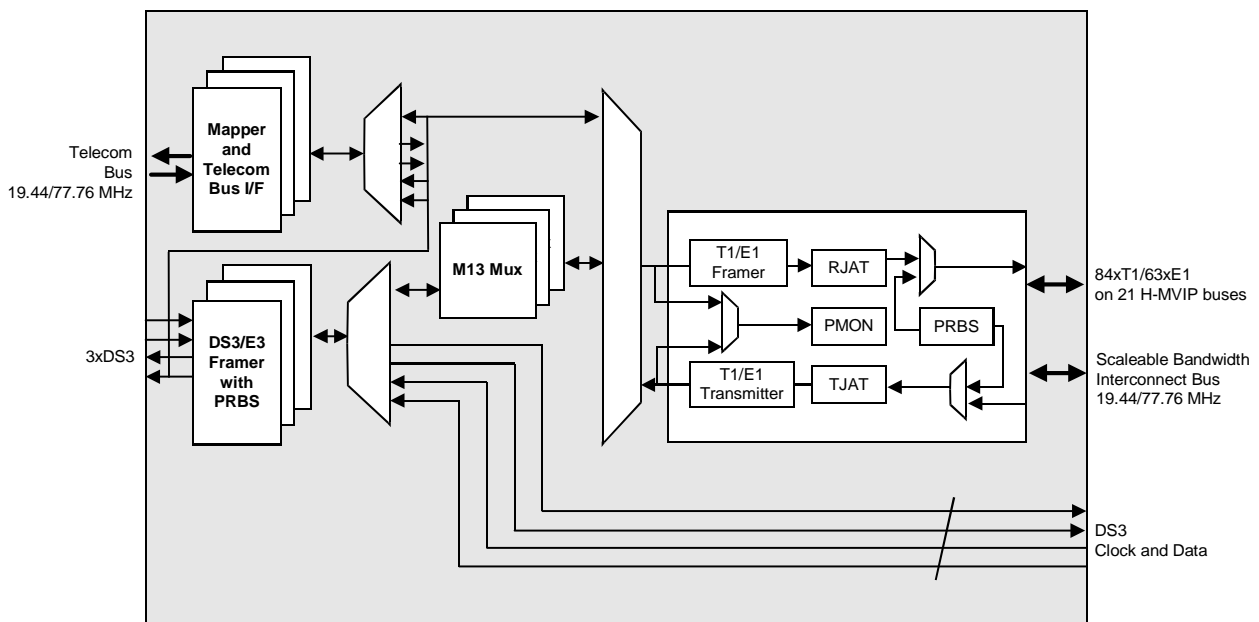
VOLTAGE

- Low power 1.8 V/3.3 V CMOS technology. All pins are 5 V tolerant.

PACKAGE

- 324-pin fine pitch PBGA package (23 mm x 23 mm).
- Supports industrial temperature range (-40 °C to 85 °C) operation.

BLOCK DIAGRAM



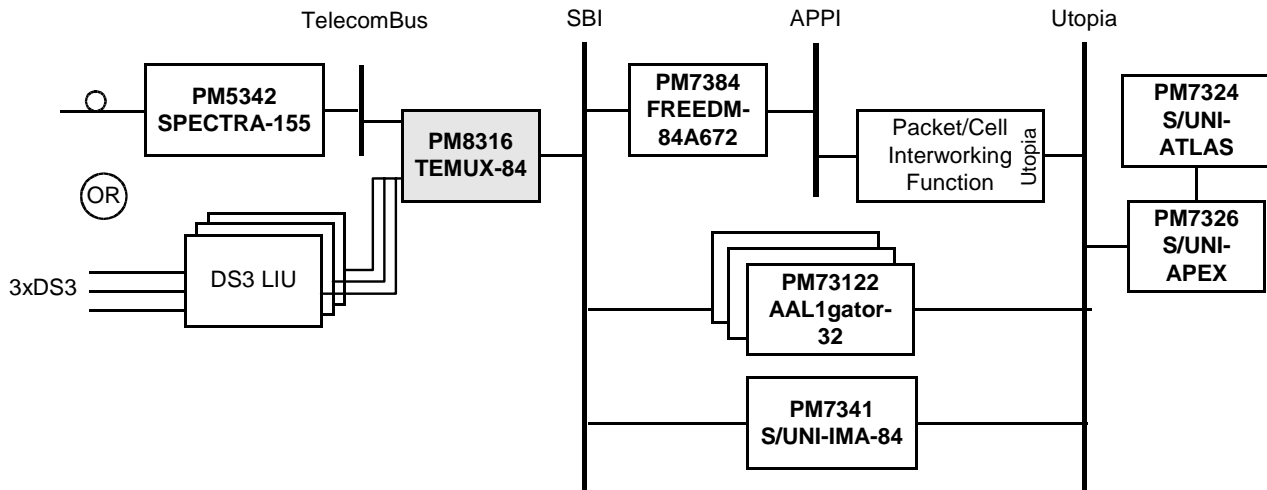
High Density 84-Channel T1/E1/J1 Framer with Integrated VT/TU Mappers and M13

APPLICATIONS

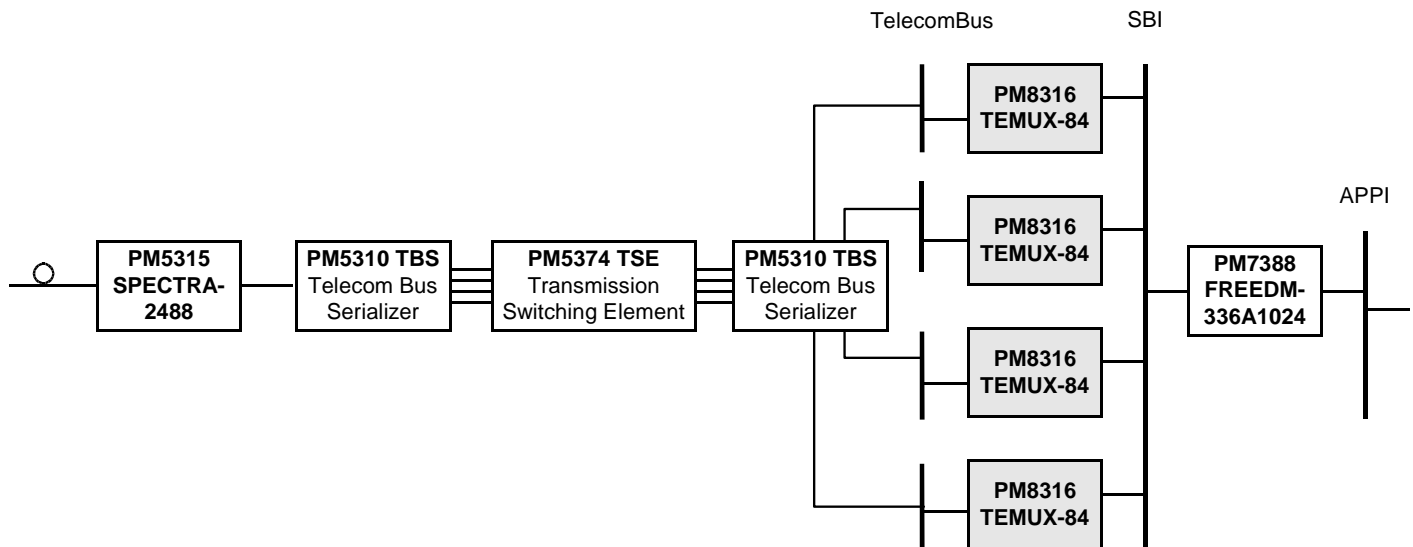
- High density T1/E1 interfaces for multiplexers, multi-service switches, routers and digital modems.
- Channelized and Unchannelized DS3 Frame Relay Interfaces.
- Optical Access Equipment
- SONET/SDH Add Drop and Terminal Multiplexers.
- M13 Multiplexer/Demultiplexer Equipment.
- Digital Access Cross-Connect Systems

TYPICAL APPLICATIONS

ANY-SERVICE-ANY-PORT APPLICATION



HIGH DENSITY FRAME RELAY APPLICATION WITH STS-1 X-CONNECT



Head Office:
 PMC-Sierra, Inc.
 8555 Baxter Place
 Burnaby, B.C. V5A 4V7
 Canada
 Tel: 604.415.6000
 Fax: 604.415.6200

To order documentation,
 send email to:
 document@pmc-sierra.com
 or contact the head office,
 Attn: Document Coordinator

All product documentation is available
 on our web site at:
<http://www.pmc-sierra.com>
 For corporate information,
 send email to:
 info@pmc-sierra.com

PMC-2001514 (p2)
 © Copyright PMC-Sierra, Inc. 2001. All rights reserved. August 2001
 S/UNI is a registered trademark and AAL1gator, Any-PHY, TEMUX-84, SPECTRA-4x155, SPECTRA-2488, FREEDM-84A672, FREEDM-336A1024, SBI, and PMC-Sierra are trademarks of PMC-Sierra, Inc.