

NOTES:

I. MATERIAL:

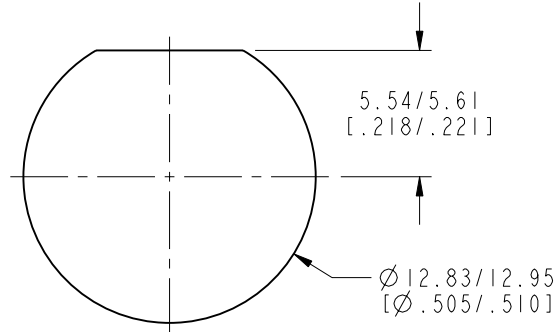
- BODY -ZINC CASTING WITH NICKEL PLATING .00015 INCH / .00020 INCH THICK PER QQ-N-290, OVER COPPER PLATE .0001 INCH / .0002 INCH THICK.
- INSULATOR -PTFE
- CENTER CONTACT -PHOSPOR BRONZE WITH GOLD PLATE .000050 INCH MIN THICK PER MIL-G-45204, TYP 2, GRADE C, OVER NICKEL .000050 INCH MIN, THICK PER QQ-N-290
- MOUNTINGS LEGS -PURE MATTE TIN PLATE OVER NICKEL WISHER FREE.
- TERMINALS -TIN PLATED COPPER WIRE.

- 2. ACCOMODATES UP TO A 3.2 MM THICK PC BOARD AND 4.80 MM PANEL THICKNESS.
- 3. DIELECTRIC WITHSTANDING VOLTAGE: 1500VRMS MAX.
- 4. INSULATION RESISTANCE: 5000MΩ MIN.
- 5. NOMINAL IMPEDANCE: 50 OHMS.
- 6. DO NOT SCALE THIS DRAWING.
- 7. UNLESS OTHERWISE SPECIFIED, ALL DIMENSIONS ARE AFTER PLATING.

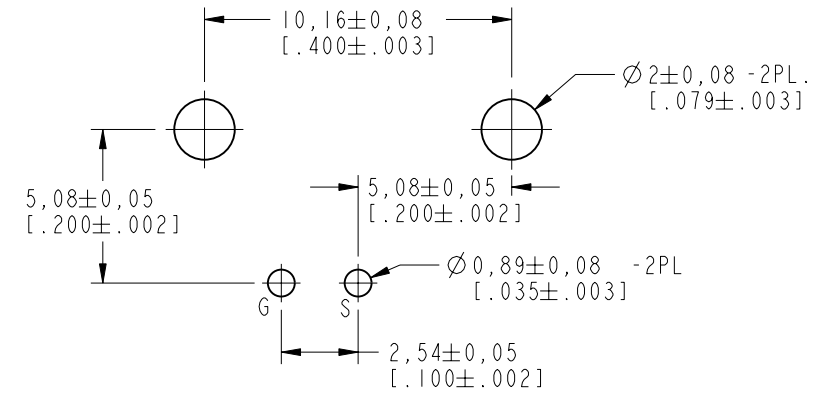
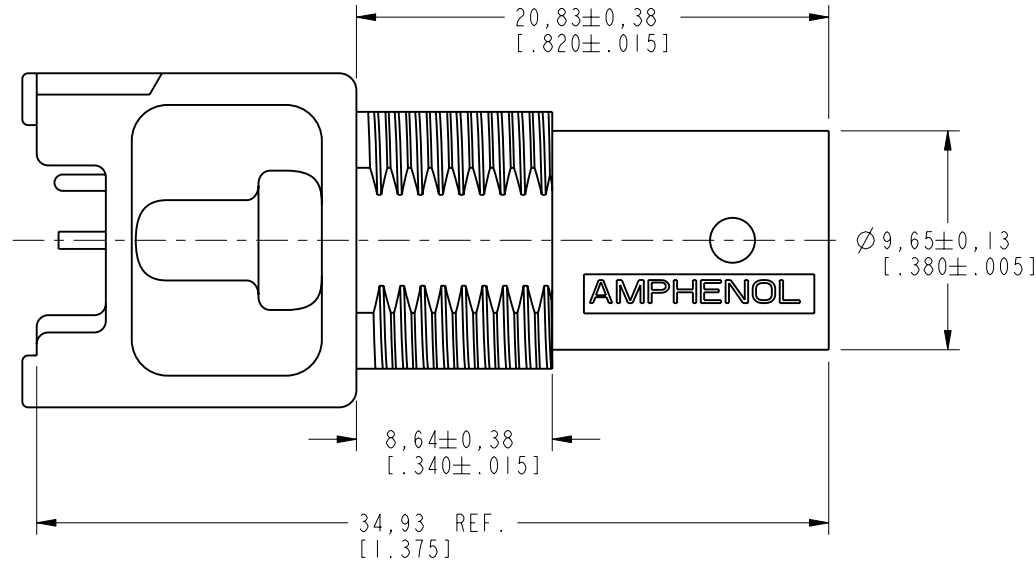
THIRD ANGLE PROJ.

REVISIONS

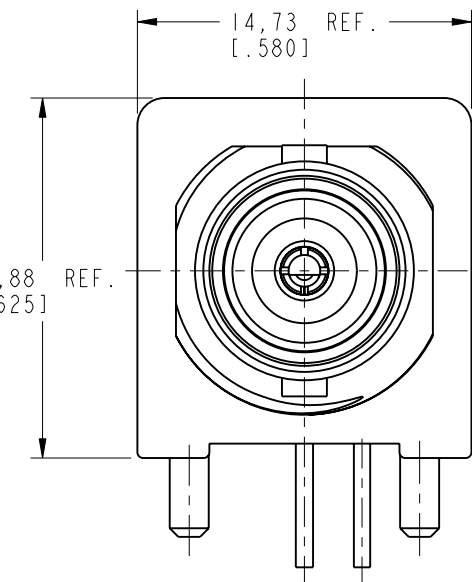
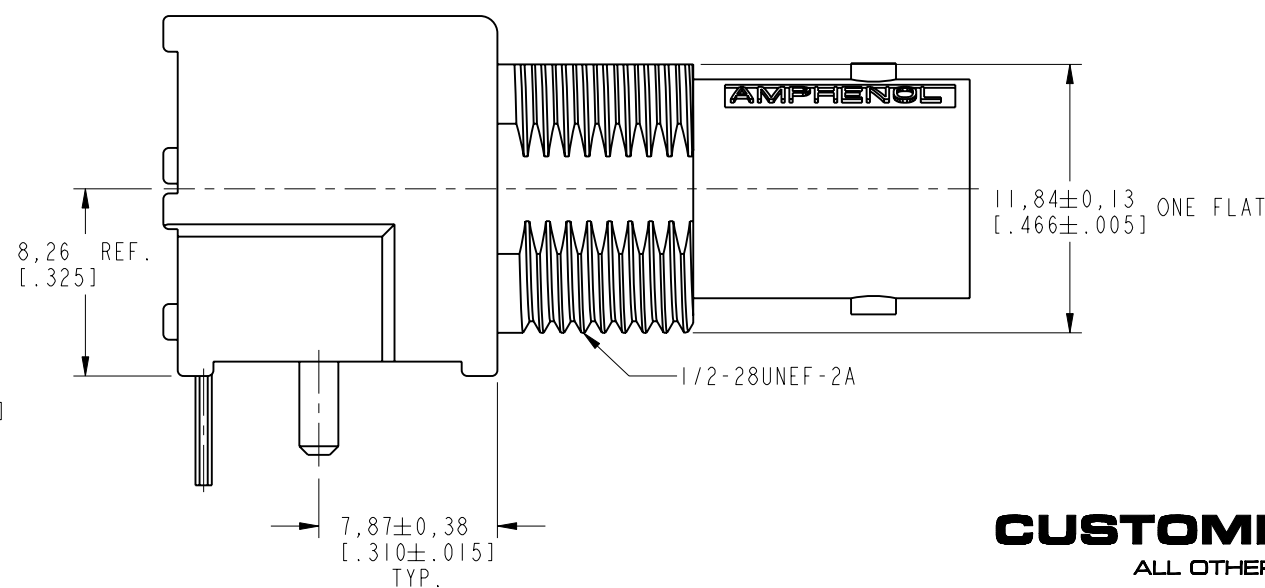
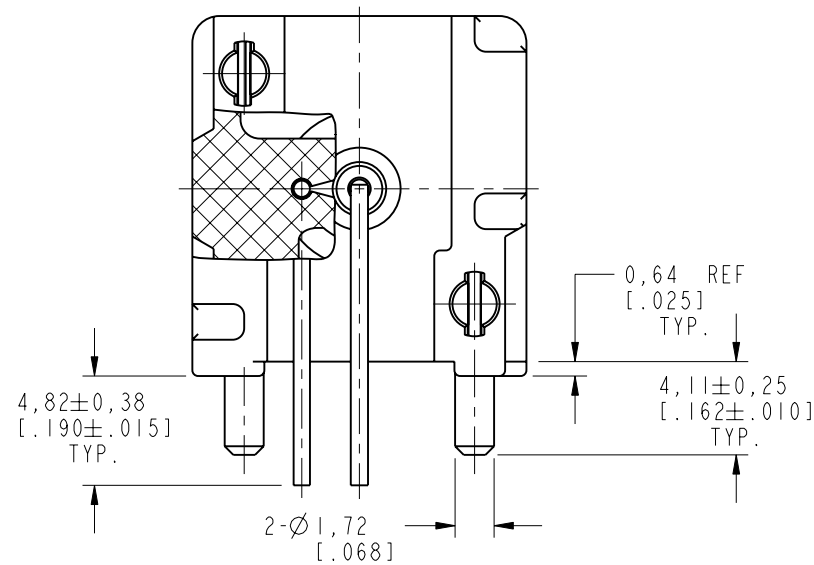
REV	DESCRIPTION	DATE	ECO	APPR
A	RELEASE TO MFG.	5/8/97	41947	CPM/
C	ITEM 2 WAS 31-12070-TC; .162 WAS .160 .187=-.015 WAS (.190)	12/11/98	42689	CPM/
D	ITEM 2 WAS 31-12975-TC	7/6/05	45613	CPM/
E	INS WAS WHITE NORYL	9/10/08	47253	CPM/
F	TRANFER TO ARFA	26-Aug-13	49649	S.H



PANEL CUT-OUT



PC HOLE MOUNTING



CUSTOMER OUTLINE DRAWING

ALL OTHER SHEETS ARE FOR INTERNAL USE ONLY

UNLESS OTHERWISE SPECIFIED, DIMENSIONS ARE IN METRIC AND TOLERANCES ARE:
 0.5 - 6mm ±0.1mm 6 - 30mm ±0.2mm 30 - 120mm ±0.3mm ANGLES ±1°

NOTICE - These drawings, specifications, or other data (1) are, and remain the property of Amphenol corp. (2) must be returned upon request; and (3) are confidential and not to be disclosed to any person other than those to whom they are given by Amphenol Corp. the furnishing of these drawings, specifications, or other data by Amphenol Corp., or to any other person to anyone for any purpose is not to be regarded by implication or otherwise in any manner licensing, granting rights to permitting such holder or any other person to manufacture, use or sell any product, process or design, patented or otherwise, that may in any way be related to or disclosed by said drawings, specifications, or other data.

MATERIAL	DRAWN	DATE	TITLE			<p style="text-align: center;">Amphenol RF</p> Danbury CT USA, Tainan, Taiwan, Shenzhen, China www.amphenolrf.com
	Z. ZHENG	23-Jul-13				
REFERENCE	ENGINEER	DATE	SCALE: 3.0:1.0		DRAWING NO. 31-5506	
EAR 966558-0	C. McGRATH	5/1/97	SHEET 2 OF 2		ITEM NO. 31-5506	
FINISH	APPROVED	DATE	DWG SIZE	CODE ID	REV	PART NO. 31-5506
	D. ROYCE	5/22/97	B	74868	F	
	CAD FILE					
	I: BNC/31-5506					