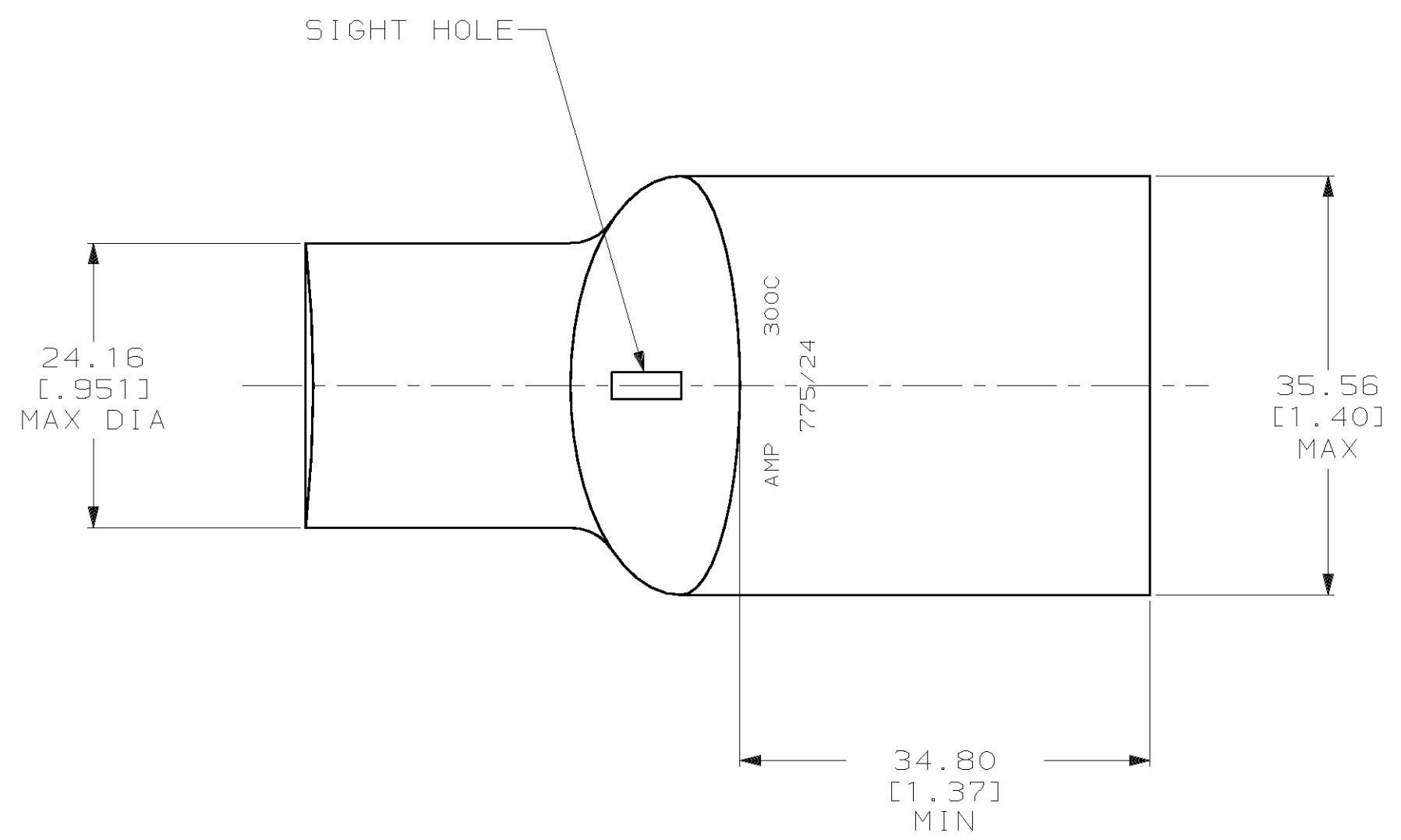
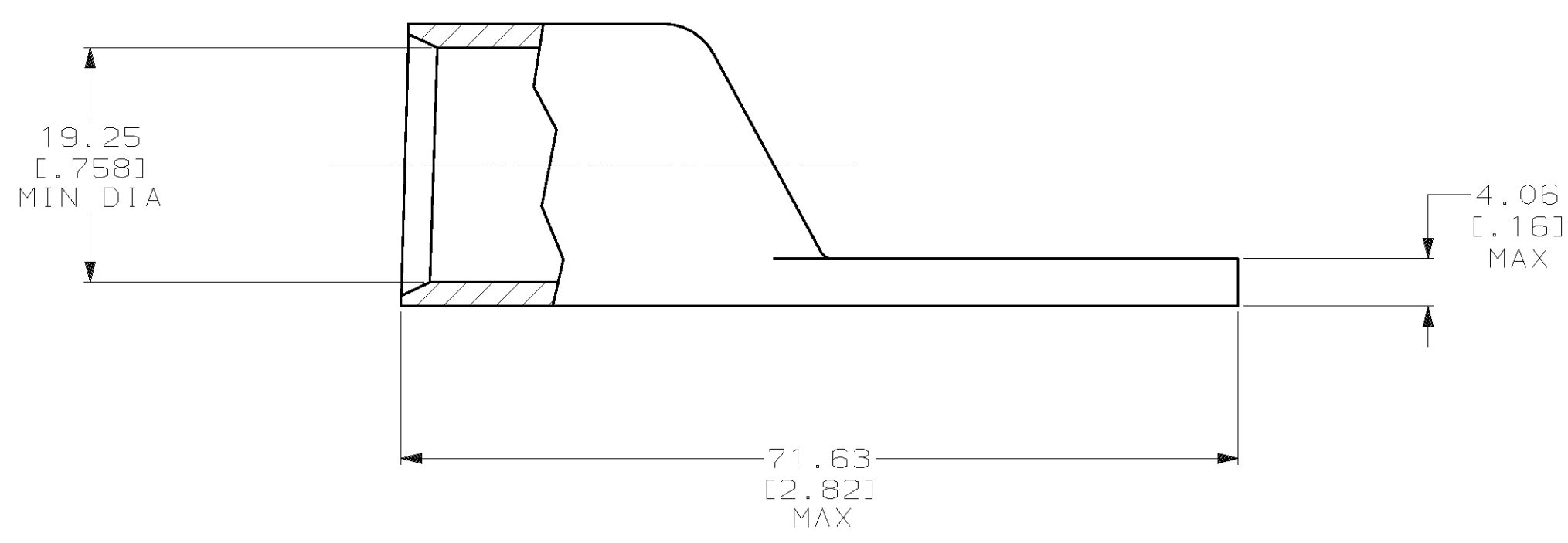


THIS DRAWING IS UNPUBLISHED. RELEASED FOR PUBLICATION ,19 .
 © COPYRIGHT 19 BY AMP INCORPORATED. ALL INTERNATIONAL RIGHTS RESERVED.

LOC		DIST		P		F		ZONE		LTR		REVISIONS		DATE	APPD
G	86											Y	REV PER 0G3A-0561-01	08OCT02	JR/MS



1 CIRCULAR MIL AREA RANGE: 275-325 MCM
 2 CLEANED, UNPLATED



DO NOT SCALE PRINT. UNLESS SPECIFIED DIMENSIONS IN mm [INCHES] TOLERANCES ON : 2 PLC DEC ± 0.51 [.020] 3 PLC DEC ± - ANGLES ± -		DR 03/09/90 DK SCHRUM	2 FINISH		2-325806-2 PART NO	
MATERIAL ANNEALED COPPER ASTM B-75	FINISH SEE TABLE	CHK 23JAN95 MS FEHER	APPD 23JAN95 WJ VOCKROTH	AMP AMP INCORPORATED Harrisburg, Pa. 17105		
		APPD 23JAN95 TL SHUTTER	PRODUCT SPEC 108-30200	NAME TERMINAL, AMPPOWER™ WIRE SIZE 300 MCM		
		APPLICATION SPEC -	WEIGHT .172 LB	SIZE C	CAGE CODE 00779	DRAWING NO 325806
				SCALE 2:1		SHEET 1 OF 1