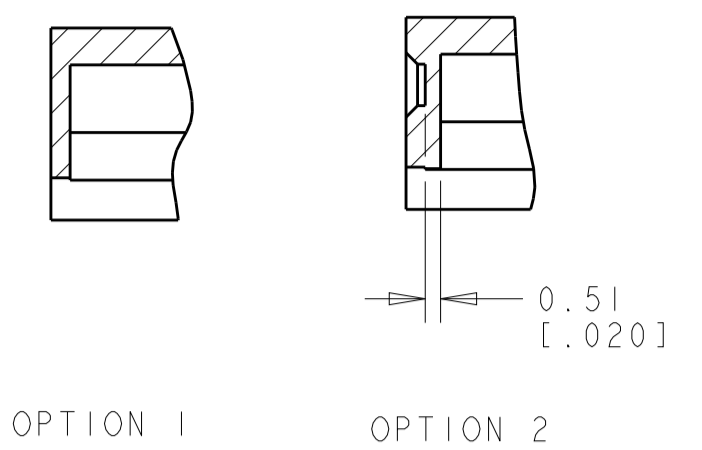
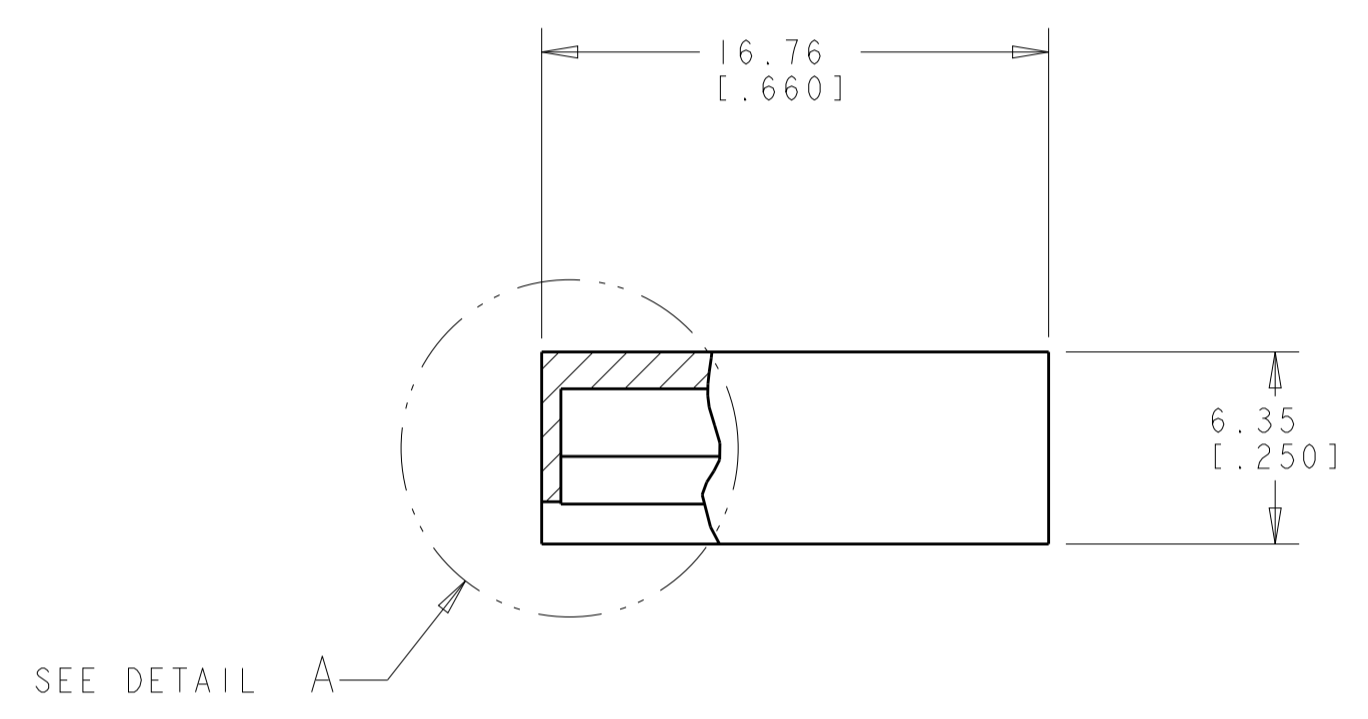
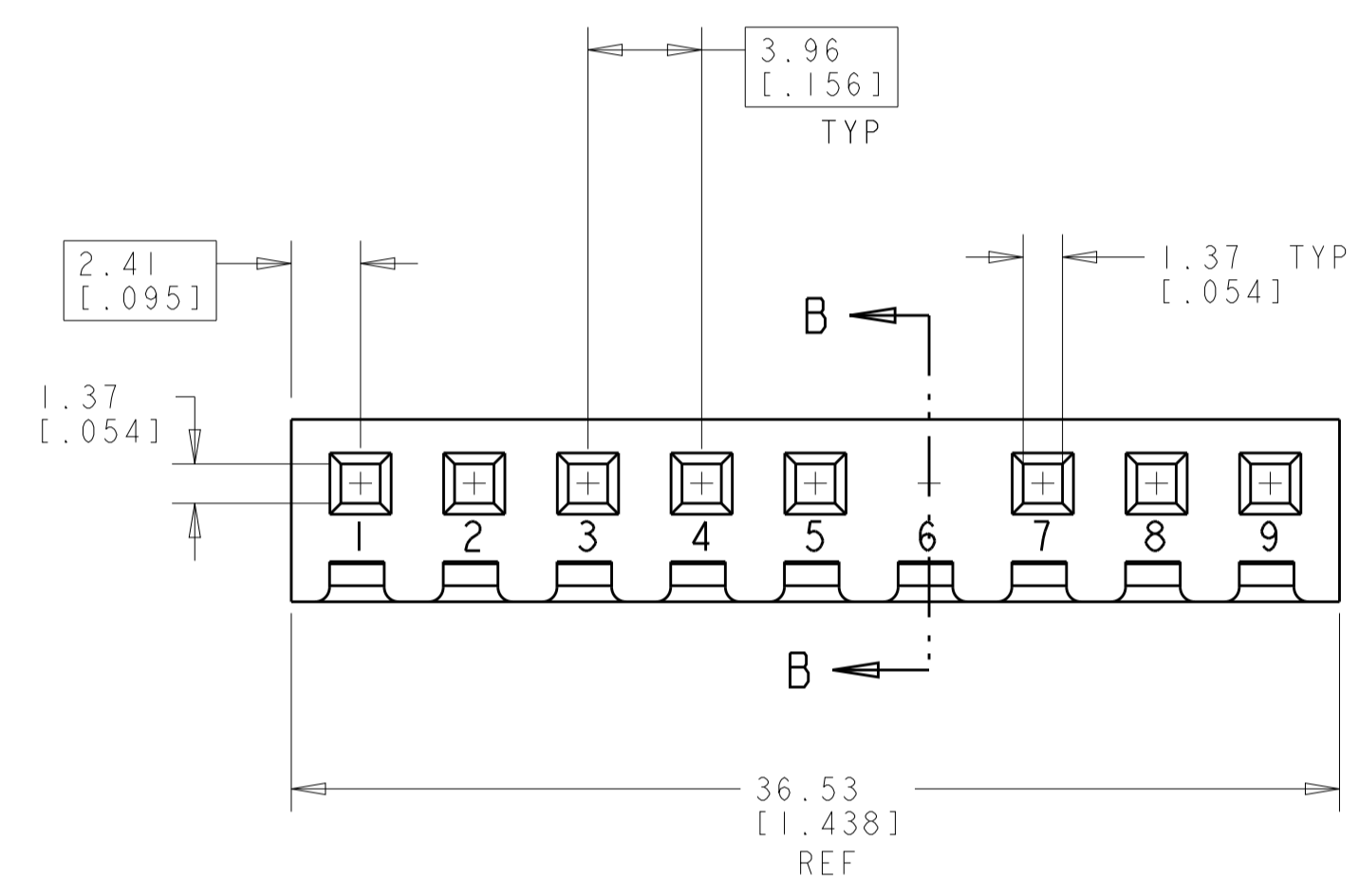


LOC	DIST	REVISIONS					
		P	LTN	DESCRIPTION	DATE	DWN	APVD
CM	00	B		REVISED PER ECO-12-007810	28JUL2012	KH	SM

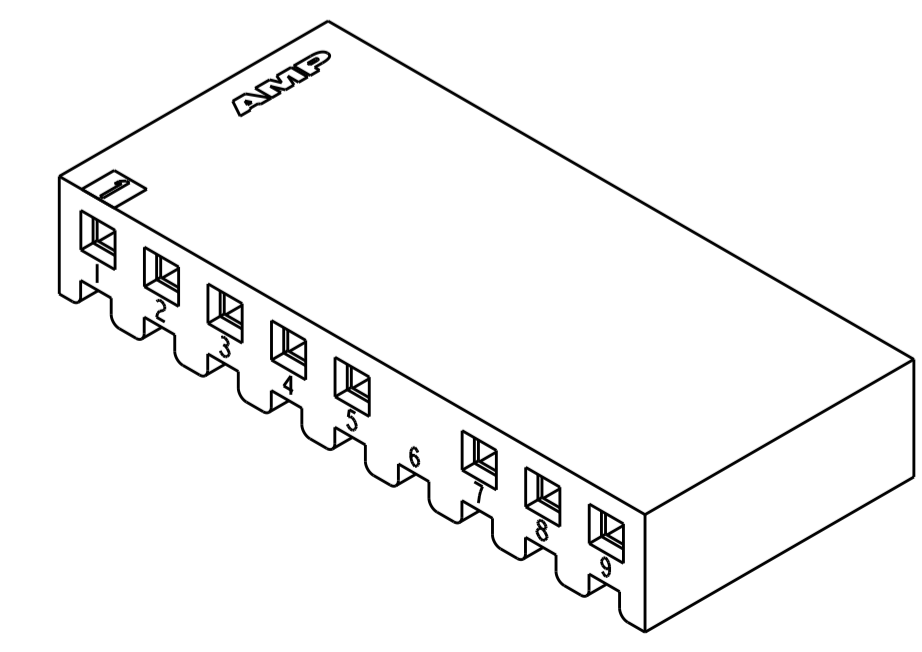
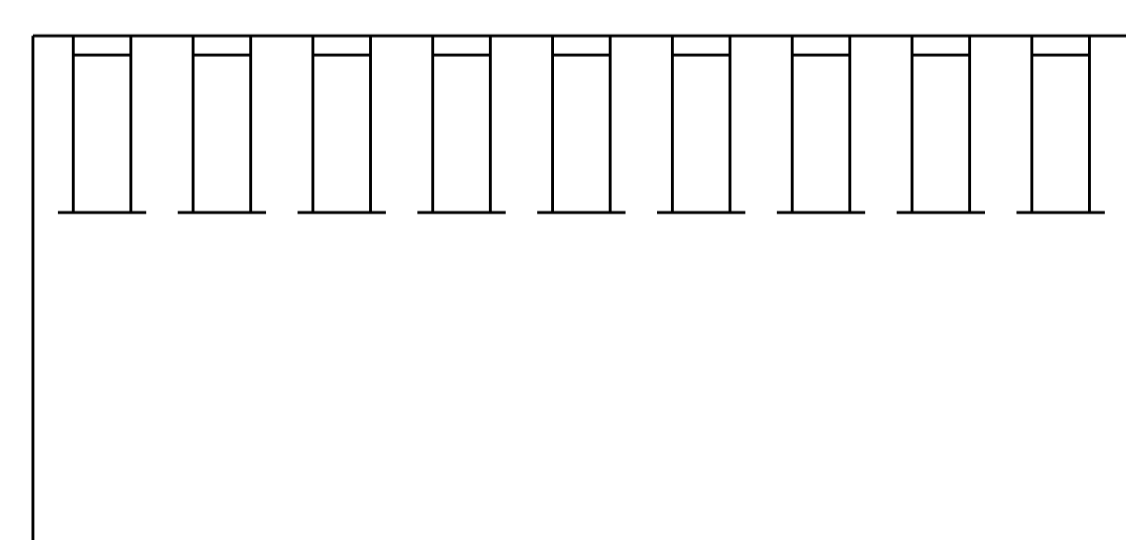
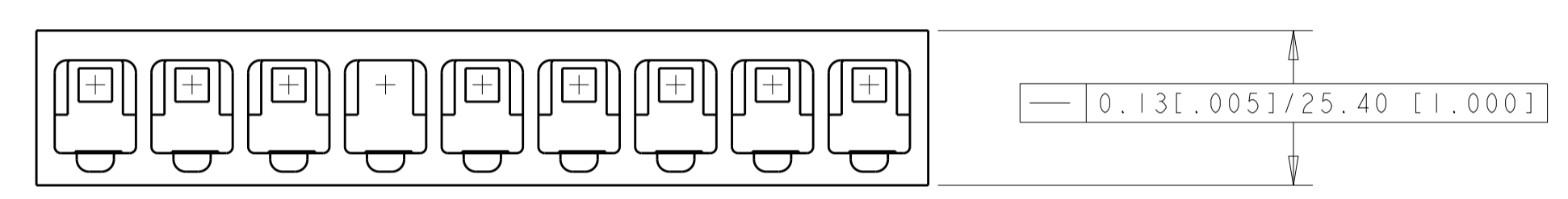


- UNIT ACCEPTS 1.14 [.045] SQUARE OR ROUND POST.
- UNIT ACCEPTS STANDARD SL-156 CONTACTS.
- UNIT ACCEPTS KEYING PLUG 640254-1 AND KEYING PIN 640255-1.
- CIRCUIT I.D. NUMBER(S) TO BE LOCATED SEQUENTIALLY AS SHOWN OR ONLY NO. 1 CIRCUIT PLACED ON LOCKING RAMP.
- DIMENSION IN BRACKETS ARE IN INCHES.
- DETAIL A SHOWS CIRCUIT 6 MOLDED CLOSED. EITHER OPTION 1 OR OPTION 2 MAY BE USED.
- ACCEPTS UP TO 2.79 [.110] INSULATION WIRE.

DETAIL A
 SCALE 4:1



SECTION B-B



3-DIMENSIONAL MODEL
 SCALE 3:1

9	647414-9
NO OF CIRCUITS	PART NUMBER

THIS DRAWING IS A CONTROLLED DOCUMENT.		DWN K. WHITAKER 11-FEB-04	TE Connectivity
DIMENSIONS: mm [INCHES]		CHK J. ELLIS 11-FEB-04	
TOLERANCES UNLESS OTHERWISE SPECIFIED:		APVD J. ELLIS 11-FEB-04	NAME HOUSING, WITH LOCKING RAMP, SL-156, FOR LARGE WIRE INSULATION, CIRCUIT 6 BLOCKED
0 PLC ±	1 PLC ±	PRODUCT SPEC	SIZE A100779
2 PLC ±	3 PLC ±	APPLICATION SPEC	CAGE CODE C=647414
4 PLC ±	5 PLC ±	FINISH	RESTRICTED TO
ANGLES ±	FINISH	WEIGHT	SCALE 4:1 SHEET 1 OF 1 REV B
MATERIAL NATURAL, UL94V-0 NATURAL		CUSTOMER DRAWING	