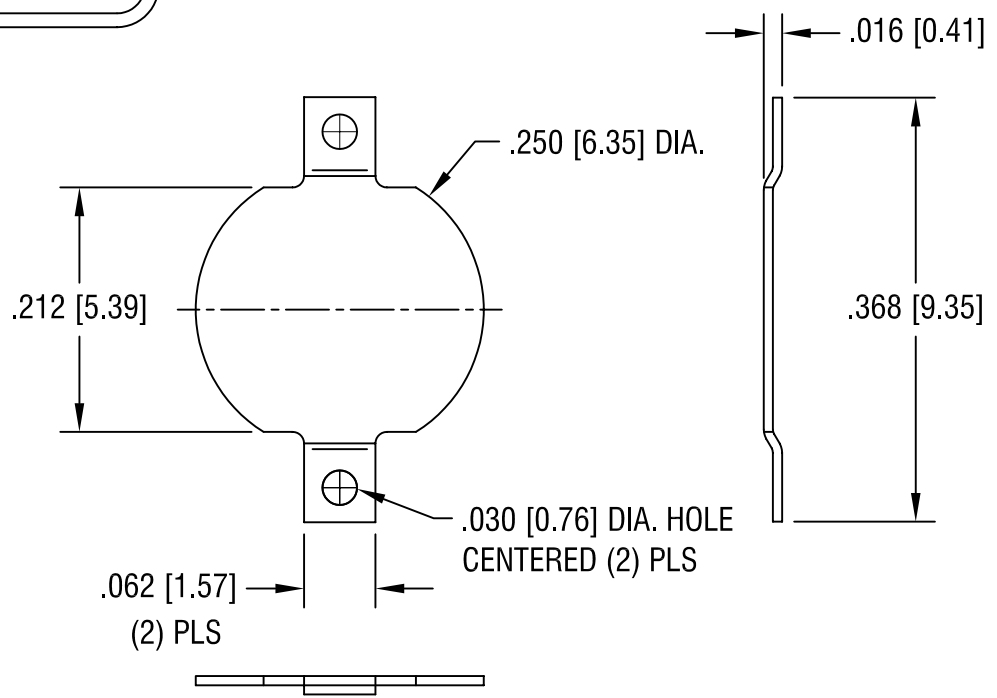
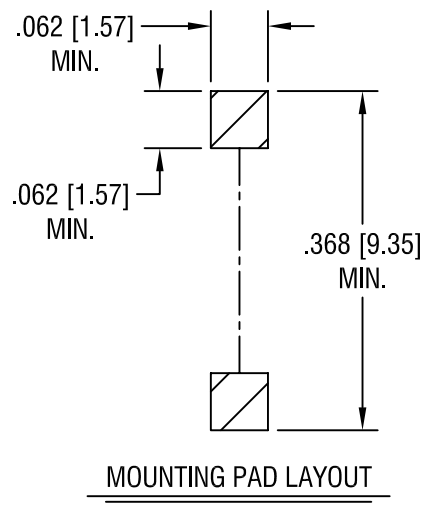


THIS DOCUMENT IS THE PROPERTY OF  
 KEYSTONE ELECTRONICS CORP. AND  
 SHALL NOT BE REPRODUCED, DISTRIBUTED  
 OR USED AS A BASIS FOR MANUFACTURE  
 WITHOUT PRIOR WRITTEN PERMISSION  
 FROM KEYSTONE ELECTRONICS CORP.



5.9.06	CHANGE AS PER ECN 06-028	A
DATE	DESCRIPTION	REV.

<b>KEYSTONE ELECTRONICS CORP.</b>			
ASTORIA, N.Y. 11105-2017			
PART NAME			
COIN CELL SM NEGATIVE CONTACT			
MATERIAL			
.008 [.20] TH'K BRASS			
FINISH		DRN BY	DATE
TIN NICKEL PLATE		BOONE	12.20.05
		APP'D	SCALE
		LN	6X
TOLERANCES	INCH [MM]	CODE	DWG NO.
DECIMAL	± .005 [± 0.15]	C	2991
ANGULAR	±		
UNLESS OTHERWISE SPECIFIED			