

THIS DRAWING IS UNPUBLISHED.

RELEASED FOR PUBLICATION

REVISIONS

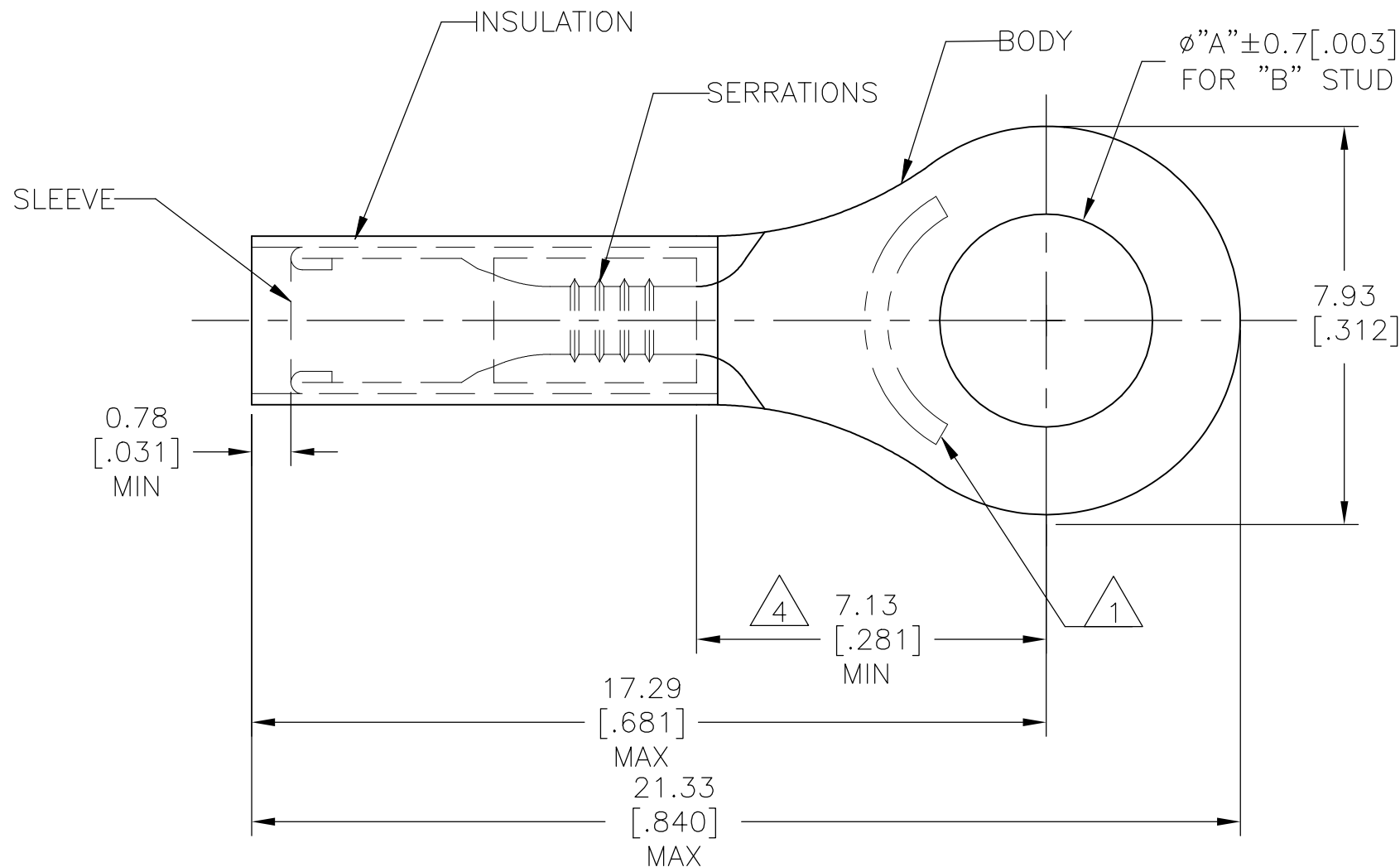
© COPYRIGHT - By -

ALL RIGHTS RESERVED.

P	LTR	DESCRIPTION	DATE	DWN	APVD
	M3	REVISED PER ECO-15-016493	27NOV2015	NK	DR
	M4	REVISED PER ECO-17-016703	02APR2018	RS	DR

AMP
WIRE RANGE

22-20 AWG
STRANDED



- 1 STAMP AMP 22-20 APPROX AS SHOWN
- 2 FOR 0.88[.035] TO 2.54[.100] WIRE INSULATION DIA
- 3 BODY MATERIAL THK: 0.58±0.05[.023±.002]
- 4 DIMENSION APPLIES FROM EDGE OF METAL WIRE BARREL TO CENTER OF STUD HOLE.
- 5 BODY: MATERIAL - COPPER ASTM B152
FINISH - GOLD PLATE ASTM B488
TYPE I, CODE C 0.0012[.00005] MIN EXT. THK. OVER
NICKEL PLATE SAE AMS QQ-N-290
0.00076[.00003] AVG EXT. THK.
- 6 SLEEVE: MATERIAL - COPPER ASTM B152
FINISH - NICKEL PL. SAE AMS QQ-N-290
0.00076 [.00003] AVG EXT. THK.
- 7 INSULATION:
MATERIAL - PTFE (ASTM D3295)
COLOR: GREEN
- 8 NOTE DELETED

7	#10	5.00[.197]	1000	LOOSE PIECE	1-332434-0
7	M4[#8]	4.34[.171]	1000	LOOSE PIECE	332434
	"B"	"A"	QTY	PACKAGE TYPE	PART NO.

AMP INCORPORATED
CUSTOMER SERVICE SYSTEMS

MAX RECOMMENDED OPERATING TEMPERATURE:

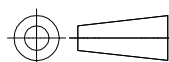
260°C [500°F]

VOLTAGE RATING:
300V MAX

CIRCULAR MIL AREA:
0.26-0.65mm²[509-1,290]
STRANDED WIRE ONLY

THIS DRAWING IS A CONTROLLED DOCUMENT.

DIMENSIONS:
mm [INCHES]



MATERIAL



TOLERANCES UNLESS OTHERWISE SPECIFIED:

0 PLC ± -
 1 PLC ± 0.5 [.02]
 2 PLC ± 0.12 [.005]
 3 PLC ± -
 4 PLC ± -
 ANGLES ± 1°

FINISH



DWN JR RUTH 28JAN03

CHK T MICHIELUTTI 28JAN03

APVD T MICHIELUTTI 28JAN03

PRODUCT SPEC

APPLICATION SPEC

WEIGHT

CUSTOMER DRAWING



TE Connectivity Ltd.

TERMINAL, PIDG,
STRATO-THERM, RING TONGUE,
22-20 AWG

SIZE	CAGE CODE	DRAWING NO	RESTRICTED TO
A3	00779	C-332434	-

SCALE 8:1 SHEET 1 OF 1 REV M4