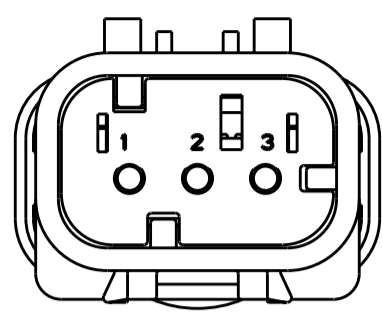
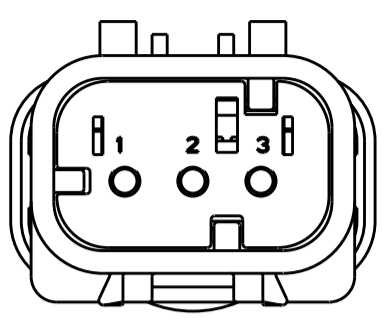


THIS DRAWING IS UNPUBLISHED. RELEASED FOR PUBLICATION
 © COPYRIGHT 20 BY - ALL RIGHTS RESERVED.

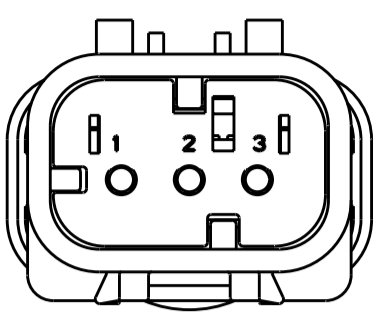
LOC	DIST	REVISIONS					
GE	00	P	LTR	DESCRIPTION	DATE	DWN	APVD
			D3	REVISED PER ECO-11-005030	12MAR2011	RK	HMR



776430-2
SCALE 2:1
KEY B

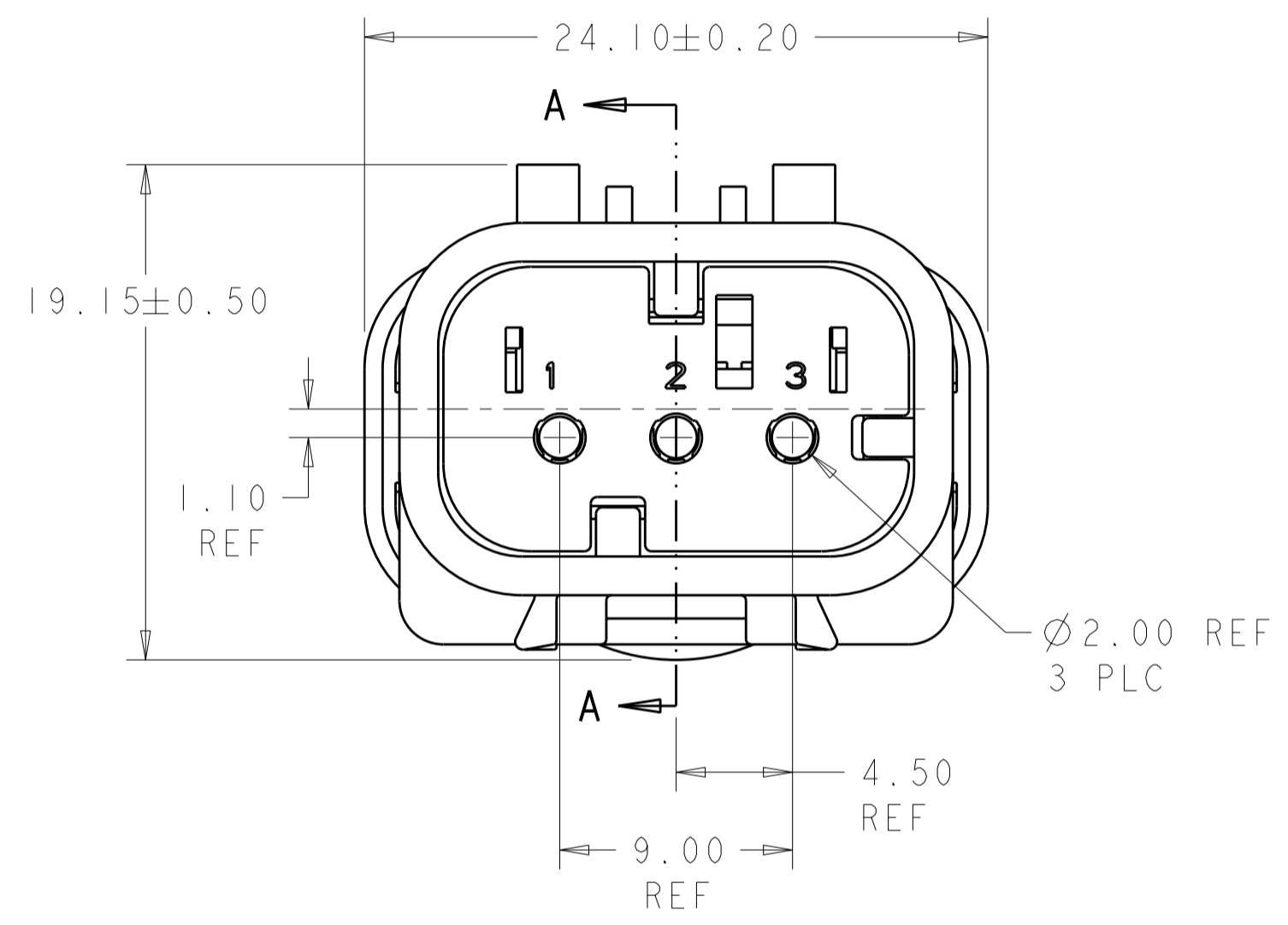


776430-3
SCALE 2:1
KEY C

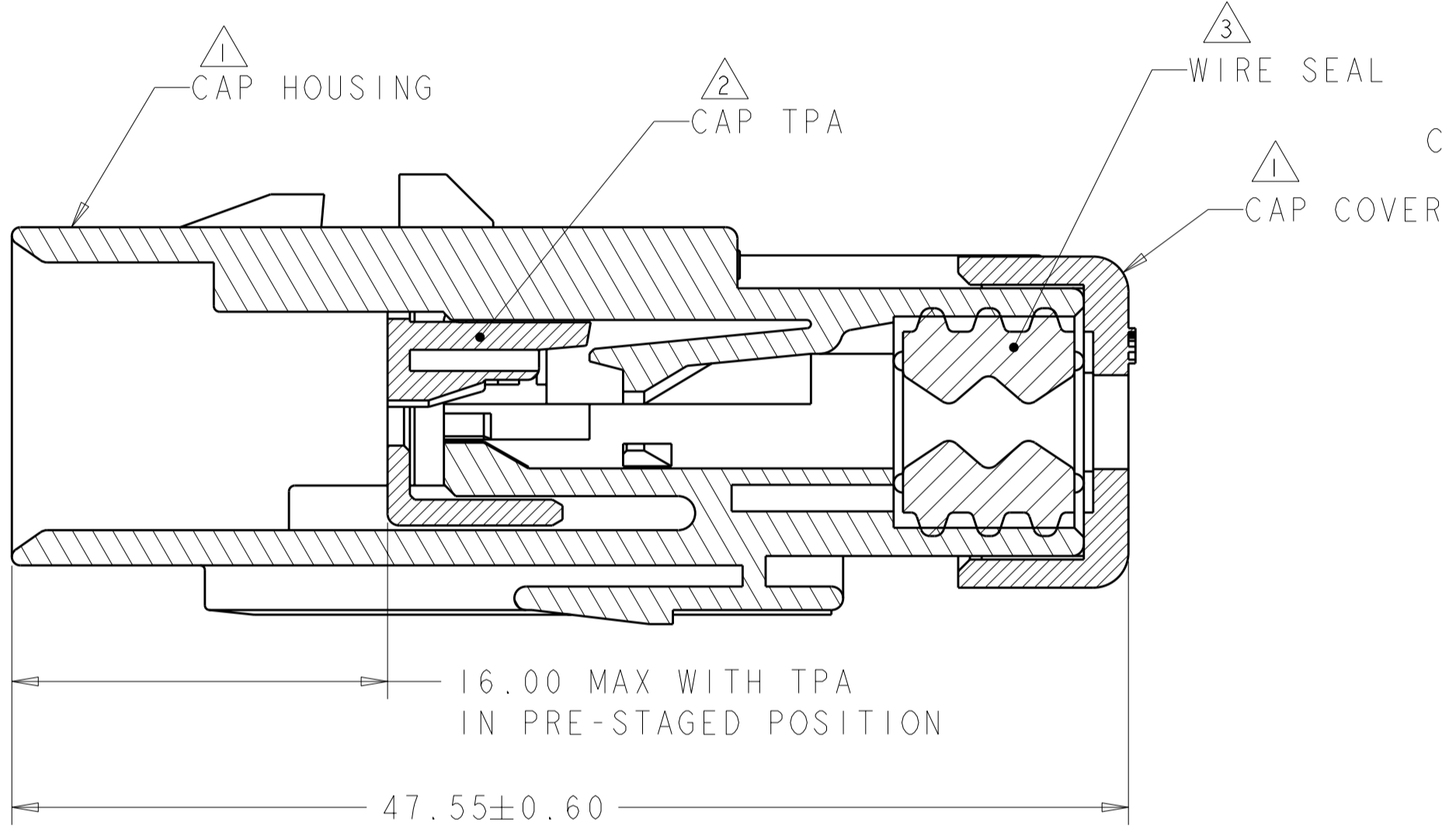


776430-4
SCALE 2:1
KEY D

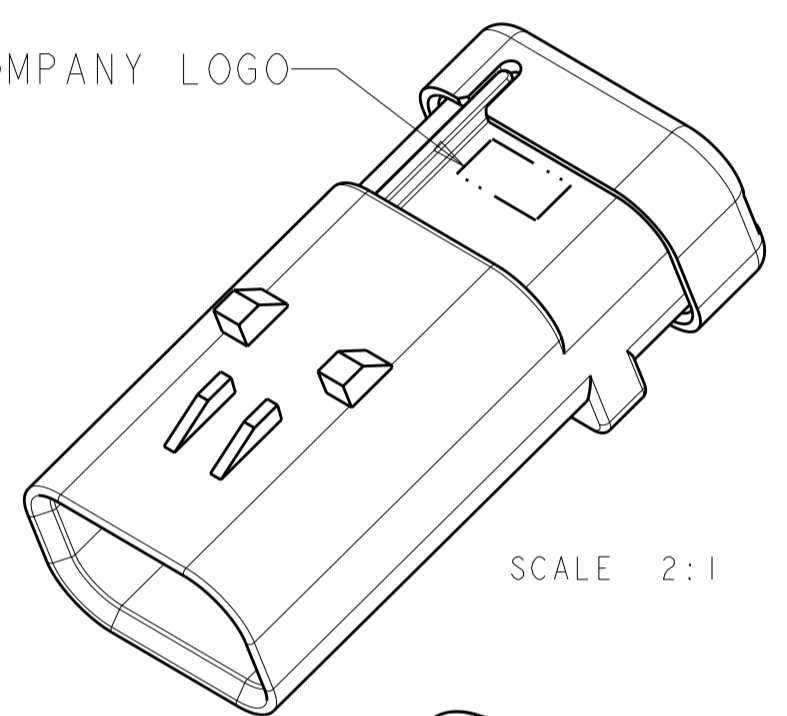
- 1 MATERIAL: 15% GLASS FILLED THERMOPLASTIC
COLOR: BLACK
- 2 MATERIAL: 15% GLASS FILLED THERMOPLASTIC
COLOR: (SEE TABLE)
- 3 MATERIAL: SILICONE
COLOR: YELLOW
- 4. RECOMMENDED WIRE DIAMETER RANGE IS 2.18 TO 3.67mm.



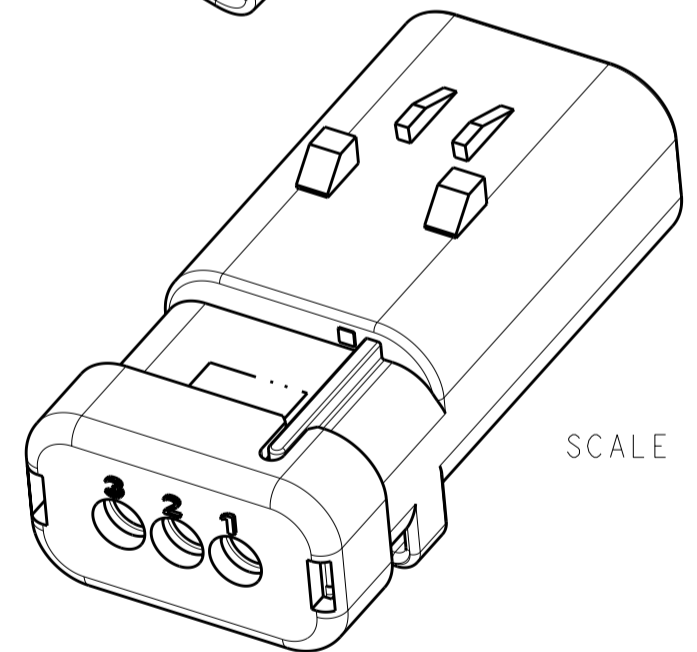
776430-1 SHOWN
KEY A



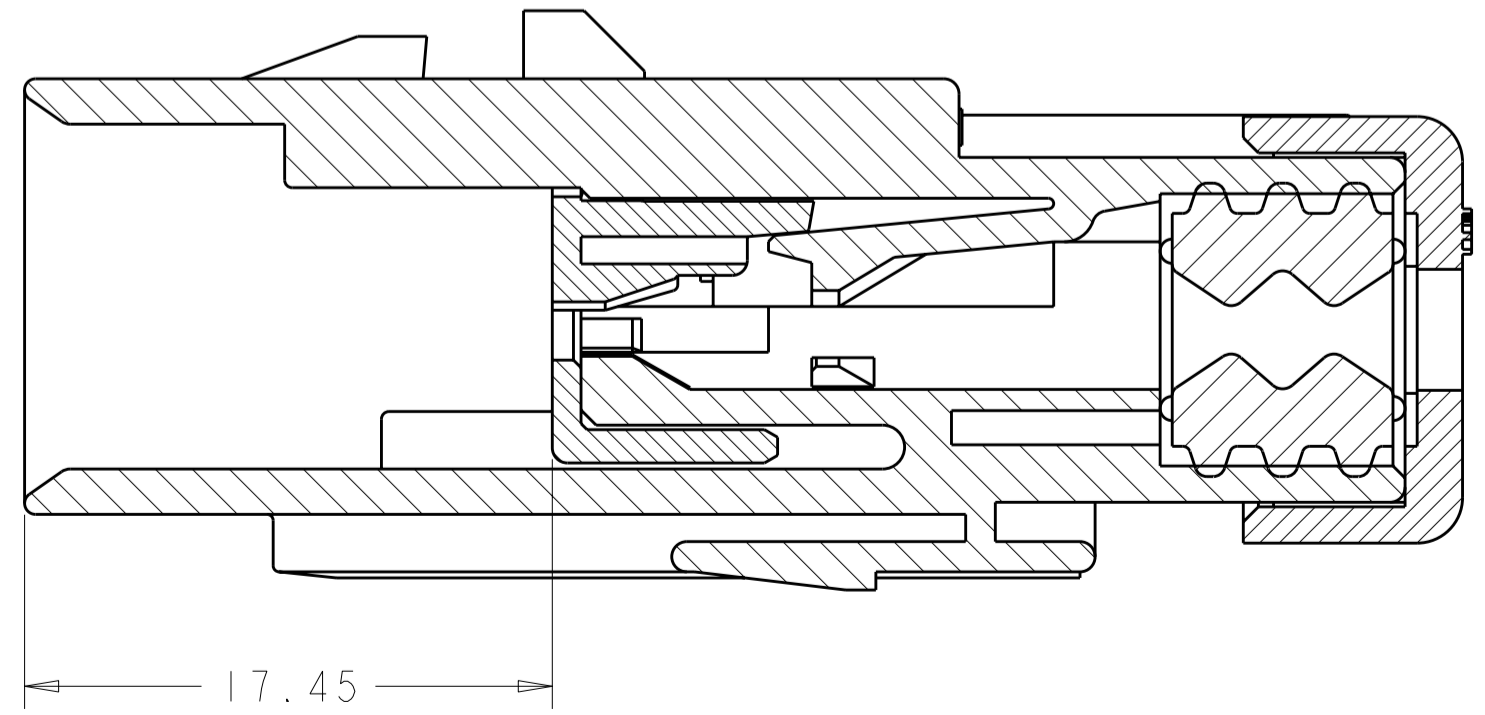
SECTION A-A



SCALE 2:1



SCALE 2:1



SECTION A-A
WITH TPA IN CLOSED POSITION

D	GREEN	776430-4
C	YELLOW	776430-3
B	GRAY	776430-2
A	RED	776430-1
KEY	TPA COLOR	PART NUMBER

THIS DRAWING IS A CONTROLLED DOCUMENT.		DWN Y. PETERSON 22FEB00	TE Connectivity	
DIMENSIONS: mm		CHK R. GREINER 11DEC01		
TOLERANCES UNLESS OTHERWISE SPECIFIED:		APVD M. TRULLI 11DEC01	NAME CAP ASSEMBLY, 3 POSITION, SINGLE ROW, AMPSEAL 16	
0 PLC ±		PRODUCT SPEC 108-2184	SIZE A200779	
1 PLC ±		APPLICATION SPEC 114-13065	DRAWING NO C-776430	
2 PLC ±		WEIGHT 10±1g	RESTRICTED TO -	
3 PLC ±		CUSTOMER DRAWING	SCALE 4:1	
4 PLC ±			SHEET 1 OF 1	
ANGLES ±			REV D3	
FINISH				