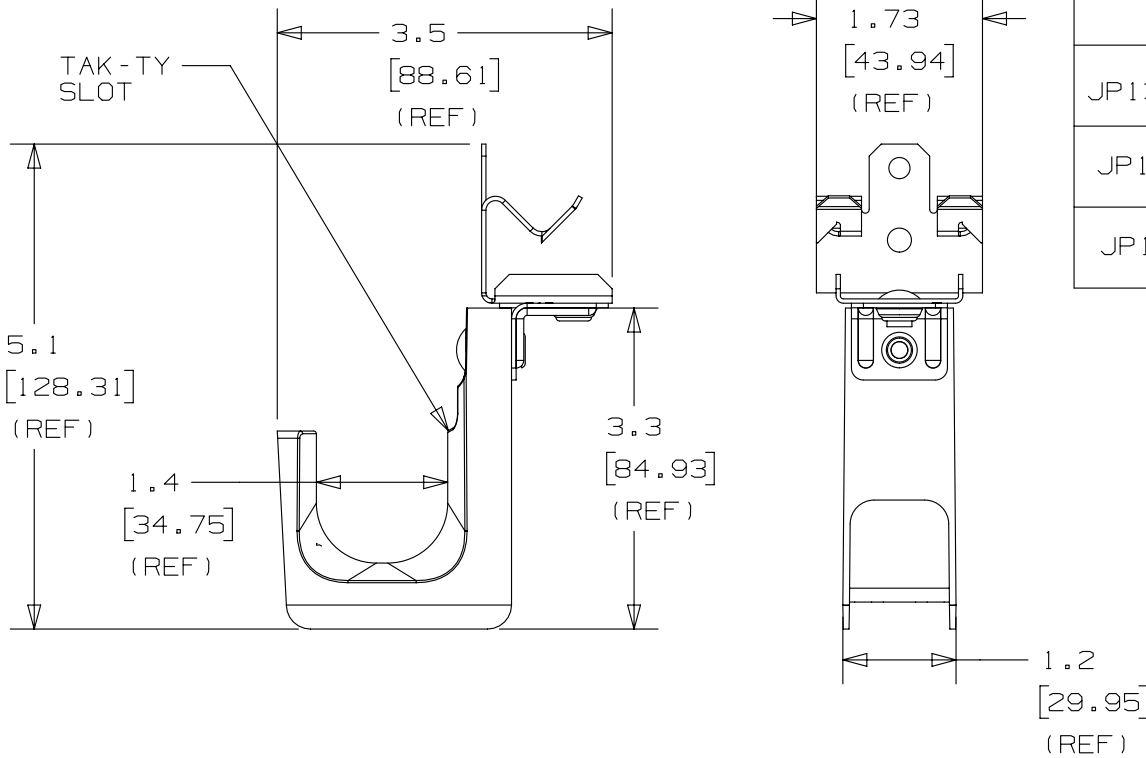
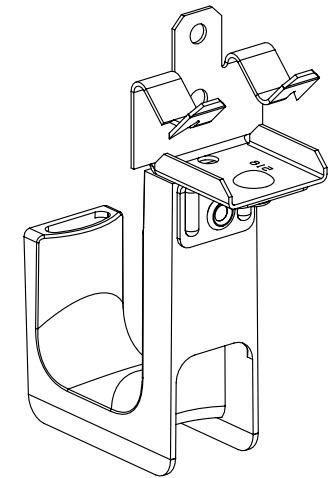


THIS COPY IS PROVIDED ON A RESTRICTED BASIS AND IS NOT TO BE USED IN ANY WAY DETRIMENTAL TO THE INTERESTS OF PANDUIT CORP.



PANDUIT PART NO.	FLANGE THICKNESS	WEIGHT 10pcs lbs (g)
JP131HBC25RB---	0.125 - 0.25 (3.18 - 6.35)	1.64 (743)
JP131HBC50RB---	0.3125 - 0.50 (7.94 - 12.7)	
JP131HBC75RB---	0.5625 - 0.75 (14.29 - 19.05)	



NOTES:

- SEE CURRENT PRICE SHEET FOR PART NUMBER SUFFIX DESIGNATION FOR PACKAGE SIZE AND PRODUCT COLOR.
- HOOK MATERIAL: NYLON 6/6  
ANGLE BRACKET MATERIAL: PRE-GALVANIZED STEEL  
RIVET MATERIAL: ALUMINUM  
CLAMP MATERIAL: SPRING STEEL
- PRODUCT IS DESIGNED TO SUPPORT A MAXIMUM OF 1 5/16" (33.34) DIAMETER BUNDLE. MAXIMUM RECOMMENDED STATIC LOAD: 25 lbs.
- PRODUCT INCORPORATES FEATURES ALLOWING USER TO RETAIN CABLE BUNDLES IN J-PRO J-HOOK WITH TAK-TY CABLE TIES UP TO 3/4" WIDE.
- PRODUCT MARKINGS:  
cULus logo and statement:  
"SUITABLE FOR USE IN AIR HANDLING SPACES IN ACCORDANCE WITH SECTION 300-22 (C) & (D) OF THE NATIONAL ELECTRIC CODE."  
ULC logo and statement:  
"IN ACCORDANCE WITH CAN/ULC S-102.2-10 IN SINGLE UNITS OR PAIRS, 4 ft (1220mm) MIN. SPACING, FSR=0, SDC=35."

TITLE J-PRO J-HOOK WITH 360° HAMMER-ON BEAM CLAMP (JP131HBC__RB___) CUSTOMER DRAWING							
ITEM REVISION NAME 121031AJ/00		<b>PANDUIT</b> <sup>TM</sup>					
DATASET FILE NAME 121031AJ_DC_C11009/00B							
UNLESS OTHERWISE SPECIFIED, DIMENSIONAL TOLERANCES ARE: IN (mm)			MATERIAL:  SEE NOTE 2				
.x ± .1 [2.54] .xx ± .01 [.25]		.xxx ± .005 [.127] ANGLES ± 5°		DRAWING NUMBER: C11009			
THIRD ANGLE PROJECTION		DRAWING NUMBER: C11009					
DRAWN BY DBLA	DATE 11/13/2012	CHK KLN	SCALE NONE	SHT 1 OF 1			
REV	DATE	BY	CHK	APR	DESCRIPTION	ECN	SIZE A

01	1/16/14	RVU	DJW	KLN	REMOVE "-" FROM EACH PART NUMBER	GAECN01573
00	11/13/12	DBLA	GGC	KLN	INITIAL RELEASE	GAECN00228

D10100DA/12