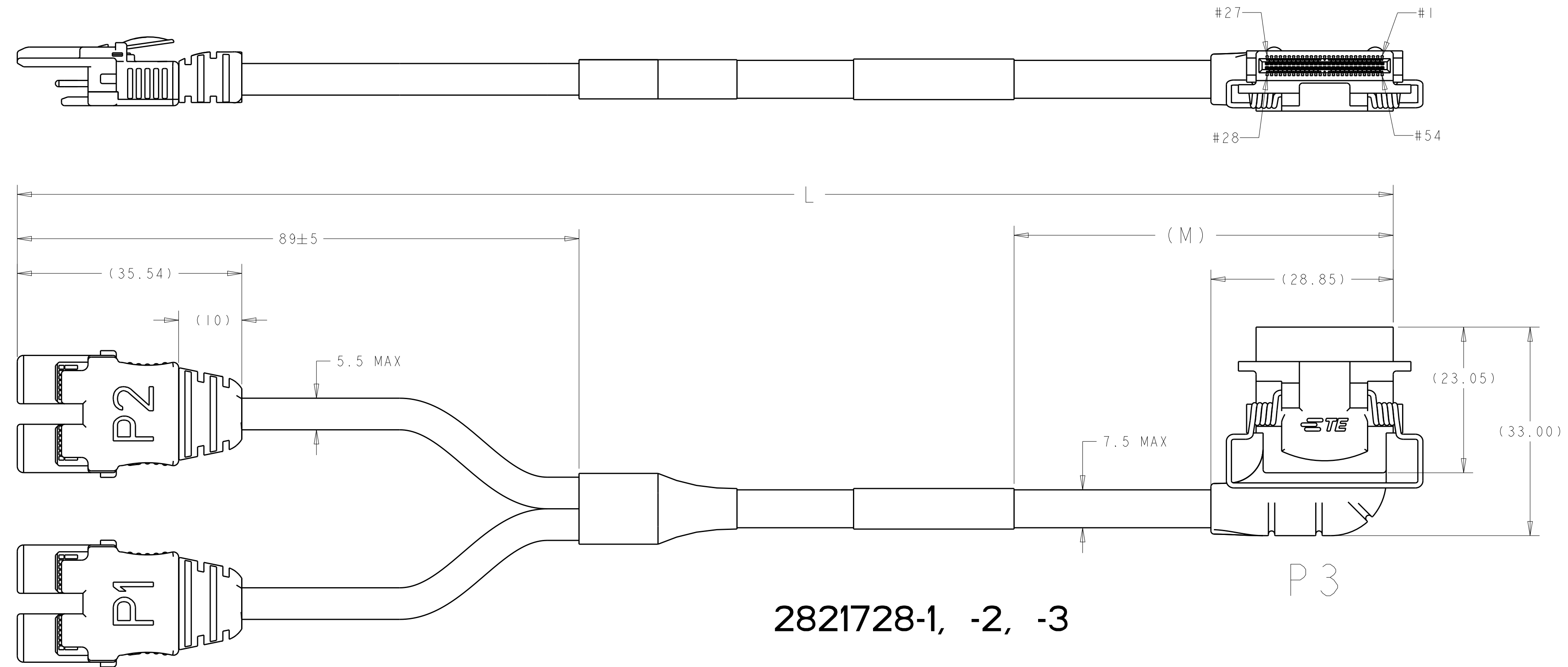
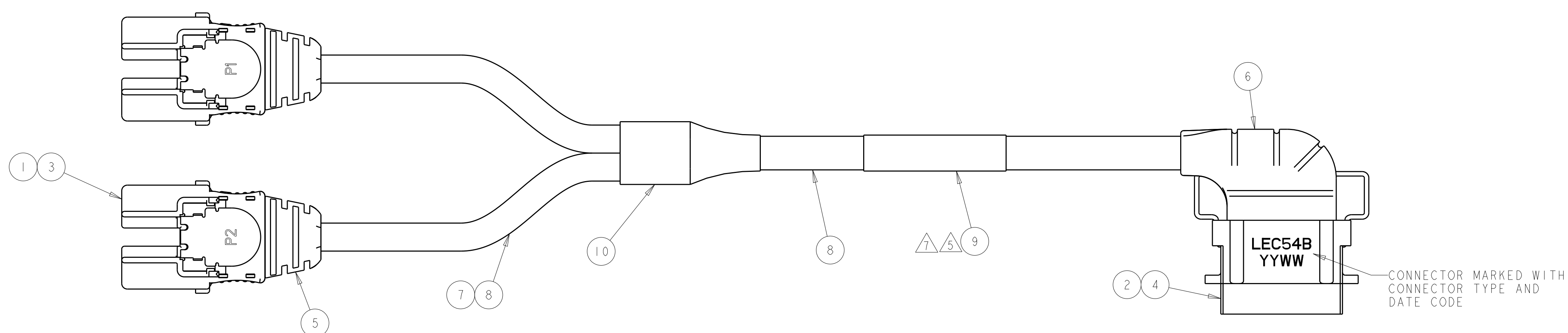


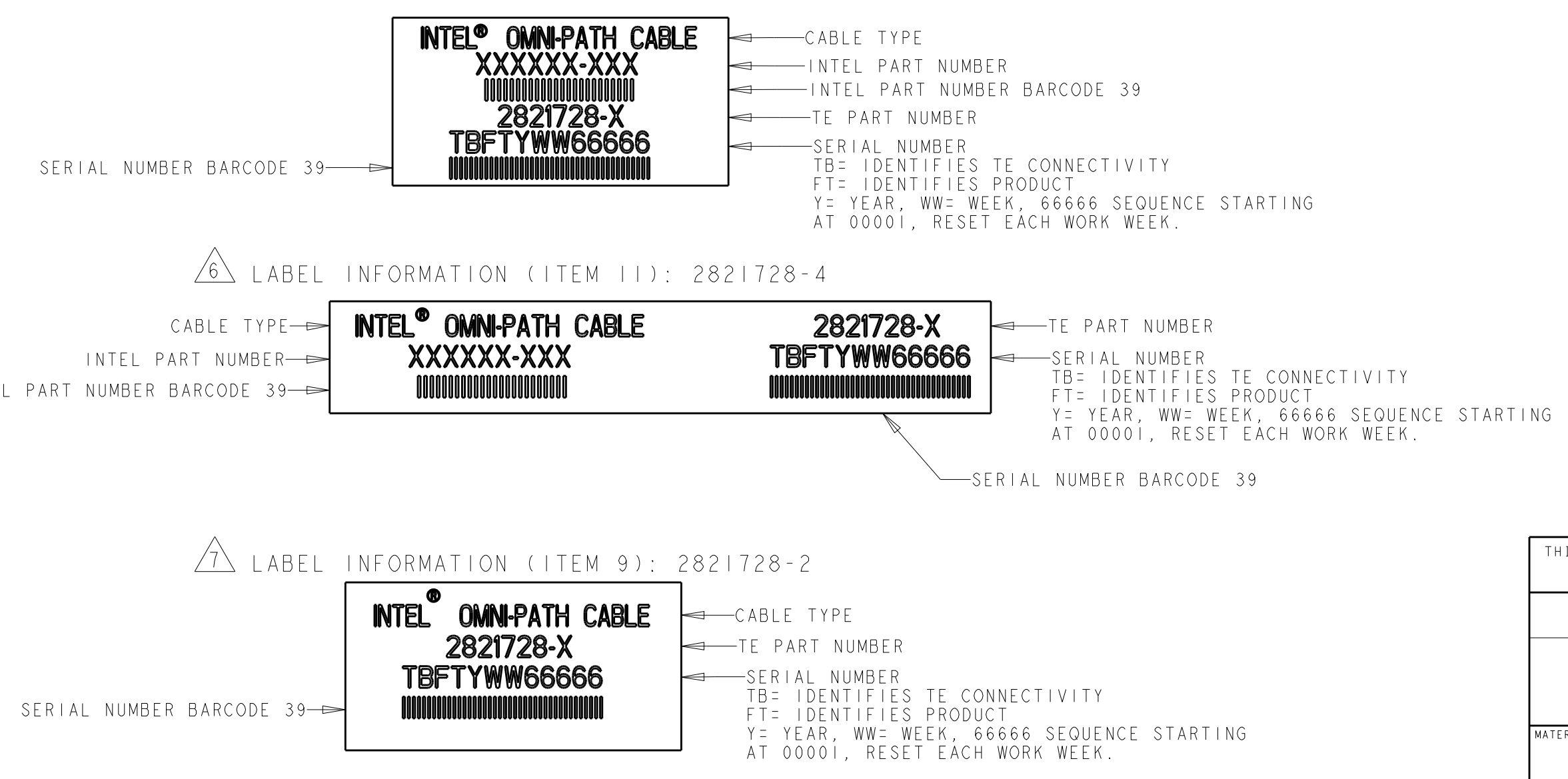
REVISIONS				
P.	LTM	DESCRIPTION	DATE	APVD
		SEE LAST SHEET		



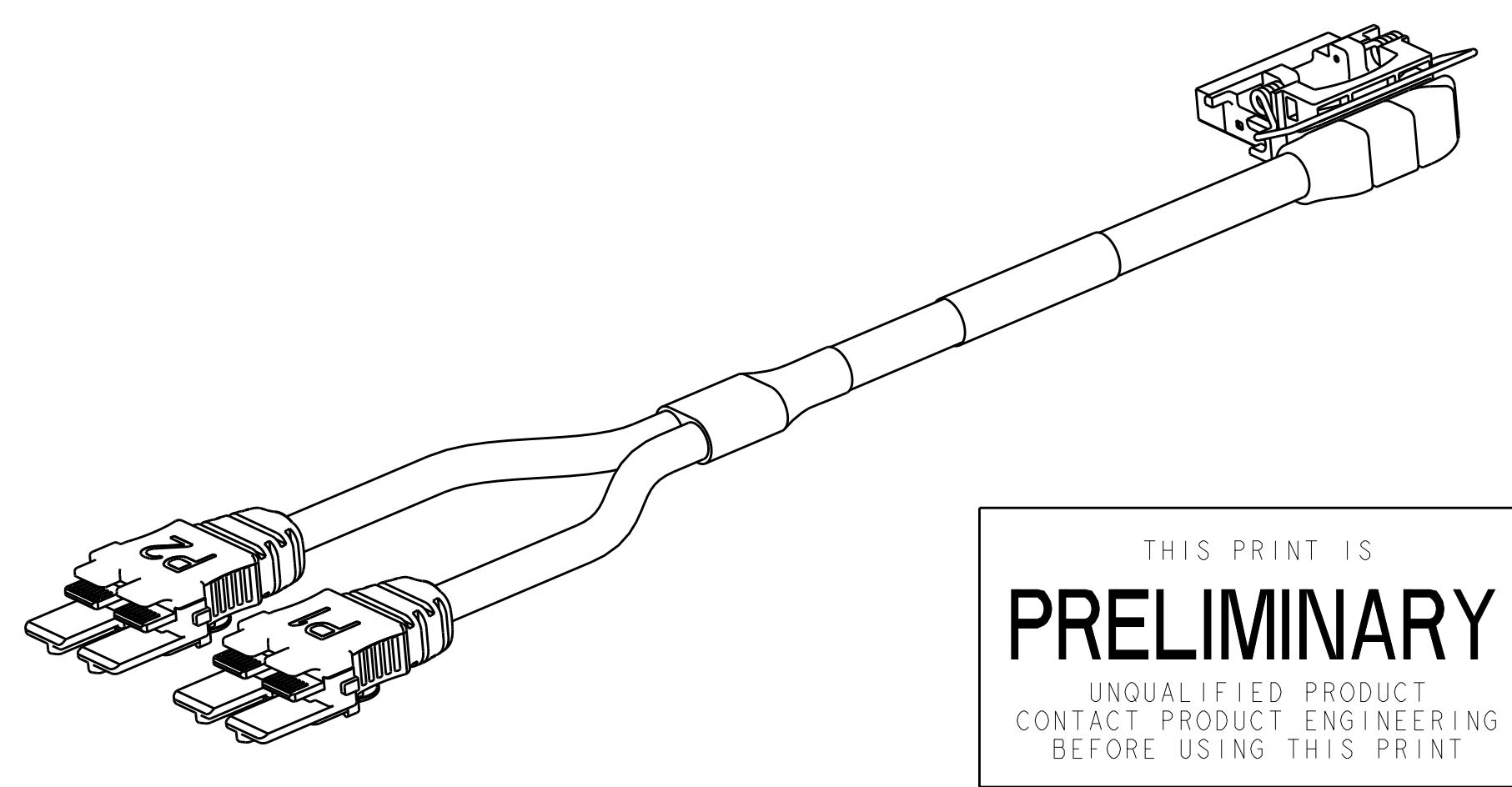
### 2821728-1, -2, -3

1. THIS ASSEMBLY CONFORMS TO INTEL PART NO. (SEE TABLE).
  2. EACH ASSEMBLY TESTED FOR OPENS, SHORTS AND SIGNAL INTEGRITY.
  3. ROHS AND REACH COMPLIANCE: PRODUCT AND PROCESSING MEETS THE REQUIREMENTS OF TE SPECIFICATION TEC-138-702.
  4. EACH ASSEMBLY PACKAGED IN AN ANTISTATIC BAG.
- △ 5 LABEL INFORMATION (ITEM 9): 2821728-1, -3

△	FLAG (SHEET 2)	QTY	LEN	INTEL PART NO	TE PART NO
6	FLAG (SHEET 2)	40	178±5	H74959-003	2821728-4
5	WRAP (SHEET 1)	100	439±5	H74962-003	2821728-3
7	WRAP (SHEET 1)	100	500±5	-	2821728-2
5	WRAP (SHEET 1)	100	340±5	H87890-003	2821728-1
	LABEL TYPE	(M)	L	INTEL PART NO	TE PART NO

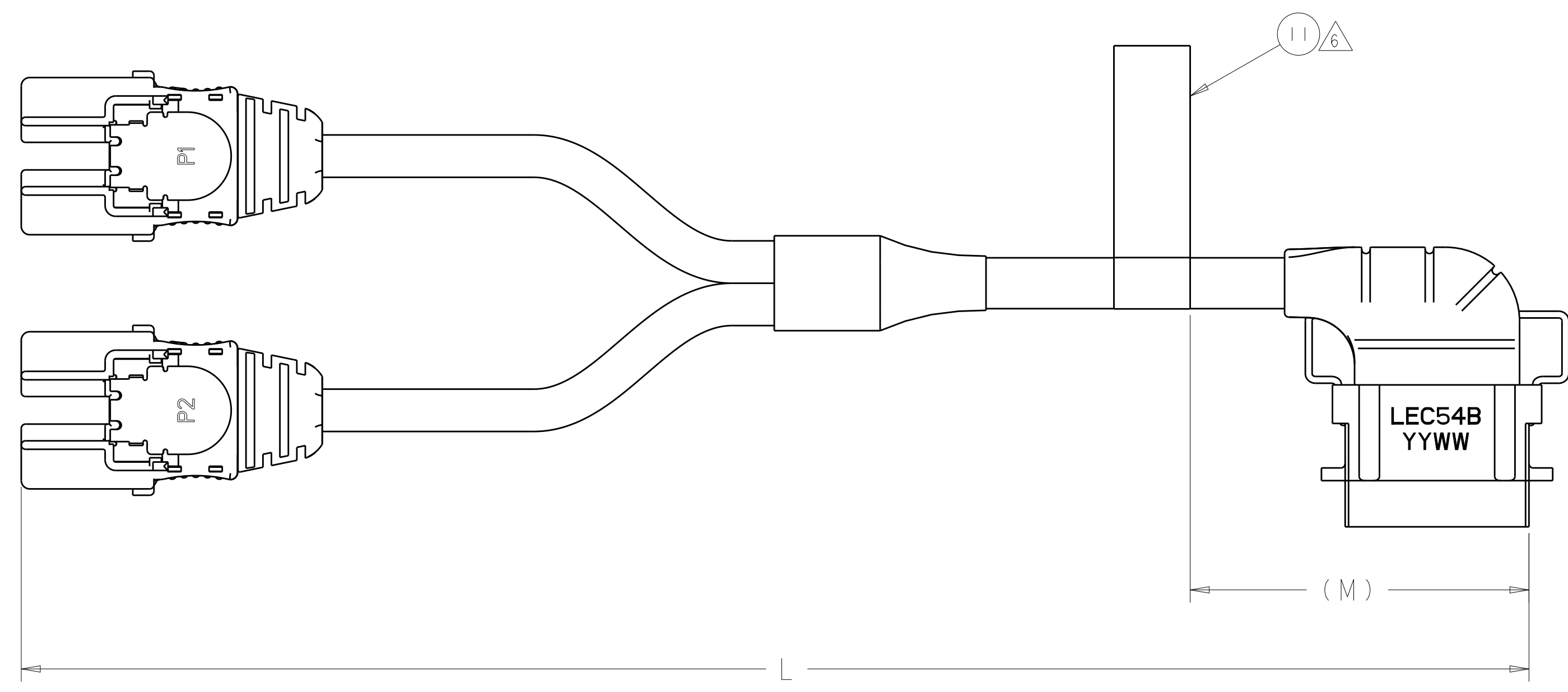


QTY	DESCRIPTION	ITEM NO			
1	LABEL, FLAG	11			
AR	AR	AR	AR	ACETATE TAPE, BLACK	10
-	1	1	1	LABEL, WRAP AROUND	9
AR	AR	AR	AR	SLEEVING, EXPANDABLE	8
AR	AR	AR	AR	CABLE, 85 OHM DISCRETE	7
1	1	1	1	OVERMOLDED STRAIN RELIEF, LECB	6
2	2	2	2	OVERMOLDED STRAIN RELIEF, IFP	5
1	1	1	1	DUST COVER, LECB (NOT SHOWN)	4
2	2	2	2	DUST COVER, IFP (NOT SHOWN)	3
1	1	1	1	LEC 54B RECPT, 54 POSN, REV 0.8	2
2	2	2	2	IFP PLUG, 28 POSN,	1
-4	-3	-2	-1	DESCRIPTION	ITEM NO



THIS DRAWING IS A CONTROLLED DOCUMENT.		OWN: T. SMITH 12JUL2016	TE Connectivity
DIMENSIONS: mm		CHK: C. POGASH 12JUL2016	
TOLERANCES UNLESS OTHERWISE SPECIFIED:		APVD: -	NAME: 1FP 54B CABLE ASSEMBLY REV 0.8
0 PLC ±		PRODUCT SPEC	SIZE: A1
1 PLC ±		APPLICATION SPEC	CAGE CODE: -
2 PLC ±		WEIGHT	DRAWING NO: C=2821728
3 PLC ±		CUSTOMER DRAWING	SCALE: 2:1
4 PLC ±			SHEET 1 OF 4
ANGLES			REV 2

REVISIONS				
P.	LTN	DESCRIPTION	DATE	APVD
-	-	SEE SHEET 1	-	-



**2821728-4**  
**FLAG LABEL**  
**REQUIREMENT**  
**ALL ASSEMBLY REQUIREMENTS**  
**SAME AS -1 EXCEPT FOR**  
**LABEL**


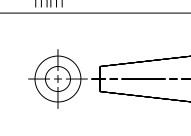
THIS DRAWING IS A CONTROLLED DOCUMENT.		DWN T. SMITH 12 JUL 2016		
		CHK C. POGASH 12 JUL 2016		
DIMENSIONS:		TOLERANCES UNLESS OTHERWISE SPECIFIED:		NAME 1FP 54B CABLE ASSEMBLY
mm	0 PLC ±	1 PLC ±	2 PLC ±	PRODUCT SPEC
	3 PLC ±	4 PLC ±	ANGLES ±	APPLICATION SPEC
	FINISH	WEIGHT	SIZE A1	CAGE CODE -
	MATERIAL	CUSTOMER DRAWING	DRAWING NO C=2821728	RESTRICTED TO
SCALE 1:1			SHEET 2 OF 4	REV 2

THIS DRAWING IS UNPUBLISHED. RELEASED FOR PUBLICATION  
 © COPYRIGHT copyright\_d81e- ALL RIGHTS RESERVED.

REVISIONS				
P.	LTN	DESCRIPTION	DATE	APVD
-	-	SEE SHEET 1	-	-


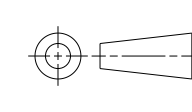
CABLE PINOUT				
PAIR	SIGNAL	P1	P2	P3
GROUND BUS	-	1	-	1
1	S1	2	-	2
	S2	3	-	3
GROUND BUS	-	28	-	4
2	S1	27	-	5
	S2	26	-	6
GROUND BUS	-	4	-	7
3	S1	5	-	8
	S2	6	-	9
GROUND BUS	-	25	-	10
4	S1	24	-	11
	S2	23	-	12
GROUND BUS	-	22	-	13
GROUND BUS	-	7	-	14
GROUND BUS	-	8	-	15
5	S1	9	-	16
	S2	10	-	17
GROUND BUS	-	21	-	18
6	S1	20	-	19
	S2	19	-	20
GROUND BUS	-	11	-	21
7	S1	12	-	22
	S2	13	-	23
GROUND BUS	-	18	-	24
8	S1	17	-	25
	S2	16	-	26
GROUND BUS	-	15	14	27
GROUND BUS	-	14	15	28
9	S1	-	16	29
	S2	-	17	30
GROUND BUS	-	-	18	31
10	S1	-	13	32
	S2	-	12	33
GROUND BUS	-	-	11	34
11	S1	-	19	35
	S2	-	20	36
GROUND BUS	-	-	21	37
12	S1	-	10	38
	S2	-	9	39
GROUND BUS	-	-	8	40
GROUND BUS	-	-	7	41
GROUND BUS	-	-	22	42
13	S1	-	23	43
	S2	-	24	44
GROUND BUS	-	-	25	45
14	S1	-	6	46
	S2	-	5	47
GROUND BUS	-	-	4	48
15	S1	-	26	49
	S2	-	27	50
GROUND BUS	-	-	28	51
16	S1	-	3	52
	S2	-	2	53
GROUND BUS	-	-	1	54

THIS PRINT IS  
**PRELIMINARY**  
 UNQUALIFIED PRODUCT  
 CONTACT PRODUCT ENGINEERING  
 BEFORE USING THIS PRINT

THIS DRAWING IS A CONTROLLED DOCUMENT.		DWN T. SMITH 12JUL2016 CHK C. POGASH 12JUL2016 APVD -	 TE Connectivity
DIMENSIONS: mm 	TOLERANCES UNLESS OTHERWISE SPECIFIED: 0 PLC ± 1 PLC ± 2 PLC ± 3 PLC ± 4 PLC ± ANGLES ± FINISH ±	NAME PRODUCT SPEC APPLICATION SPEC SIZE CAGE CODE DRAWING NO WEIGHT CUSTOMER DRAWING	1FP 54B CABLE ASSEMBLY REV 0.8 A1 - C=2821728 SCALE 1:1 SHEET 3 OF 4 REV 2

REVISIONS				
P	LTN	DESCRIPTION	DATE	APVD
-		SEE SHEET 1	-	-

2821728_C				STOCK DISPOSITION				
DRAWING TITLE				A: CONTINUE AS IS	D: USE OLD FIRST			
REVISION HISTORY				B: REWORK	E: PARTS TO CONFORM			
				C: SCRAP	F: OTHER			
DATE	REV	CHANGES	REASON	APPROVAL	INVENTORY (A,B,C,D,E,F)	WORK IN PROCESS (A,B,C,F)	SUPPLIER ORDERS (A,E,F)	OPEN CUST ORDERS (A,E,F)
12JUL2016	1	INITIAL DRAWING, 2821728-1 DGO.8 WAS 2821479-1 DGO.7, 2821728-2 NEW PART NUMBER, NO PREVIOUS REV 0.7, 2821728-3 DGO.8 WAS 2821452-1 DGO.7, 2821728-4 DGO.8 WAS 2821451-1	PRELIMINARY	TS/CP	-	-	-	-
04AUG2016	2	CORRECTED TYPO	ERROR	TS				

THIS DRAWING IS A CONTROLLED DOCUMENT.		DWN T. SMITH 12JUL2016 CHK C. POGASH 12JUL2016 APVD -	 TE Connectivity	
DIMENSIONS: mm 	TOLERANCES UNLESS OTHERWISE SPECIFIED: 0 PLC ± 1 PLC ± 2 PLC ± 3 PLC ± 4 PLC ± ANGLES ± FINISH	PRODUCT SPEC APPLICATION SPEC WEIGHT CUSTOMER DRAWING	NAME 1FP 54B CABLE ASSEMBLY REV 0.8 SIZE A1 CAGE CODE - DRAWING NO. C=2821728 RESTRICTED TO -	SCALE 1:1 SHEET 4 OF 4 REV 2