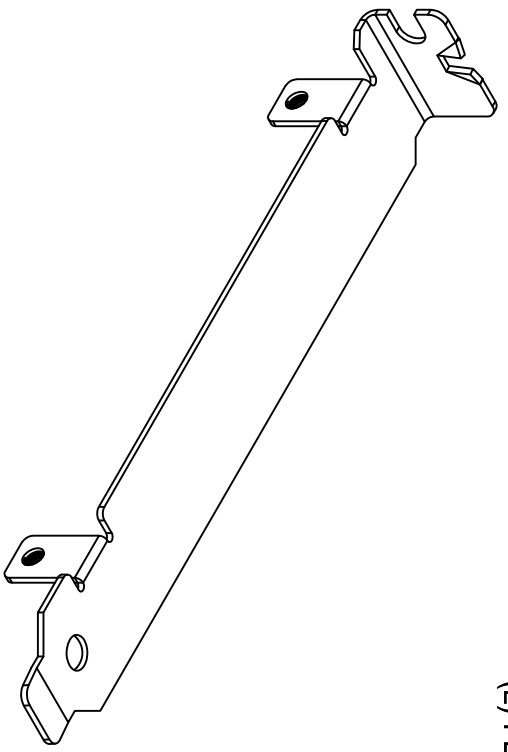
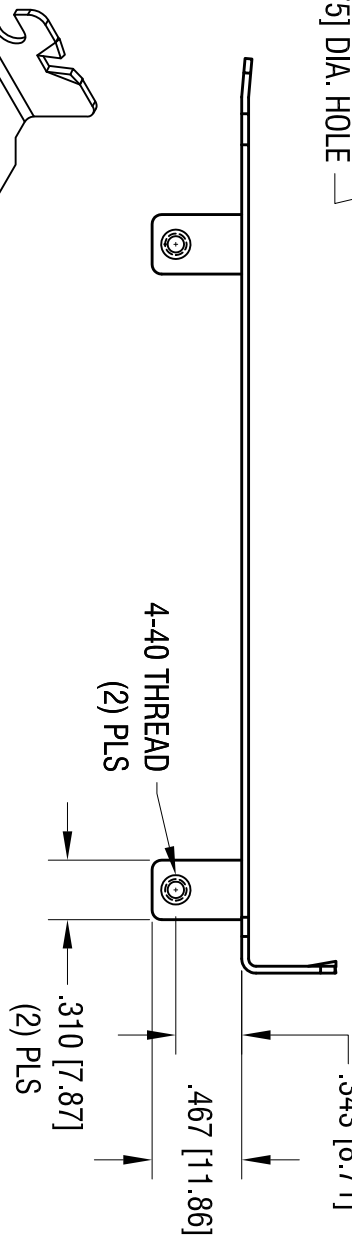
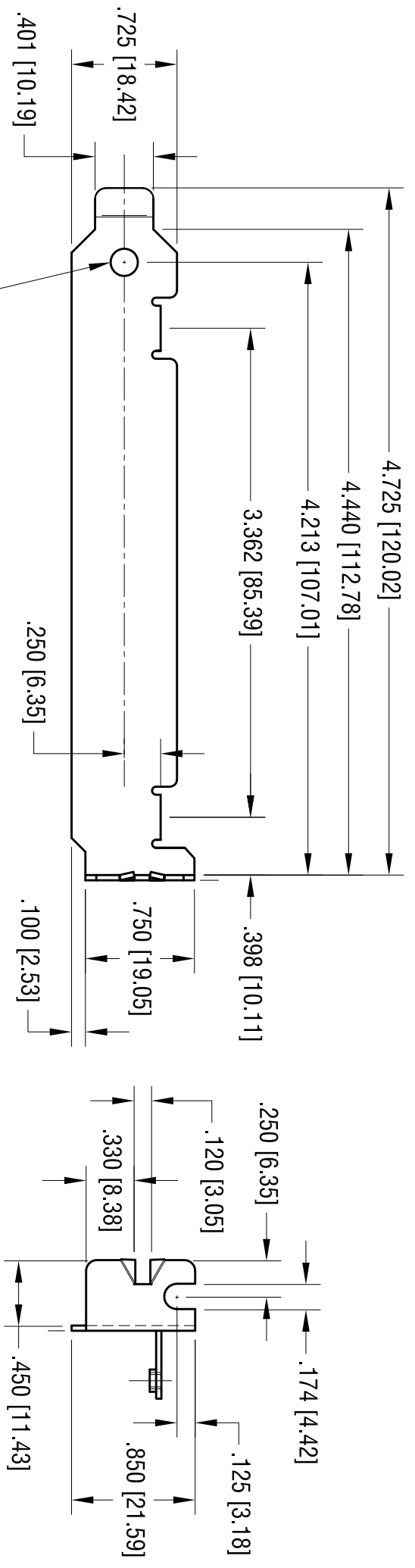


DATE	DESCRIPTION	REV.
3.12.09	CHANGE AS PER ECN 09-017	A



THIS DOCUMENT IS THE PROPERTY OF KEYSTONE ELECTRONICS CORP. AND SHALL NOT BE REPRODUCED, DISTRIBUTED OR USED AS A BASIS FOR MANUFACTURE WITHOUT PRIOR WRITTEN PERMISSION FROM KEYSTONE ELECTRONICS CORP.

<b>KEYSTONE ELECTRONICS CORP.</b>			
ASTORIA, N.Y. 11105-2017			
PART NAME		COMPUTER BRACKET	
MATERIAL		.036 [0.91] THK STEEL	
FINISH		NICKEL PLATE	
TOLERANCES	INCH	[MM]	CODE
DECIMAL	$\pm .015$	[ $\pm 0.38$ ]	C
ANGULAR	$\pm 1^\circ$		
UNLESS OTHERWISE SPECIFIED			
DRN BY	BOONE	DATE	6.15.98
APP'D	LN	SCALE	1X
DWG NO.		9203	