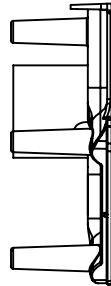
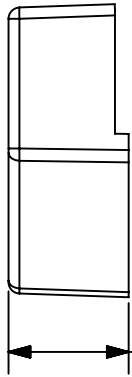
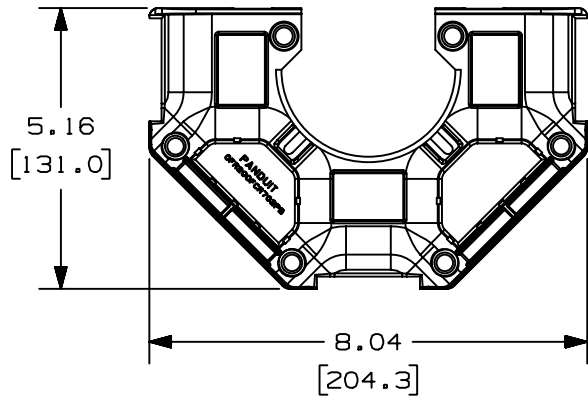
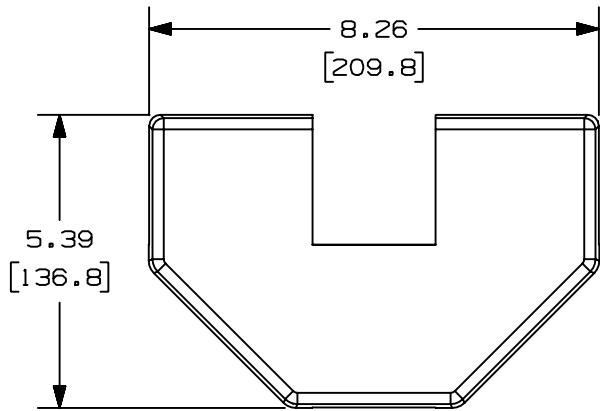


THIS COPY IS PROVIDED ON A RESTRICTED BASIS AND IS NOT TO BE USED IN ANY WAY DETRIMENTAL TO THE INTERESTS OF PANDUIT CORP.

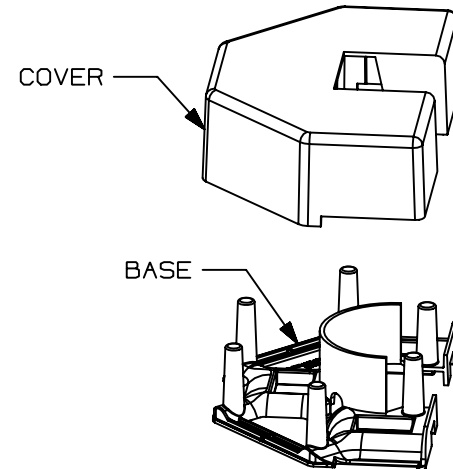


PANDUIT PART NO.	WEIGHT
OFR200FCR70**2P	.57 lbs / EACH (258.5 g / EACH)



NOTES:

- SEE CURRENT CATALOG FOR ADDITIONAL PART NUMBER SUFFIXES TO INDICATE COLOR AND/OR PACKAGE QUANTITY.
- DIMENSIONS IN PARENTHESES ARE IN METRIC.
- BYPASS AREA OPENING SIZED TO ACCEPT UP TO 2 1/4" X 2 1/4" POWER POLE.



CAD FILENAME/LAYERS D38725BL\_DC\_OFR200FCR702P\_00B.PRT

**PANDUIT** CORP. TINLEY PARK, ILLINOIS  
OFFICE FURNITURE 2 POSITION DROP BOX  
POWER POLE BYPASS FITTING (OFR200FCR702P)  
CUSTOMER DRAWING

UNLESS OTHERWISE SPECIFIED,  
DIMENSIONAL TOLERANCES ARE:  
(.X) ± (.XXX) ±  
(.XX) ± .03 (.8) ANGLES ±

UNLESS OTHERWISE SPECIFIED,  
ALL DIMENSIONS ARE GIVEN  
IN INCHES, THIRD ANGLE PROJECTION.

REV	DATE	BY	CHK	DESCRIPTION	ECN	CHK	CUST	SUP
----- RELEASED TO PRODUCTION -----								
I	03-23-05	JHEP	RMHI	B. ADDED PART WEIGHT A. ADDED NOTE 3	38725-08	RGRO	RGRO	
R	07-02-04	JBN	RMHI	DRAWING RELEASED				

DRAWN BY JBN	MAT'L:  PVC	SCALE NONE
DATE 07-02-04		DRAWING NO. 38725-08
CHK'D RMHI		DWG A SIZE