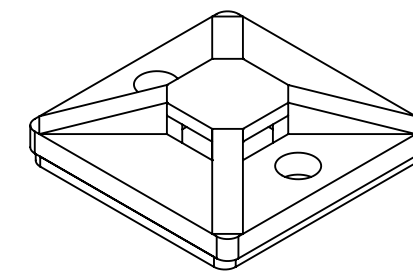
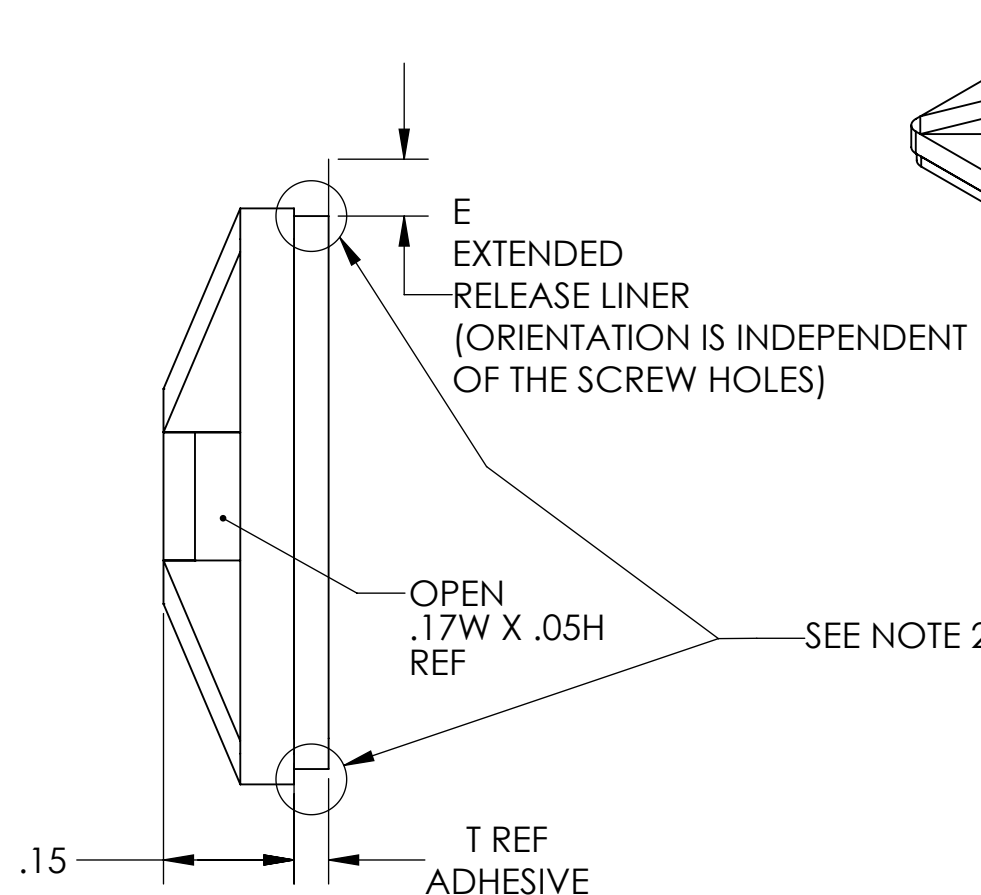
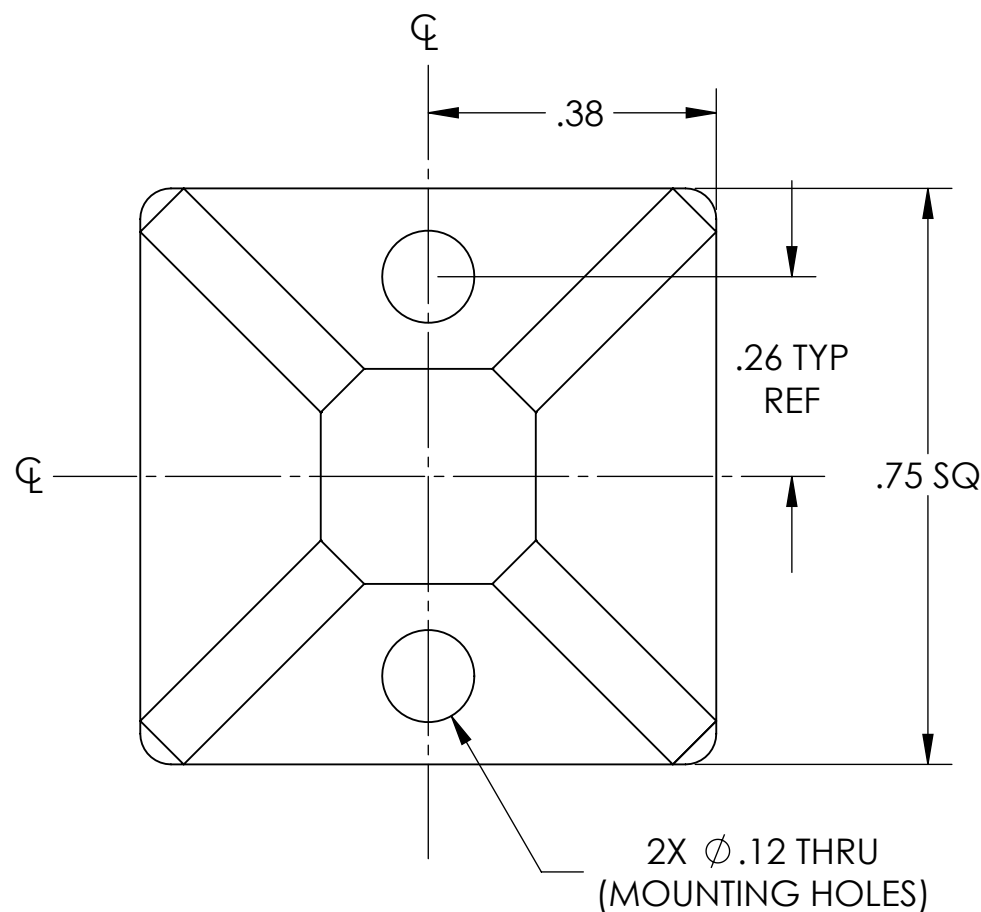
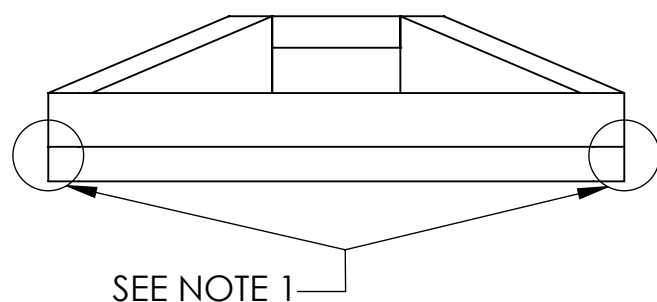


Revision level			Revision Record	Changed	Date	Approved	Date
Drawing	State	Part					
00.0	Design Release		SEE ECN# 013433	KEP	4/13/2016	JPG	4/13/2016



SCALE 2:1



MB3A4	.045	.13	URAD3PX5011E ACRYLIC FOAM TAPE	PA66HIRHSUV	T18 THRU T30
MB3	-	-	#4 SCREW (NOT INCLUDED)	PA66	
TYPE NAME	T	E	MOUNTING METHOD	MOUNT MATERIAL	CABLE TIE SERIES

Notes
 1. TAPE MAY BE FLUSH OR EXTEND BEYOND THE EDGE OF THE MOUNT
 2. TAPE MAY BE FLUSH OR INSIDE THE MOUNT EDGE

Material
 SEE TABLE

Units: inches
 Dimension without tolerances details to:
 .xxxx = ±.0005
 .xxx = ±.005
 .xx = ±.01
 .x = ±.03
 None = ±.06
 ∠ = ±0.5°
 Dimension Formatted in/[mm]

The copyright of this drawing is reserved by HellermannTyton. It is issued on condition that it is not reproduced, copied, or disclosed to a third party, either wholly or in part, without the consent of HellermannTyton.

Drawn: KEP, 4/13/2016
 Approved: JPG, 4/13/2016
HellermannTyton
 North America
 Email: corp@htamericas.com
 Web: www.hellermann.tyton.com

Article/Type-No: SEE CHART
 Title: MOUNTING BASE, 4 WAY, MB3, SELF-ADHESIVE
 Drawing-No: 16-0338-001-CSU
 PRODUCTION : Phase

Scale: 4:1
 Project Number: PRP16-0338
 Format: B
 Sheet: 1/1