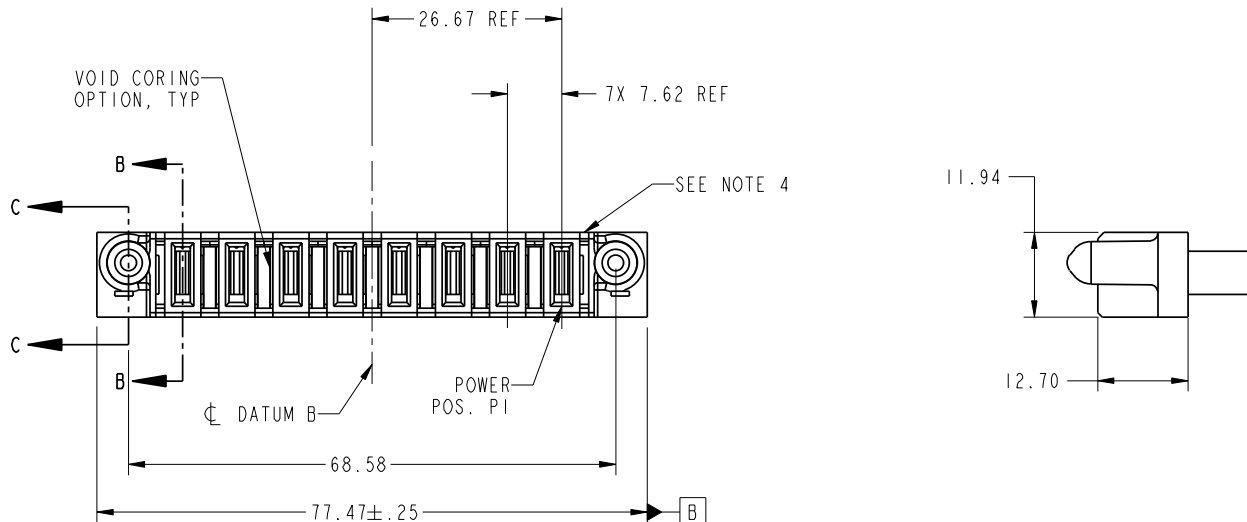


Tous droits strictement reserves. Reproduction ou communication a des tiers interdite sous quelque forme que ce soit sans autorisation écrite du propriétaire. Propriete de c FCI. Droits de reproduction FCI.



All rights strictly reserved. Reproduction or issue to third parties in any form whatever is not permitted without written authority from the proprietor. Property of FCI. Copyright FCI.

PRODUCT NO.	POWER										E1
	E2	P8	P7	P6	P5	P4	P3	P2	P1		
51925-004-- NOTE: 3											



CODE	DIM "M" MATING LENGTH	CONTACT TYPE
PH	[2.34]	POWER
PG	[1.07]	POWER

mat'l code				SEE NOTES		tolerances unless otherwise specified		CUSTOMER		 www.fciconnect.com	
ltr	ecn no.	dr	date	linear	0.X ± 0.3	projection		COPY		title	
A	DG07-0070	RYAN	02/27/07		0.XX ± 0.13					8ACP VERTICAL CABLE RECEPT	
				angles	0.XXX ± 0.051			product family		PwrBlade	
				dr	0° ± 2°	MM		size		code	
				enrg		scale		A		213	
				chr	RYAN YUAN 02/13/07	1:1		51925-004		sheet	
				appd	RYAN YUAN 02/13/07					1 of 4	
					BEER FU 02/13/07						
					JOSEPH HSIA 02/13/07						
sheet index	revision	A	A	A	A						
	sheet	1	2	3	4						

cage code 22526

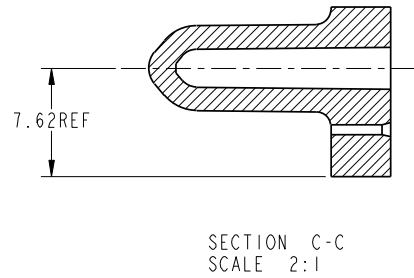
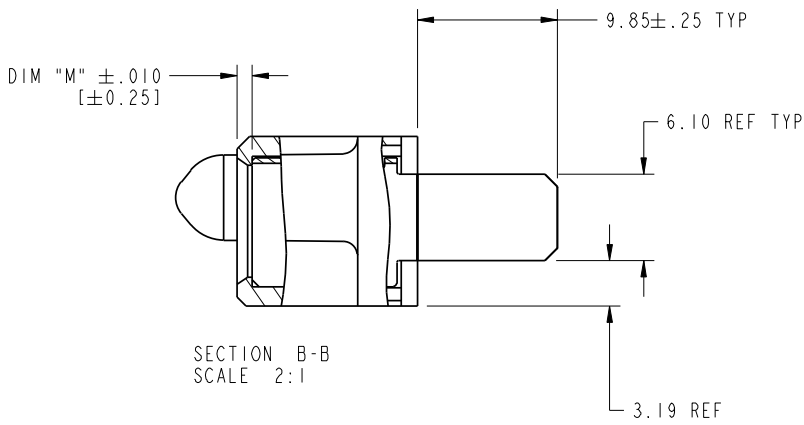
Pro/E

Tous droits strictement reserves. Reproduction ou communication a des tiers interdite sous quelque forme que ce soit sans autorisation écrite du propriétaire. Propriete de c FCI. Droits de reproduction FCI.



All rights strictly reserved. Reproduction or issue to third parties in any form whatever is not permitted without written authority from the proprietor. Property of FCI. Copyright FCI.

PRODUCT NUMBER
51925-004__
NOTE: 3



mat'l code				tolerances unless otherwise specified		CUSTOMER		FCI	
lfr	ecr no.	dr	date	linear	0.X ±0.3	COPY		www.fciconnect.com	
A					0.XX ±0.13	projection		title	
				angles	0.XXX ±0.051			8ACP VERTICAL CABLE RECEPT	
				dr	RYAN YUAN 02/13/07			product family	PwrBlade
				enr	RYAN YUAN 02/13/07	scale		size	dwg no
				chr	BEER FU 02/13/07	1:1		A	51925-004
				appd	JOSEPH HSIA 02/13/07			code	213
sheet index	revision sheet							sheet	2 of 4

Pro/E

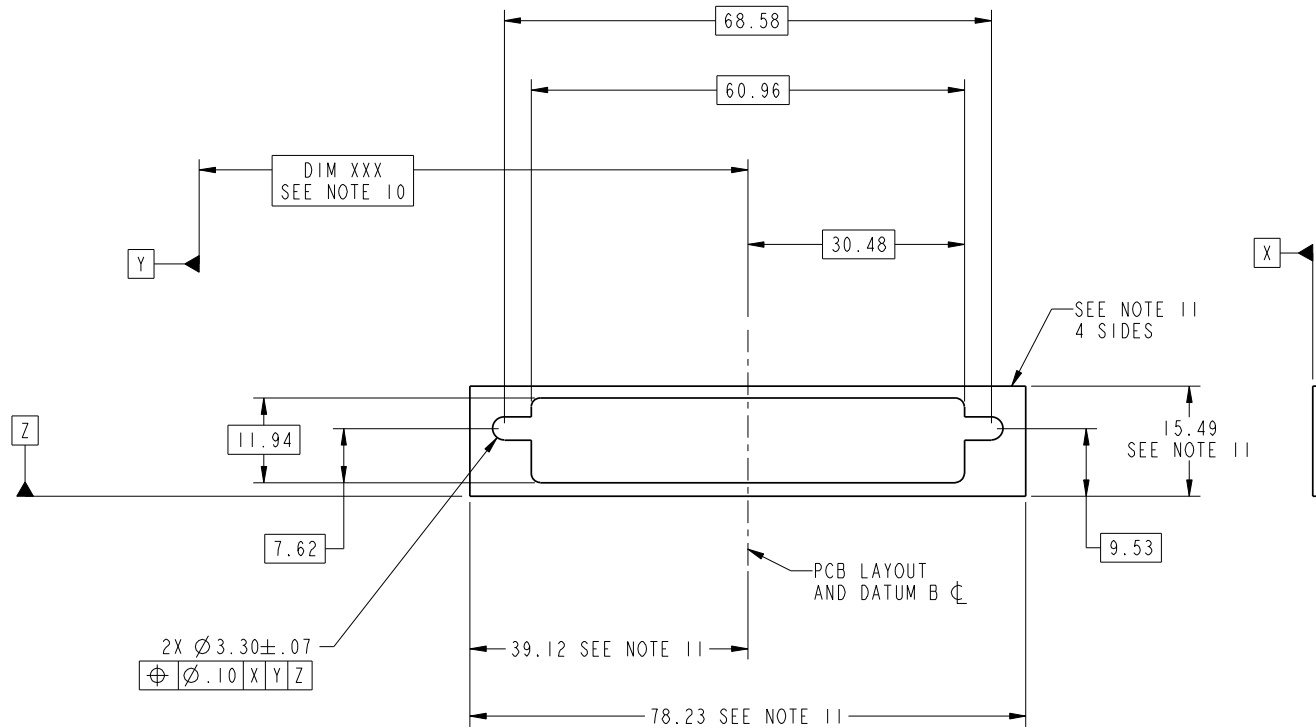
cage code 22526

Tous droits strictement reserves. Reproduction ou communication a des tiers interdite sous quelque forme que ce soit sans autorisation ecrite du proprietaire. Propriete de c FCI. Droits de reproduction FCI.



All rights strictly reserved. Reproduction or issue to third parties in any form whatever is not permitted without written authority from the proprietor. Property of FCI. Copyright FCI.

PRODUCT NUMBER
51925-004__
NOTE: 3



mat'l code				tolerances unless otherwise specified		CUSTOMER		FCI	
lir	ecn no.	dr	date	linear	0.X ± 0.3	COPY		www.fciconnect.com	
A					0.XX ± 0.13	projection	title		
				angles	0.XXX ± 0.051		8ACP VERTICAL CABLE RECEIPT		
				dr	RYAN YUAN 02/13/07	MM	product family	PwrBlade	code
				enrg	RYAN YUAN 02/13/07	1:1	size	dwg no	213
				chr	BEER FU 02/13/07		A	51925-004	sheet
				appd	JOSEPH HSIA 02/13/07				3 of 4
sheet index	revision sheet								

cage code 22526

Pro/E

Tous droits strictement reserves. Reproduction ou communication a des tiers interdite sous quelque forme que ce soit sans autorisation ecrite du proprietaire. Propriete de c FCI. Droits de reproduction FCI.



All rights strictly reserved. Reproduction or issue to third parties in any form whatever is not permitted without written authority from the proprietor. Property of FCI. Copyright FCI.

1 | 2

3 |

4

PRODUCT NUMBER			
51925-004__ NOTE: 3			
NOTES:			
1. DIMENSIONS AND TOLERANCES ARE IN ACCORDANCE WITH ASME Y14.5M, 1994 UNLESS OTHERWISE SPECIFIED.			
CONNECTOR NOTES:			
2	HOUSING MATERIAL: UL 94 V-0 GLASS FILLED HIGH-TEMP THERMOPLASTIC POWER CONTACT MATERIAL: COPPER ALLOY SIGNAL PIN MATERIAL: COPPER ALLOY		
3.	PLATING SPEC. 51925-004,51925-004LF PLATING SPEC. WAS SHOWN IN THE PRINT OF 10064183.		
4	MANUFACTURER'S NAME, P/N, AND DATE CODE TO APPEAR ON THIS SURFACE.		
5.	PRODUCT SPECIFICATION GS-12-149. APPLICATION SPECIFICATION BUS-20-067.		
6.	PACKAGED IN TRAYS.		
PCB NOTES:			
7.	ALL HOLE DIAMETERS ARE FINISHED HOLE SIZE.		
8	MOUNTING HOLES, WHERE APPLICABLE, ARE UNPLATED.		
9	Ø1.151±0.025 DRILLED HOLES PLATED WITH 0.008 MIN SnPb OR Sn OVER 0.03 TO 0.08 Cu PLATING TO ACHIEVE Ø1.02±.07 HOLE.		
10	"DIM XXX" TO BE DETERMINED BY THE CUSTOMER.		
11	CONNECTOR KEEP-OUT ZONE.		
sheet index		revision sheet	

mat'l code				tolerances unless otherwise specified		CUSTOMER		FCI	
lfr	ecn no.	dr	date	linear	0.X ±0.3	COPY		www.fciconnect.com	
A				linear	0.XX ±0.13	projection	title		
				angles	0.XXX ±0.051		8ACP VERTICAL CABLE RECEPT		
				dr	0° ±2°		product family	PwrBlade	code
				engr	RYAN YUAN 02/13/07	scale	size	dwg no	213
				chr	BEER FU 02/13/07	1:1	A	51925-004	sheet
				appd	JOSEPH HSIA 02/13/07				4 of 4

A

A

B

B

1 | 2

3 |

4

Pro/E

cage code 22526