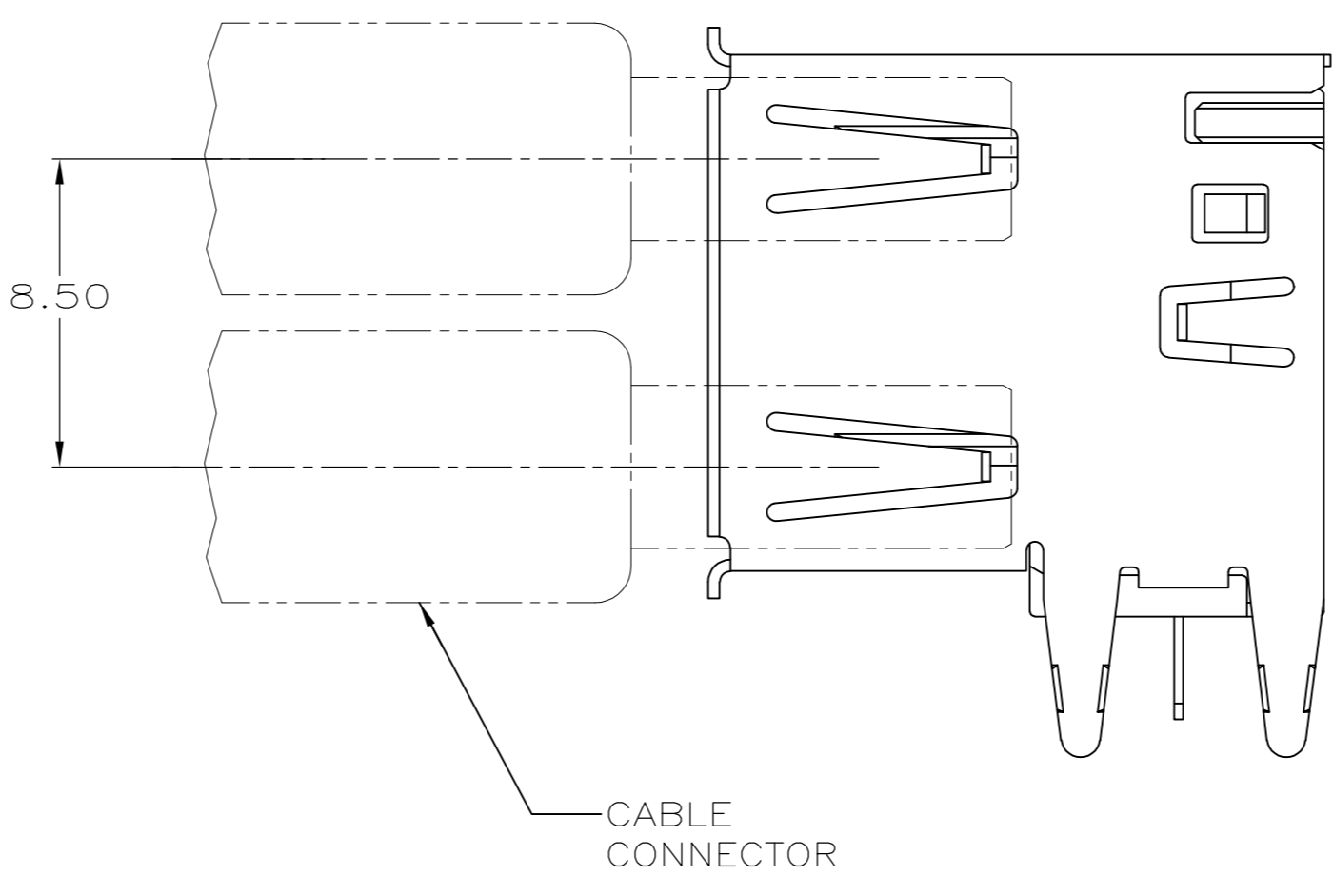
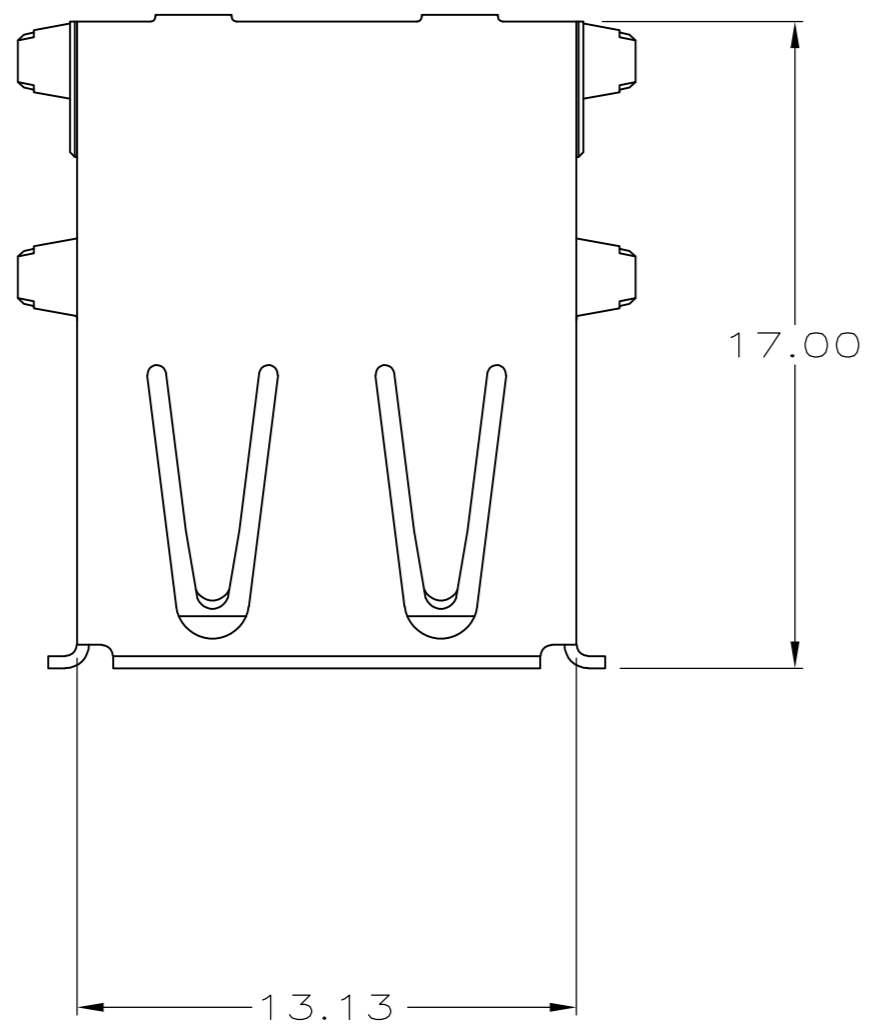
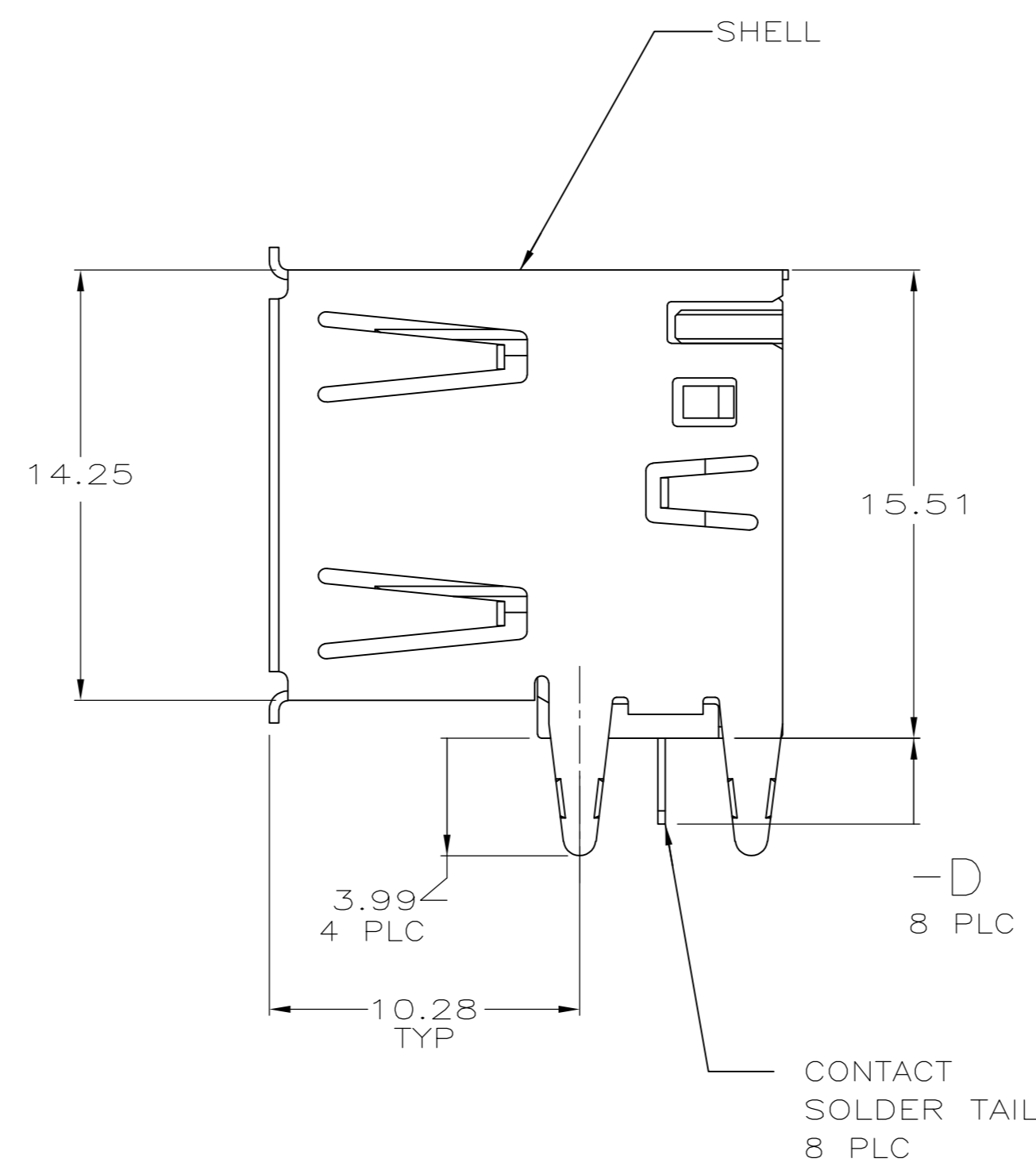
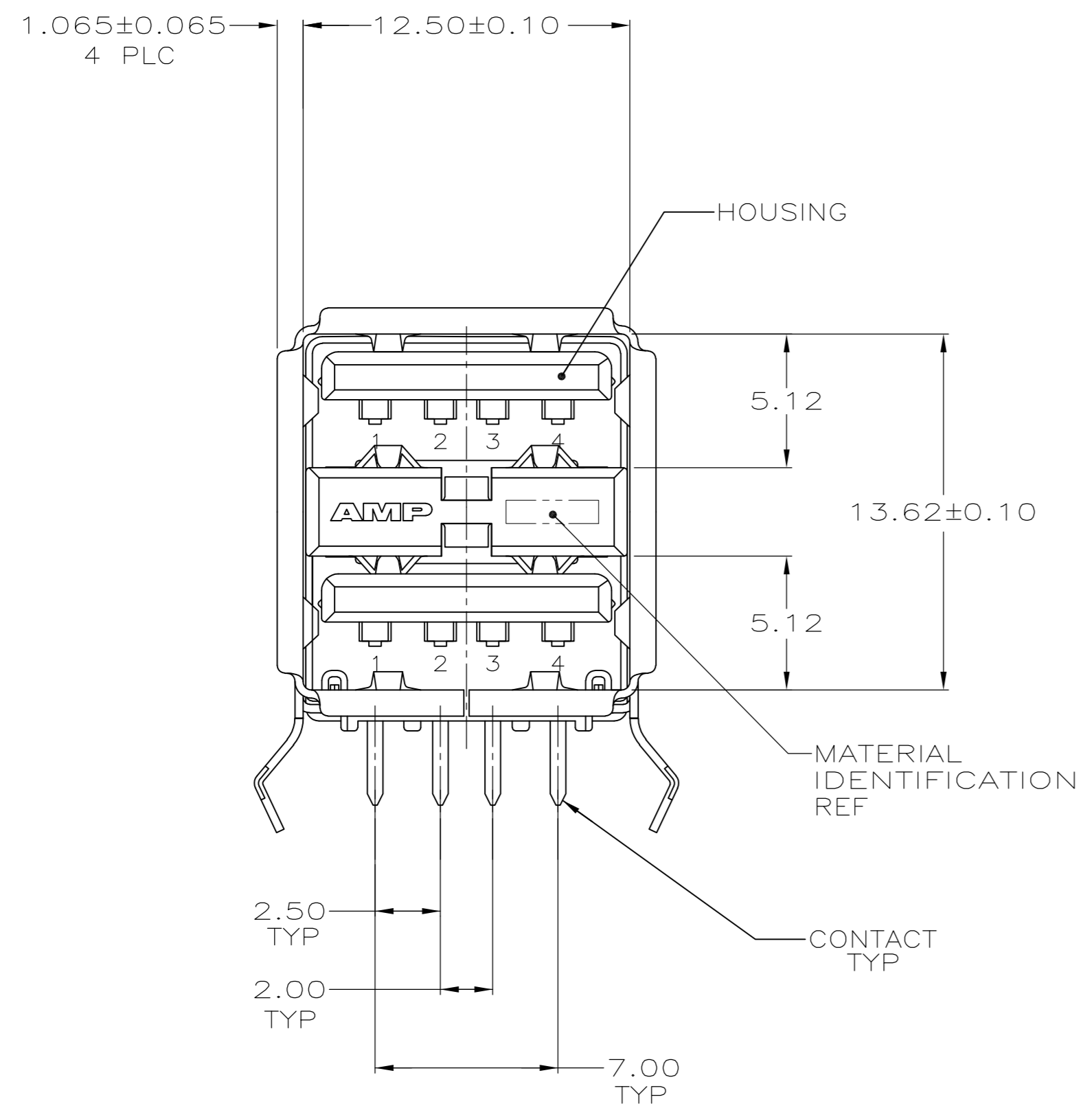
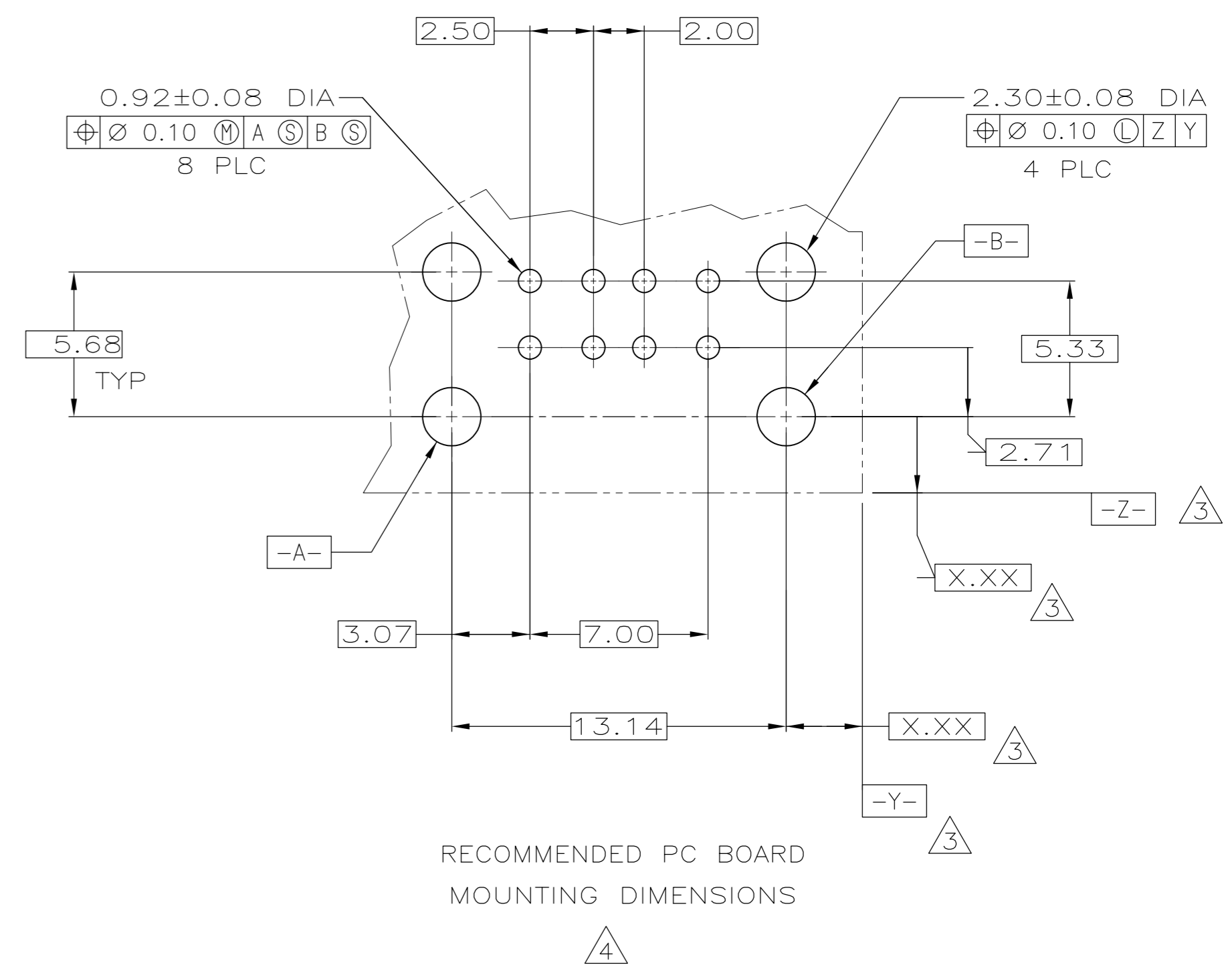


LOC	DIST	REVISIONS			
P	LTR	DESCRIPTION	DATE	DWN	APVD
J	00				
P		REVISED ECR-08-032553	23DEC08	AZ	SY



- ⚠ MATERIAL:  
SHELL & CONTACTS- COPPER ALLOY.  
HOUSING- UL 94V-0 RATED, THERMOPLASTIC, SEE TABLE.
- ⚠ PLATING:  
CONTACTS- 0.076μm MINIMUM GOLD OVER 0.76μm MINIMUM PALLADIUM-NICKEL ON MATING AREA. OR CONTACT ALTRENATE PLATING 0.76μm MINIMUM GOLD ON MATING AREA.  
3.80μm MINIMUM TIN-LEAD ON SOLDER TAILS.  
BOTH OVER 1.27μm MINIMUM NICKEL.  
SHELL: 5.10μm MINIMUM BRIGHT TIN OVER 2.50μm MINIMUM COPPER.
- ⚠ DATUM AND BASIC DIMENSIONS ESTABLISHED BY CUSTOMER.
- ⚠ RECOMMENDED PC BOARD THICKNESS OF 1.57.
- ⚠ PLATING:  
CONTACTS- 0.127μm MINIMUM GOLD ON MATING AREA, 3.80μm MINIMUM TIN-LEAD ON SOLDER TAILS.  
ALL OVER .76μm MINIMUM NICKEL ON ENTIRE CONTACT.  
SHELL: 5.10μm MINIMUM BRIGHT TIN OVER 2.50μm MINIMUM COPPER.
- ⚠ PACKAGED IN TRAYS
- ⚠ PACKAGED IN TUBES



OBSOLETE	⚠	⚠	⚠	NO	2.84±0.25	BLACK	787617-8
	⚠	⚠	⚠	NO	2.84±0.25	BLACK	787617-7
	⚠	⚠	⚠	YES	2.84±0.25	NATURAL	787617-6
OBSOLETE	⚠	⚠	⚠	YES	2.29±0.25	BLACK	787617-5
OBSOLETE	⚠	⚠	⚠	YES	2.84±0.25	BLACK	787617-4
OBSOLETE	⚠	⚠	⚠	NO	2.84±0.25	NATURAL	787617-3
OBSOLETE	⚠	⚠	⚠	NO	2.29±0.25	BLACK	787617-2
OBSOLETE	⚠	⚠	⚠	NO	2.84±0.25	BLACK	787617-1

PACKAGING	PLATING	HIGH TEMPERATURE COMPATIBLE	D	HOUSING COLOR	PART NUMBER

DIMENSIONS:		TOLERANCES UNLESS OTHERWISE SPECIFIED:		DWN M.F. SHIRK 24 MAY 95	
mm	0 PLC ±	1 PLC ±	2 PLC ±0.13	3 PLC ±	4 PLC ±
	ANGLES				
MATERIAL	FINISH	WEIGHT		AMP Incorporated Harrisburg, PA 17105-3608	
⚠	SEE CHART			RECEPTACLE ASSEMBLY, RIGHT ANGLE, STACKED, THRU-HOLE, USB	
				SIZE A1	CAGE CODE 00779
				C=787617	
				SCALE 5:1	SHEET 1 OF 1