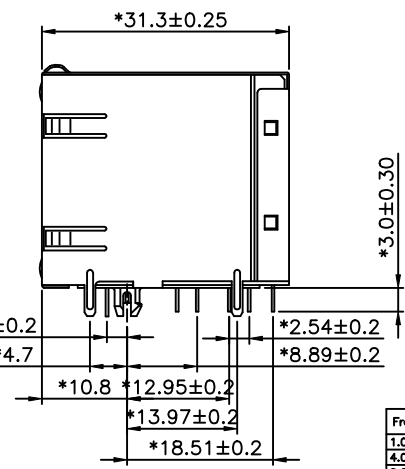
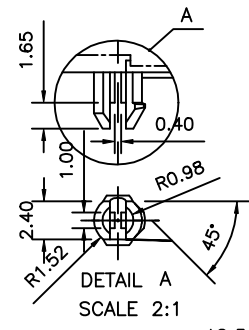
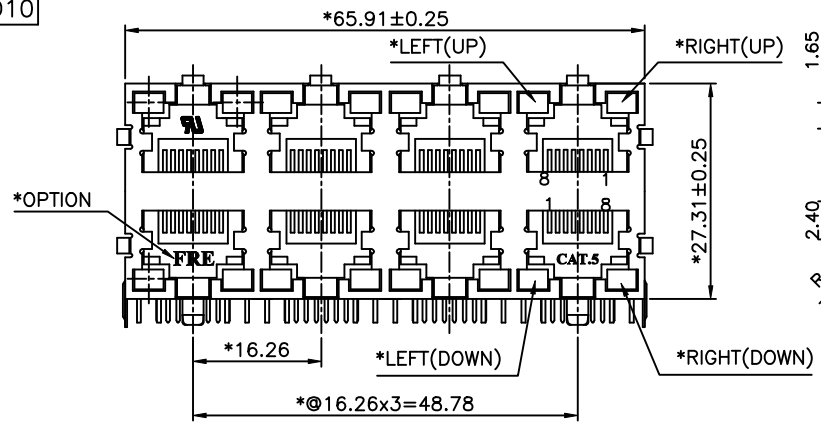
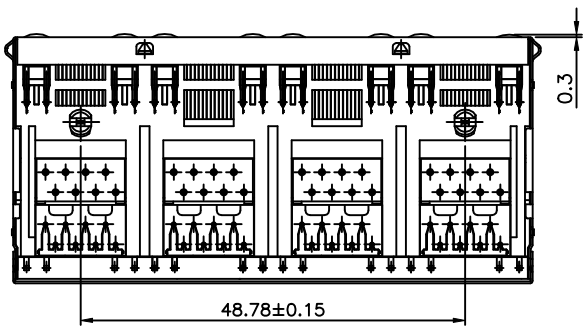


REVISION RECORD				
REV	ECO	DESCRIPTION	DRFT	CHKD



Frequency	Near-End Cross Talk dB, MIN.	Return Loss dB, MIN.	Attenuation dB, MAX.
1.0 MHZ	65	23	0.1
4.0 MHZ	65	23	0.1
8.0 MHZ	62	23	0.1
10.0 MHZ	60	23	0.1
16.0 MHZ	56	23	0.2
20.0 MHZ	54	23	0.2
25.0 MHZ	52	14	0.2
31.25 MHZ	50	14	0.2
62.5 MHZ	44	14	0.3
100.0 MHZ	40	14	0.4

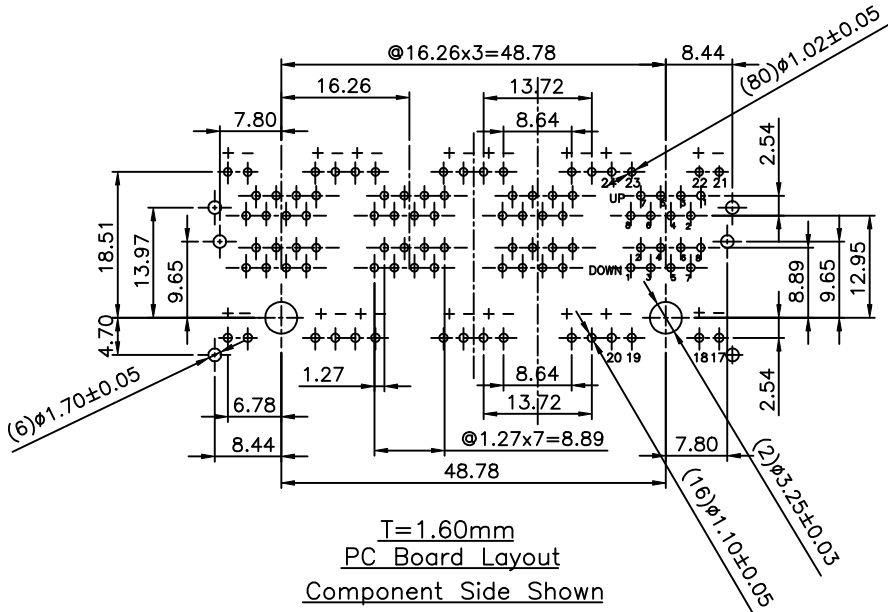


ORANGE ORANGE
 20 19 18 17
 GREEN GREEN
 ORANGE ORANGE
 24 23 22 21
 GREEN GREEN
 FOR P/N: E6588-GARWAX-L

- NOTES:**
- ELECTRICAL:**
- VOLTAGE RATING : 125 VAC RMS.
 - CURRENT RATING : 1.5 AMP.
 - CONTACT RESISTANCE : 50 MILLIOHMS MAX.
 - INSULATION RESISTANCE: 1000 MEGOHMS MIN @ 500 VDC.
 - DIELECTRIC STRENGTH : 1000 VAC RMS 60Hz, 1MIN.
 - CATEGORY 5 CHARACTERISTIC: SEE RIGHT TABLE
- MECHANICAL:**
- HOUSING MATERIAL : GLASS FILLED POLYESTER UL94V-0.
 - CONTACT MATERIAL : PHOSPHOR BRONZE $t=0.35mm$ C5210EH.
 - PLATING : 1: CONTACT AREA- SELECTIVE GOLD PLATING.
2: TAILS- 150u" TIN-LEAD MIN OVER 30u"~50u" NICKEL.
 - OPERATING LIFE : 750 CYCLES MIN.
 - PCB RETENTION PRE-SOLDER : 1 LB MIN.
 - PCB RETENTION POST-SOLDER: 10 LBS MIN.
 - LED COLOR : OPTION.
- ENVIRONMENTAL:**
- STORAGE : $-40^\circ C$ TO $+85^\circ C$.
 - OPERATION: $0^\circ C$ TO $+70^\circ C$.
 - WAVE SOLDERING TEMPERATURE: $230^\circ C \sim 250^\circ C$ (5~10 SECONDS)

MATES WITH MODULAR PLUG CONFORMING TO
 FCC PART 68, SUBPART F.
 UL & CUL FILE NO. E163191
 PART NUMBER: E6588-GARWAX-L

- Gold Thickness:
 1- 3u 2- 6u 3- 15u 4- 30u 5- 50u
- A- W/ "FRE" LOGO
 G- W/O "FRE" LOGO
- L- LEFT:GREEN ,RIGHT:GREEN (UP & DOWN)
 R- LEFT:GREEN ,RIGHT:ORANGE (UP & DOWN)
 S- LEFT:GREEN ,RIGHT:YELLOW (UP & DOWN)
 T- (UP)LEFT:GREEN ,RIGHT:YELLOW ,(DOWN)LEFT:YELLOW ,RIGHT:GREEN
 U- LEFT:YELLOW ,RIGHT:GREEN (UP & DOWN)
 V- (UP)LEFT:ORANGE ,RIGHT:GREEN ,(DOWN)LEFT:YELLOW ,RIGHT:GREEN
 W- LEFT:G+O ,RIGHT:G+O (UP & DOWN)



MM (INCH)		DFTO YANGLAN	DATE 08/12/05
TOLERANCES EXCEPT AS NOTED		CHKD MFE	DATE 2005/08/13
MM		MFO	DATE
.0 ± 0.2	±	APPL USE DATE	DATE 2005/08/13
.00 ± 0.15	±	MATERIAL :	
.00 ± 0.075	±	ANGLES ± 0.5	
THIRD ANGLE PROJECTION		QTY :	FINISH :
		SCALE : 1.5 : 1	

FULL RISE ELECTRONIC CO., LTD			
TITLE			
2X4 CAT.5 LED JACK			
DRAWING NO. GE653A11-LC			SIZE
/PART NO. SEE NOTE			A3
DO NOT SCALE DRAWING			REV 0
SHEET 1			OF 1