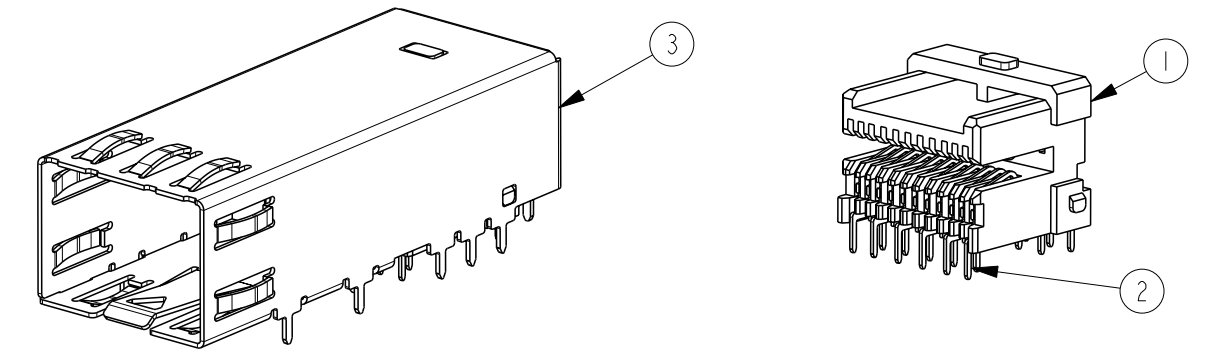
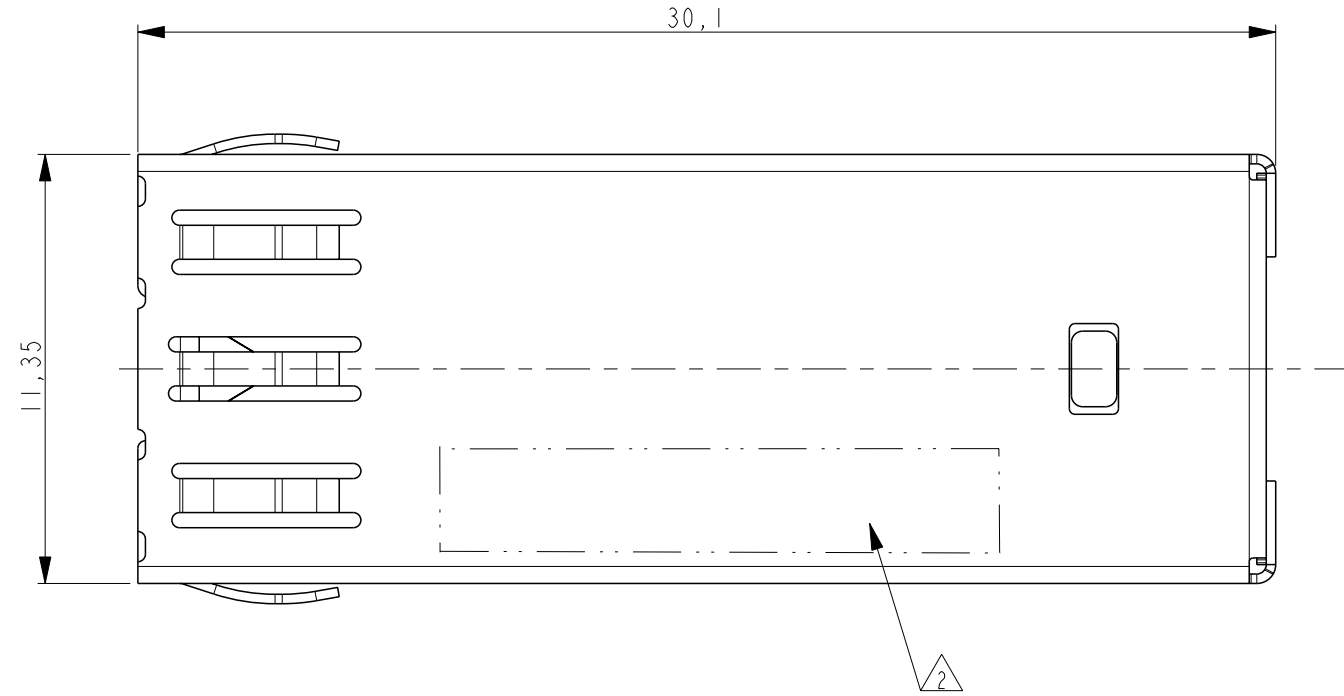
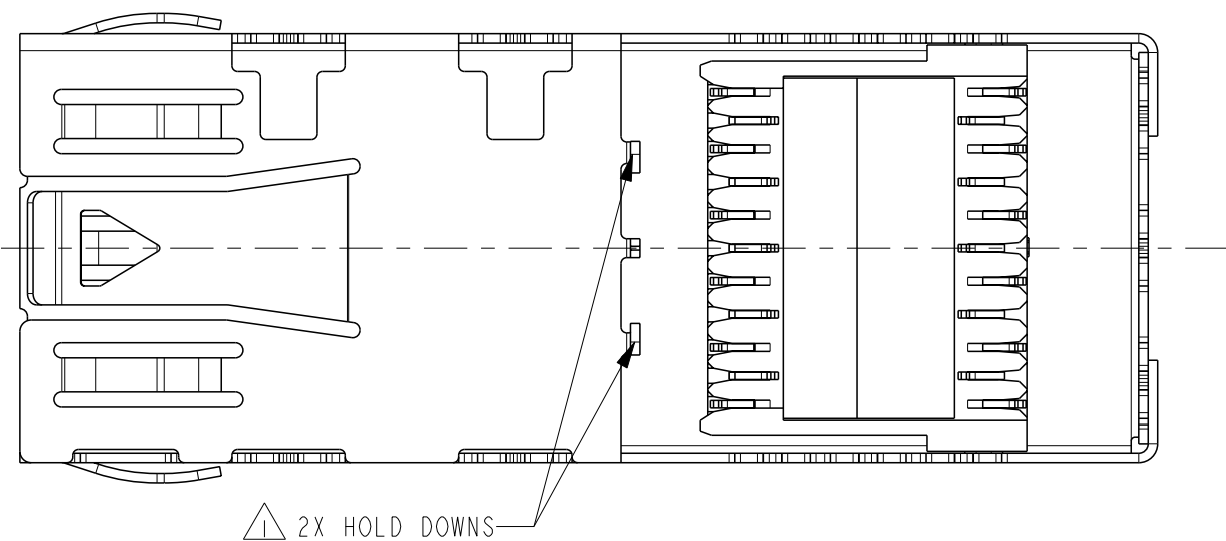
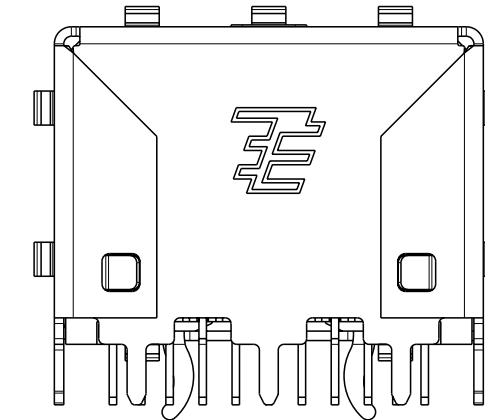
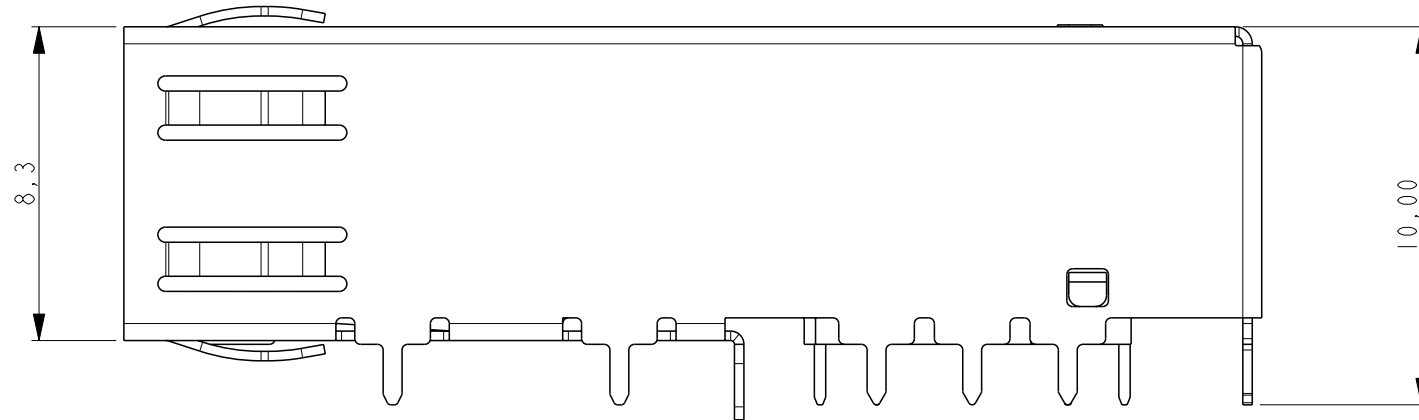
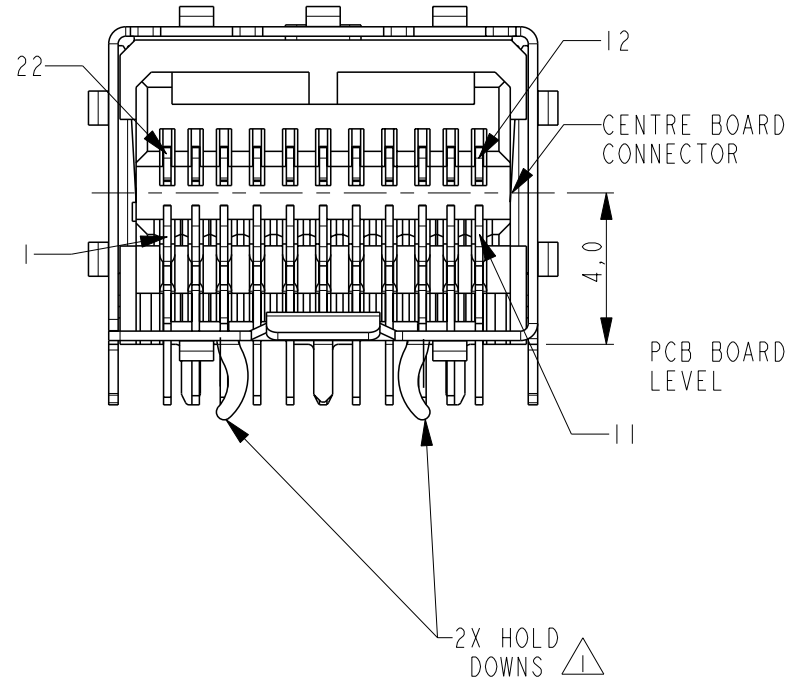


THIS DRAWING IS UNPUBLISHED. RELEASED FOR PUBLICATION
 © COPYRIGHT - Tyco Electronics AMP GmbH ALL RIGHTS RESERVED.

LOC	DIST	REVISIONS			
P	LTR	DESCRIPTION	DATE	DWN	APVD
A		RELEASED	11 FEB 2013	JS	GV
AI		ECR-13-005995	9 APR 2013	JS	GV



SCALE 5:2



NOTES:

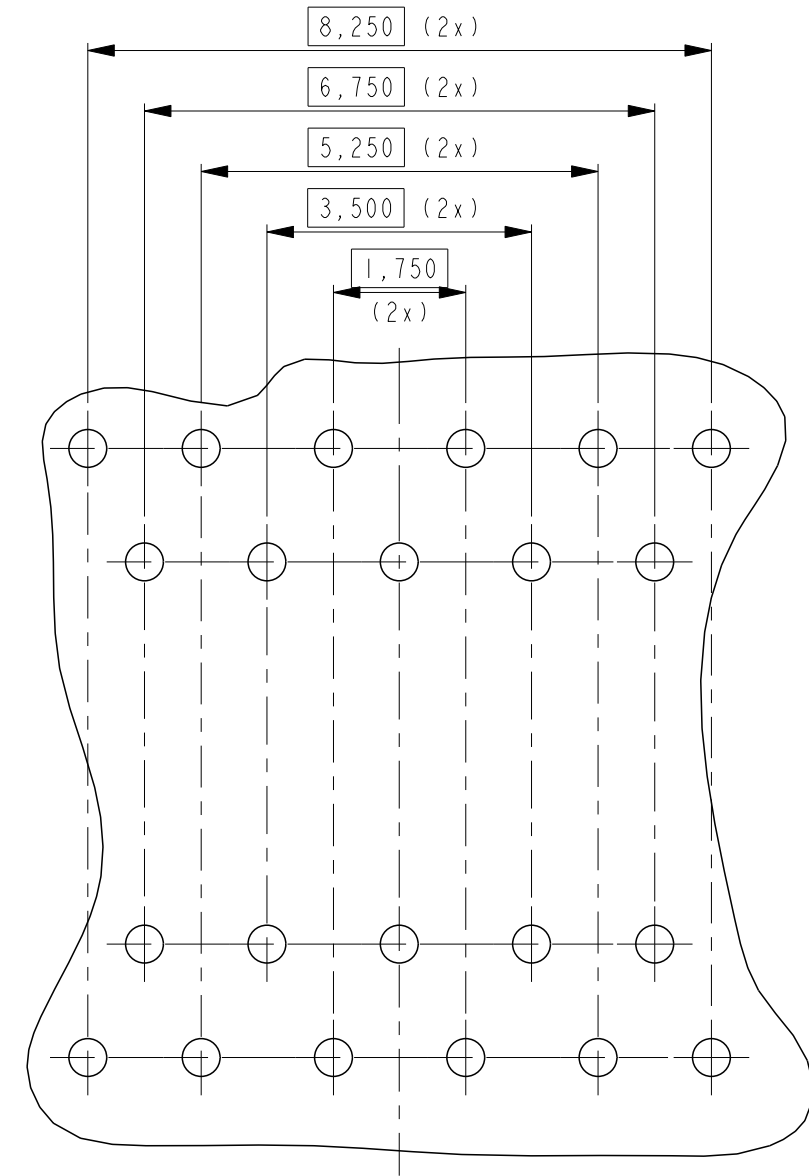
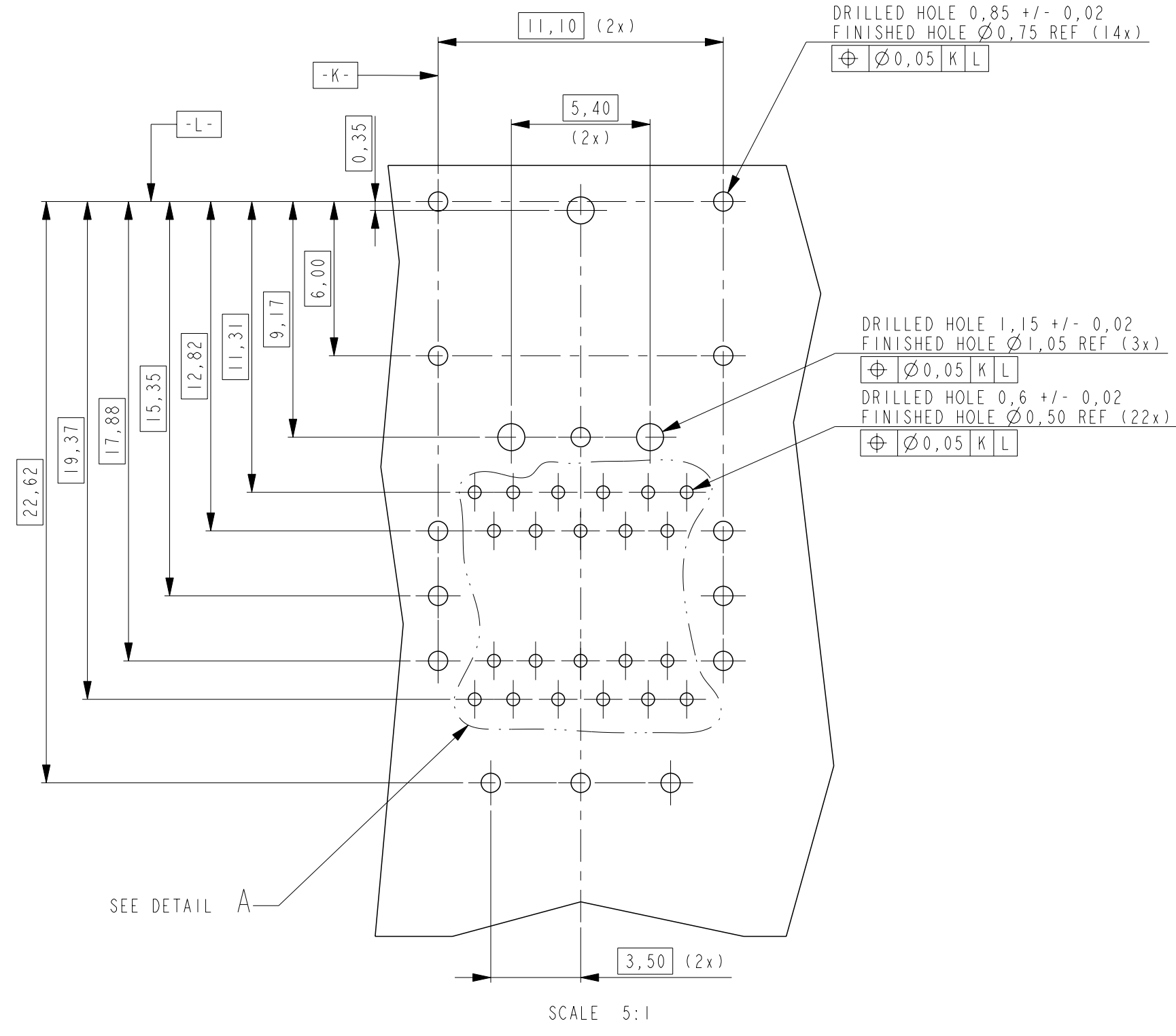
- △ HOLD DOWNS SUITABLE FOR A PCB THICKNESS RANGE OF 1,6 THRU 3,0 MM
- △ PRINTING PART NUMBER AND DATE CODE:
2246040-x
YYWW

ITEM	QUANT	DESCRIPTION	MATERIAL	FINISHING
3	1	SHIELD	COPPER ALLOY	PRE-PLATED: 3,0-6,0 µm BRIGHT Sn (REFLOWED)
2	22	CONTACTS FEMALE CONNECTOR	COPPER ALLOY	SELECTIVE 0,8-1,2 µm Au IN CONTACT AREA 3,0-5,0 µm DULL Sn IN SOLDER AREA OVER 1,25-2,5 µm Ni UNDERLAYER
1	1	HOUSING REC CONNECTOR	LCP GF UL94V-0	NA

THIS DRAWING IS A CONTROLLED DOCUMENT.		DWN	11 FEB 2013	STE TE Connectivity
		CHK	J. vd Heijden	
		CHK	J. Smits	
		APVD	G. Verduijn	
DIMENSIONS: mm		TOLERANCES UNLESS OTHERWISE SPECIFIED:		NAME
		0 PLC	±0,2	mini SFP Board Connector
		1 PLC	±0,1	
		2 PLC	±0,1	
		3 PLC	±0,1	
MATERIAL		4 PLC	±0,1	SIZE
		ANGLES	±2	A2
		FINISH		CAGE CODE
				00779
				DRAWING NO
				C-2246040
				RESTRICTED TO
				-
				SCALE 2:1
				SHEET 1 OF 2
				REV A1

THIS DRAWING IS UNPUBLISHED. RELEASED FOR PUBLICATION
 © COPYRIGHT - Tyco Electronics AMP GmbH ALL RIGHTS RESERVED.

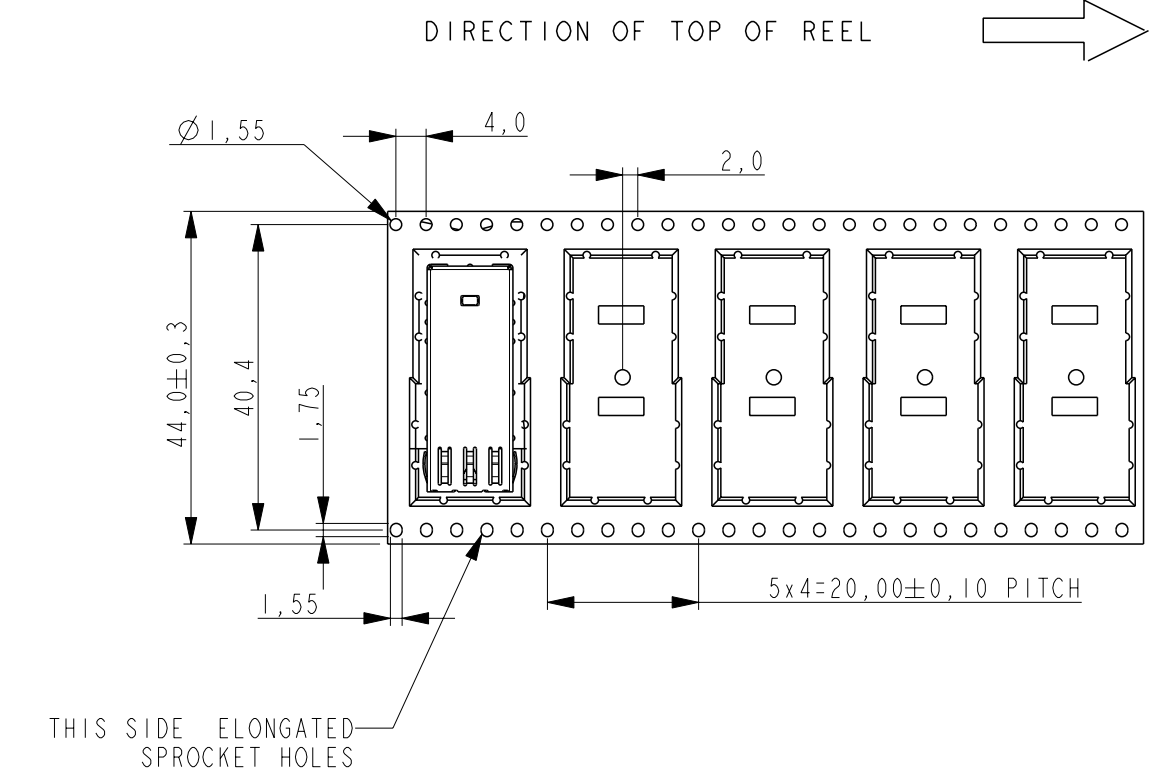
LOC		DIST		REVISIONS			
P	LTR	DESCRIPTION	DATE	DWN	APVD		
-	-	SEE SHEET 1	-	-	-		



DETAIL A
SCALE 10:1

RECOMMENDED BOARD-LAYOUT

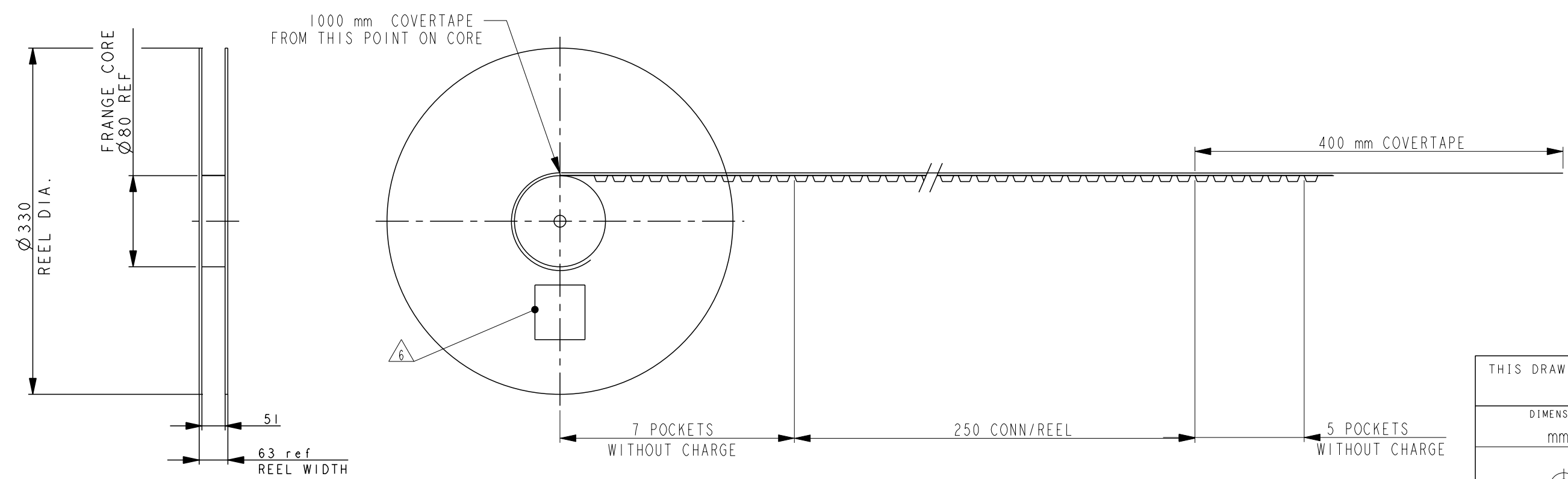
SCALE 5:1



NOTES:

- MATERIAL: BLACK POLYSTYRENE ALLOY.
- 10 SPROCKET HOLES PITCH CUMULATIVE TOLERANCE +/-0,20.
- CARRIER CAMBER IS WITHIN 1 mm IN 250 mm.
- ALL DIMENSIONS MEET EIA-481-C REQUIREMENTS.
- THICKNESS: 0,50±0,05mm.

Product No	(21P) R-state
TE P/N 2246040-1	R-7
(Bar Code)	(Bar Code)
Product Description:	(4L) Made in India
HSIO Board Connector	(Bar Code)
Manufacturing week	(Q)Quantity
YYWW	XXX
	(Bar Code)



THIS DRAWING IS A CONTROLLED DOCUMENT.		DWN	11 FEB 2013	TE Connectivity	
DIMENSIONS: mm		CHK	J. vd Heijden		
TOLERANCES UNLESS OTHERWISE SPECIFIED:		APVD	11 FEB 2013	NAME mini SFP Board Connector	
0 PLC ±0,2		PRODUCT SPEC	J. Smits		
1 PLC ±0,1		APPLICATION SPEC	G. Verduijn	SIZE CAGE CODE DRAWING NO A2 00779 C-2246040	
2 PLC ±0,1		WEIGHT	108-19467	RESTRICTED TO	
3 PLC ±0,1			114-19151	-	
4 PLC ±0,1				-	
ANGLES ±2				-	
FINISH				-	
MATERIAL		Customer Drawing		SCALE 2:1 SHEET 2 OF 2 REV A1	