

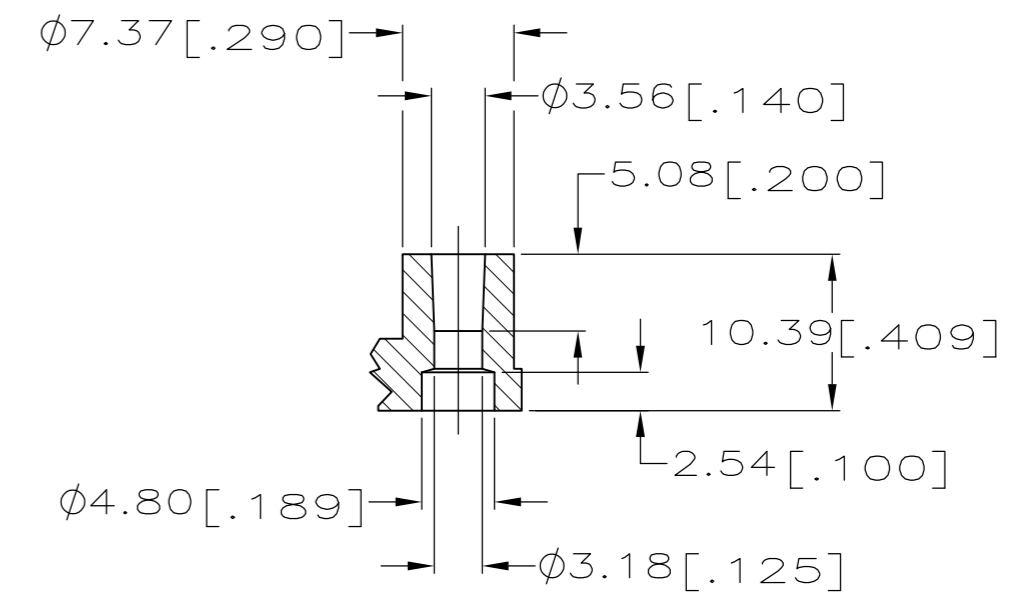
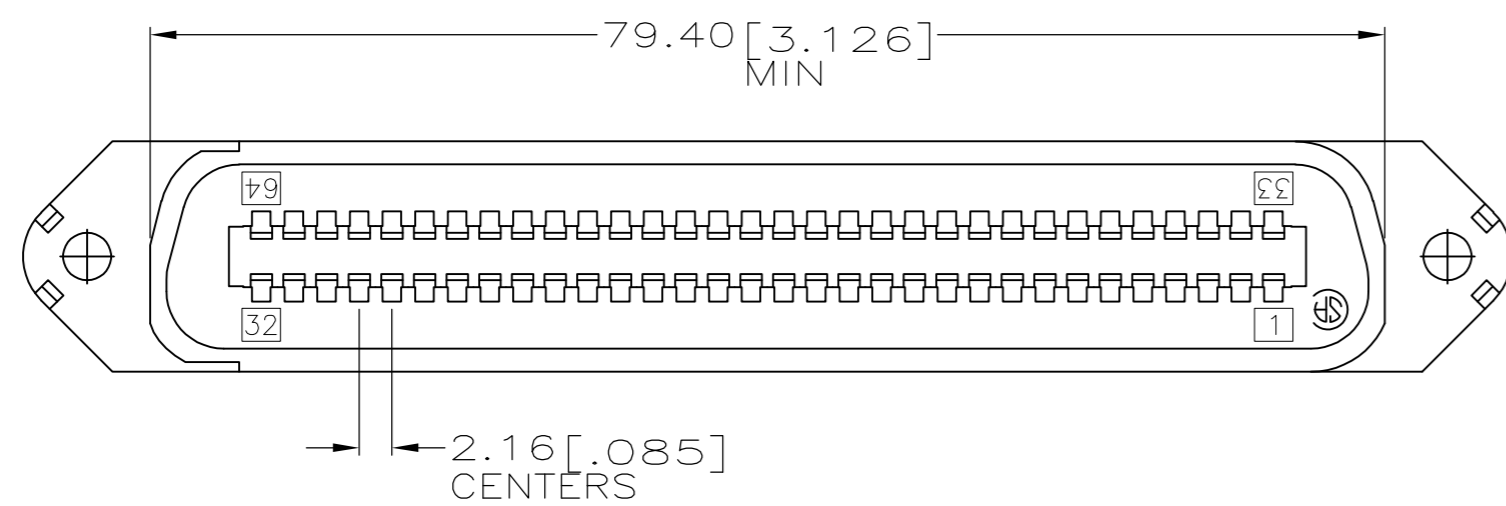
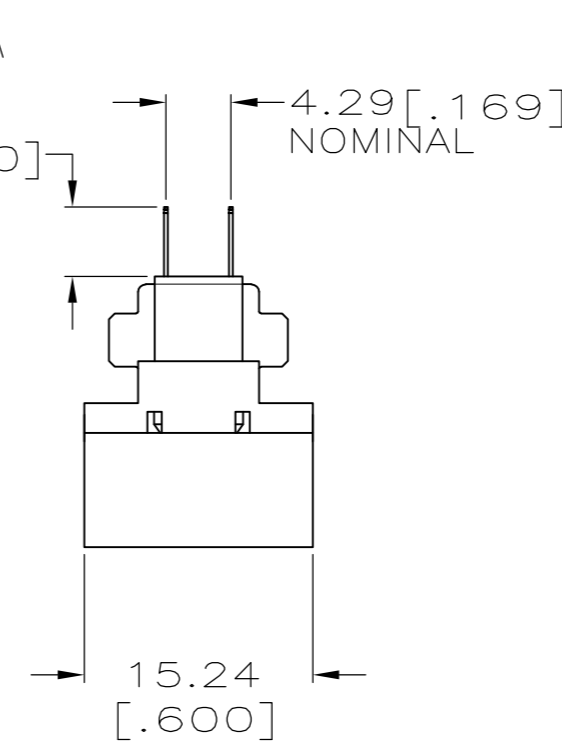
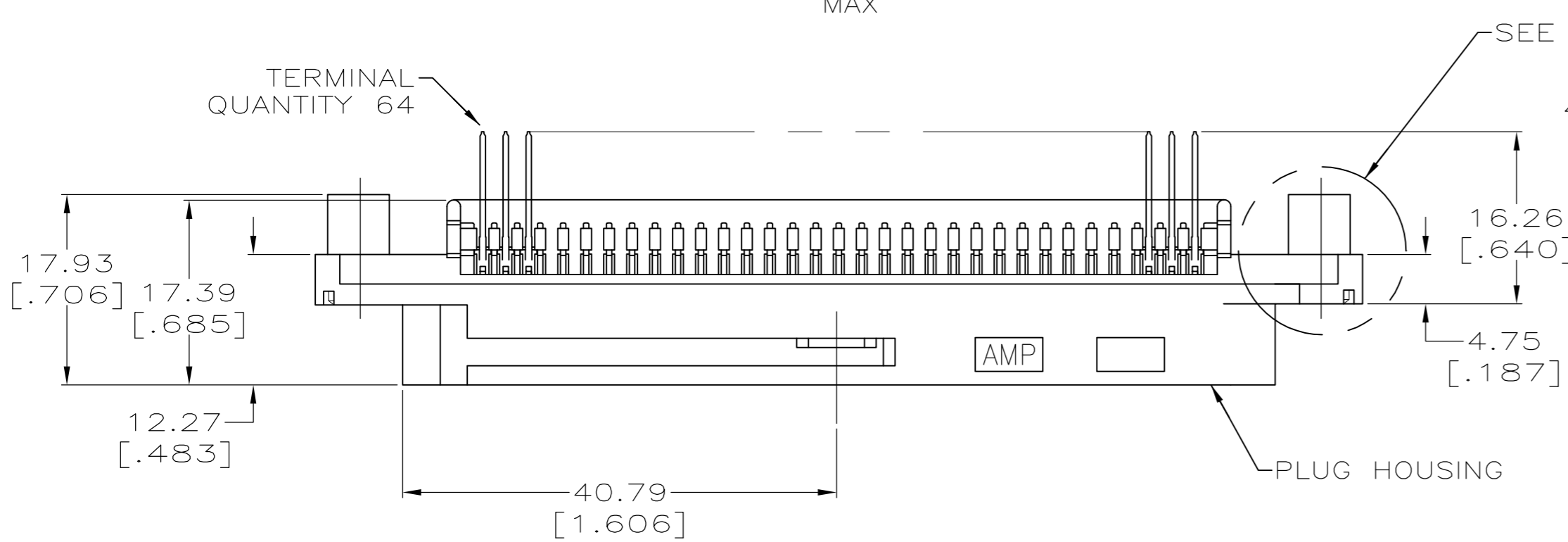
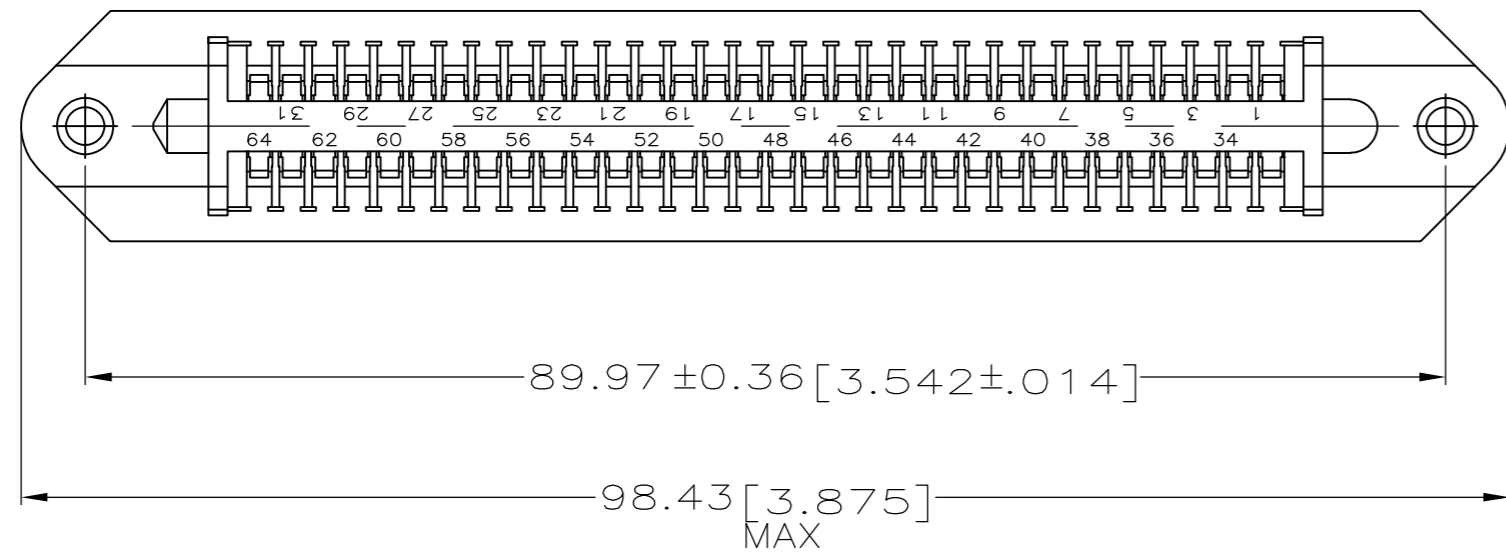
THIS DRAWING IS UNPUBLISHED. RELEASED FOR PUBLICATION  
 © COPYRIGHT BY TYCO ELECTRONICS CORPORATION. ALL RIGHTS RESERVED.

LOC		DIST		REVISIONS			
P	LTR	DESCRIPTION		DATE	DWN	APVD	
GP	00	K		REVISED PER ECO-08-007327	22JUL08	BM WM	

1 THE CONTACT SURFACES OF THE TERMINALS ARE COATED WITH LUBRICANT.

2. ALL DIMENSIONS SHOWN ARE FOR REFERENCE ONLY UNLESS OTHERWISE SPECIFIED.

3 MATERIAL:  
 HOUSING - THERMOPLASTIC, BLACK.  
 TERMINAL - PHOSPHOR BRONZE PLATED WITH EITHER 0.76µm [.000030] MIN GOLD PLATE OR GOLD FLASH OVER PALLADIUM NICKEL PLATE, 0.76µm [.000030] MIN TOTAL ON MATING SURFACE. 3.05µm [.000120] MIN TIN-LEAD PLATE ON TAILS OVER 1.27µm [.000050] MIN NICKEL UNDERPLATE OVER ENTIRE TERMINAL.



DETAIL A

552243-1  
 PART NUMBER

THIS DRAWING IS A CONTROLLED DOCUMENT.		DWN DL DRUMMOND 100CT2001	Tyco Electronics Corporation Harrisburg, PA 17105-3608	
DIMENSIONS: mm [INCHES]		CHK DL DRUMMOND 100CT2001	NAME	
TOLERANCES UNLESS OTHERWISE SPECIFIED:		APVD EW BEILES 100CT2001	PRODUCT SPEC	
0 PLC ± -	1 PLC ± -	APPLICATION SPEC		
2 PLC ± -	3 PLC ± -	WEIGHT -		
4 PLC ± -	ANGLES ± -	SIZE A2 CAGE CODE 00779 DRAWING NO C=552243 RESTRICTED TO -		
MATERIAL	FINISH	SCALE 2:1 SHEET 1 OF 1 REV K		
3	3	CUSTOMER DRAWING		