



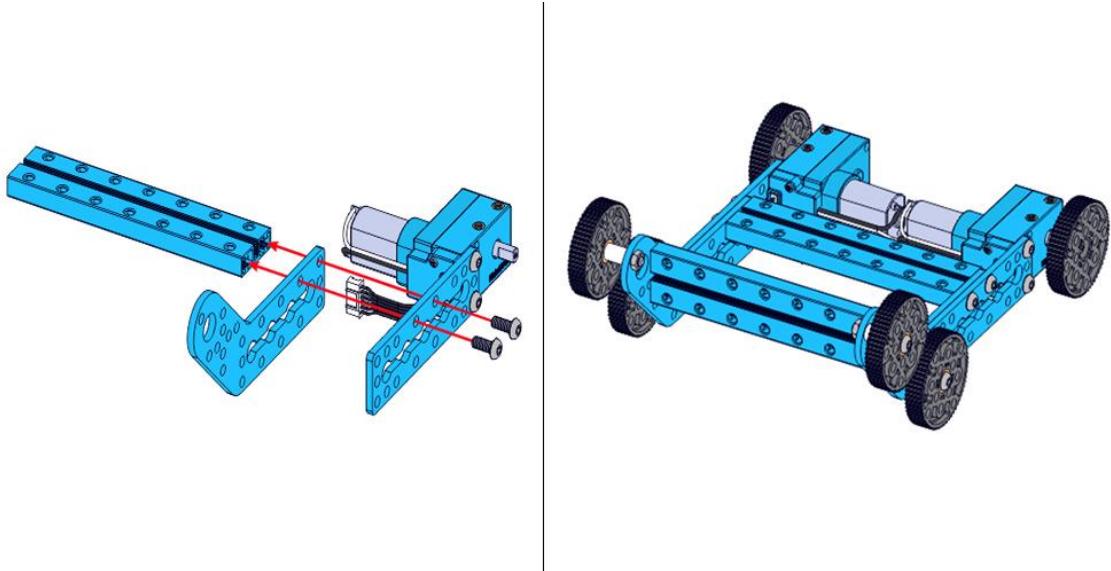
Plate 135°

SKU: 61410 Weight: 16.00 Gram

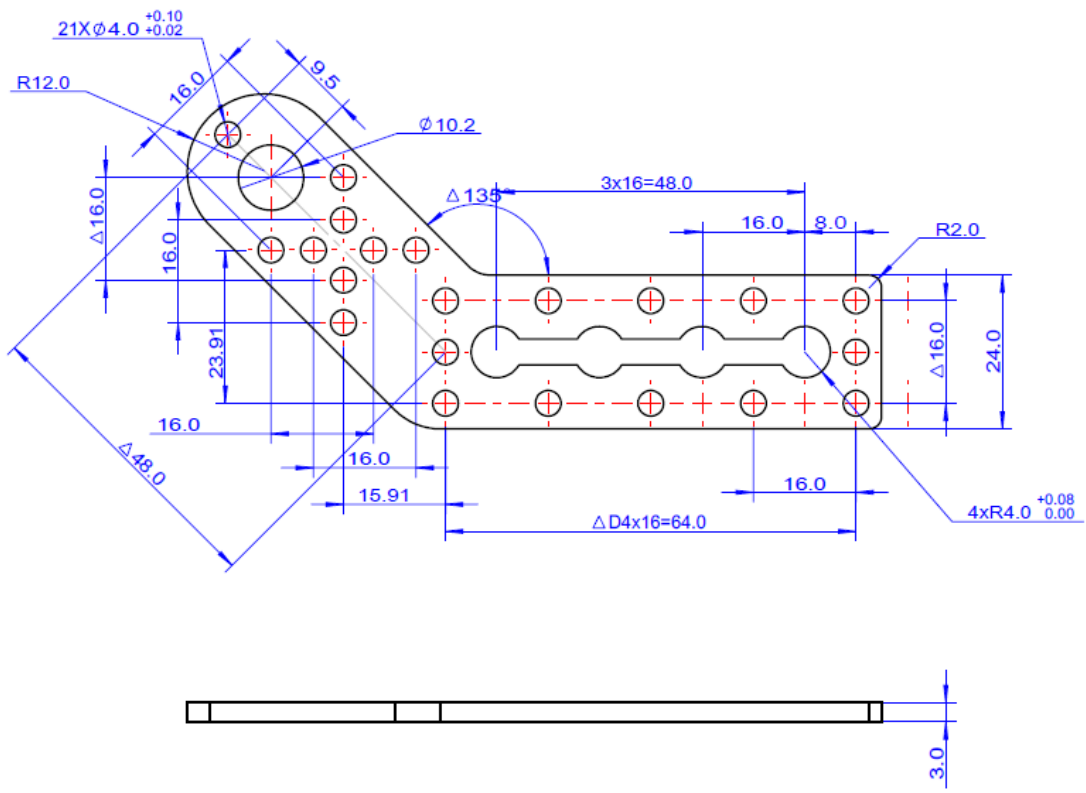
Plate 135°

Plate 135° is one of Makeblock parts for DIY. It is made of 6061 aluminum alloy with Aluminum extrusion technology. This part is also compatible with all Makeblock parts. You can build a structure with an angle of 135 degrees with it, such as mBot Ranger. All in all, it will make your robots or machines more flexible.

DEMO



Size Charts



Specifications

SKU	61410
Product Dimensions	108x52x3mm (4.25x2.05x0.12 inch)
Net Weight	16g (0.56oz)
Color	Blue



<https://store.makeblock.com/plate-135-8-8-18>