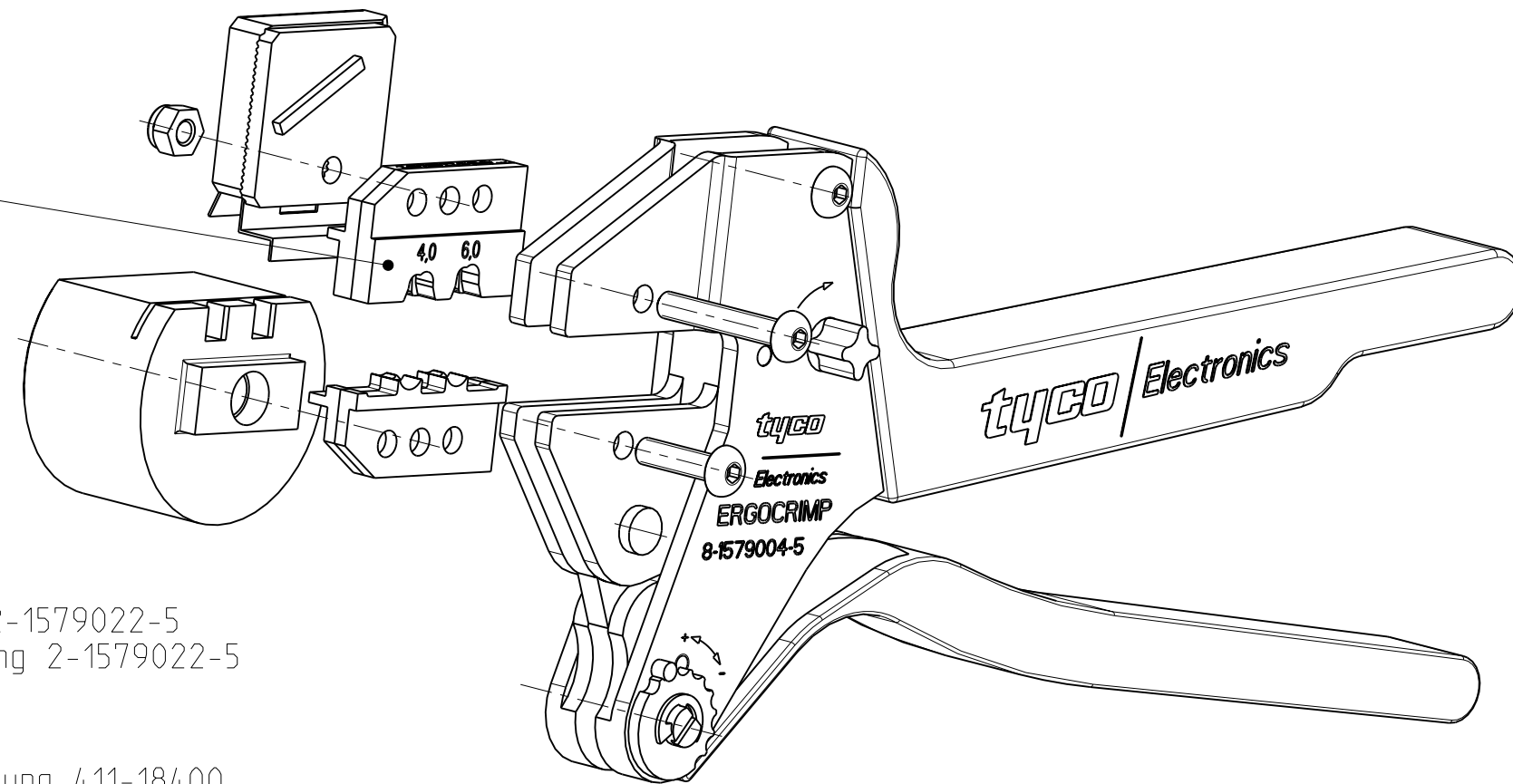


THIS DRAWING IS UNPUBLISHED. RELEASED FOR PUBLICATION 2007
 © COPYRIGHT 2007 BY TYCO ELECTRONICS CORPORATION. ALL RIGHTS RESERVED.

LOC	DIST	REVISIONS			
P	LTR	DESCRIPTION	DATE	DWN	APVD
A1	-				
	A1	ECR-07-029259	12DEC2007	KL.	-

ERGOCRIMP HAND TOOL FOR TB DOUBLE FLAT SPRING BL1-3 TERMINAL 4,0-6,0 mm²

Ergocrimp Matrize als Ersatzteil erhaeltlich
 Tyco Electronics Nr.: 2-1579022-5
 Ergocrimp die set as spare part available
 Tyco Electronics No. 2-1579022-5



Einzelteile der Ergocrimp Matrize bestellbar. Siehe Zeichnung 2-1579022-5
 Spare parts of the Ergocrimp die set are available. See drawing 2-1579022-5

Handzange mit Matrize zusammengebaut und mit Bedienungsanleitung 411-18400
 im Karton verpackt
 Hand tool assembled with die set and packed with instruction sheet 411-18400
 in a cardboard

Kontakt	DGB (mm ²)	Drahtcrimp / Wire Crimp		Isolationscrimp/Insulationcrimp		Isol.Ø	Betriebsanl.
Contact	Wire Range	Hoehe/Height (mm)	Breite/Width (mm)	Hoehe/Height (mm)	Breite/Width (mm)	Ins.Range	Instr.Sheet
26966.306.179	4.00	2.40±0.05	3.45 F	4.10±0.20	5.10 0V	3.40-3.70	411-18400
	6.00	2.70±0.05	3.50 F	4.70±0.20	4.70 0V	4.00-4.30	
	-----	-----	-----	-----	-----	-----	

THIS DRAWING IS A CONTROLLED DOCUMENT FOR TYCO ELECTRONICS CORPORATION IT IS SUBJECT TO CHANGE AND THE CONTROLLING ENGINEERING ORGANIZATION SHOULD BE CONTACTED FOR THE LATEST REVISION.		DWN R.KLAW ONN 18APR2007	tyco Electronics AMP GmbH 64625 Bensheim (Germany)	
DIMENSIONS: mm		CHK - 18APR2007	NAME ERGOCRIMP HAND TOOL FOR TB DOUBLE FLAT SPRING BL1-3 TERMINAL 4,0-6,0mm ²	
TOLERANCES UNLESS OTHERWISE SPECIFIED: 0 PLC ±- 1 PLC ±- 2 PLC ±- 3 PLC ±- 4 PLC ±- ANGLES ±1°		APVD -	PRODUCT SPEC -	
MATERIAL -		FINISH -	APPLICATION SPEC -	RESTRICTED TO -
		WEIGHT -	SIZE A3	CAGE CODE 00779
		CUSTOMER DRAWING	DRAWING NO 8-1579004-5	SCALE 1:1
			SHEET 1	OF 1
			REV A1	