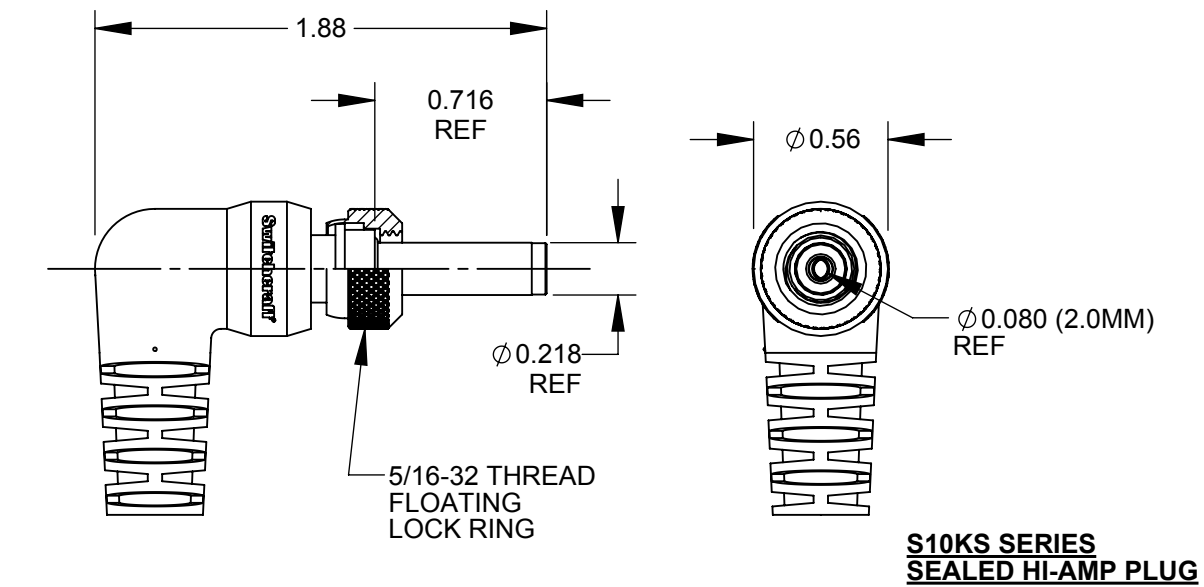


WIRING TABLE	
POWER PLUG	WIRE COLOR
TIP	RED
SLEEVE	BLACK



C A R A 0 7 9 8 4

CABLE ASSEMBLY ———— STRIP AND TIN 1/2 INCH BY 1/4 INCH

RIGHT ANGLE ————

79 INCHES (2 METERS) OF CABLE

761KS - SEALED 0.100 (2.5MM) ID

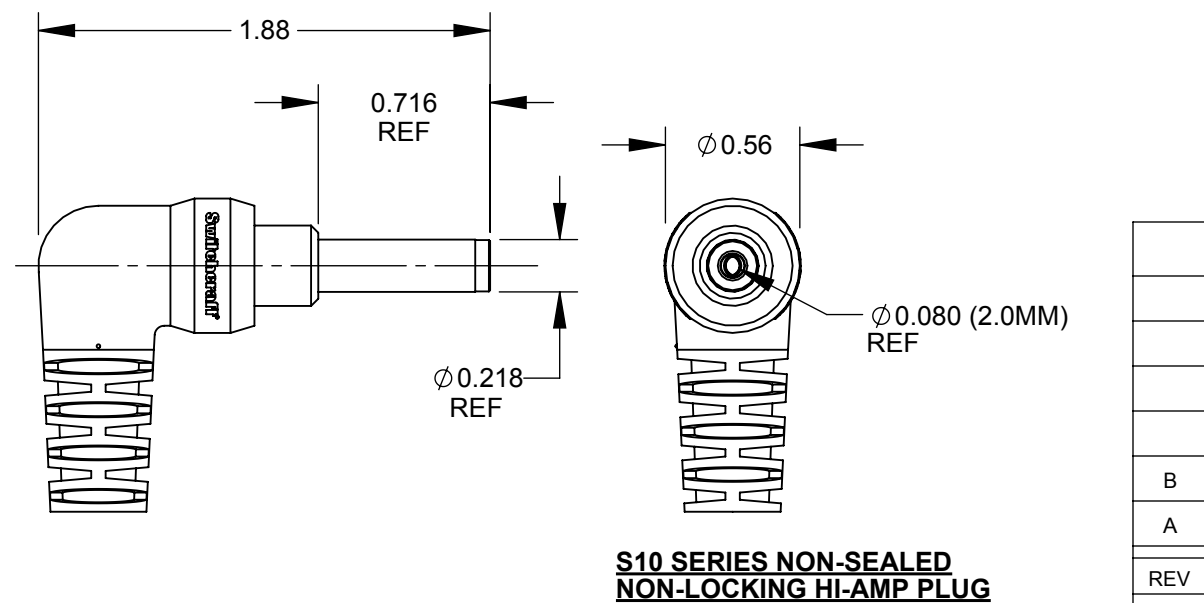
767KS - SEALED 0.084 (2.1MM) ID

S761KS - SEALED 0.080 (2.0MM) ID

S10KS - HI AMP - SEALED 0.080(2.0MM) ID

S10 - HI AMP NON-SEALED - 0.080(2.0MM) ID NON-LOCKING

CUSTOMER DRAWING



REV	ECO NUMBER	DATE	BY	APVD
B	27615	11-30-15	TO	TJK
A	27477	4/2/15	TJK	TJK

UNLESS OTHERWISE SPECIFIED

1. ALL DIMENSIONS IN INCHES

- TWO PLACE DECIMALS ±0.02

- THREE PLACE DECIMALS ±0.005

DO NOT SCALE DRAWING

THIS DRAWING DESCRIBES A DESIGN CONSIDERED PROPRIETARY IN NATURE, DEVELOPED AND MANUFACTURED BY SWITCHCRAFT INC. AND IS RELEASED ON A CONFIDENTIAL BASIS FOR IDENTIFICATION PURPOSES ONLY.										
SIZE	WIDTH	MULT	LBS/M	TEMPER						
FINISH SPEC No.					MATERIAL SPEC No.					
FIRST USED ON				SCALE 1.25:1						
DATE DRAWN	BY	CHKD	APVD	Switchcraft®						
3/19/15	AB	AB	TJK	SHEET 1 OF 1						
			3/19/15			4/2/15		PART No. CARA_07984		REV B