

## Smart Two Channel Low-Side Switch

### Features

- Power limitation
- Overtemperature protection
- Overload protection
- Short circuit protection
- Diagnostic feedback
- Overvoltage protection
- $\mu$ C compatible input
- Electrostatic discharge (ESD) protection

### Product Summary

Supply voltage	$V_S$	6.5 - 40	V
Drain source voltage	$V_{DS(AZ)max}$	60	V
On resistance	$R_{ON (typ)}$	0.21	$\Omega$
Output current	$I_D$	2 x 4	A
Nom. output current	$I_{D(ISO)}$	2 x 1.3	A

### Application

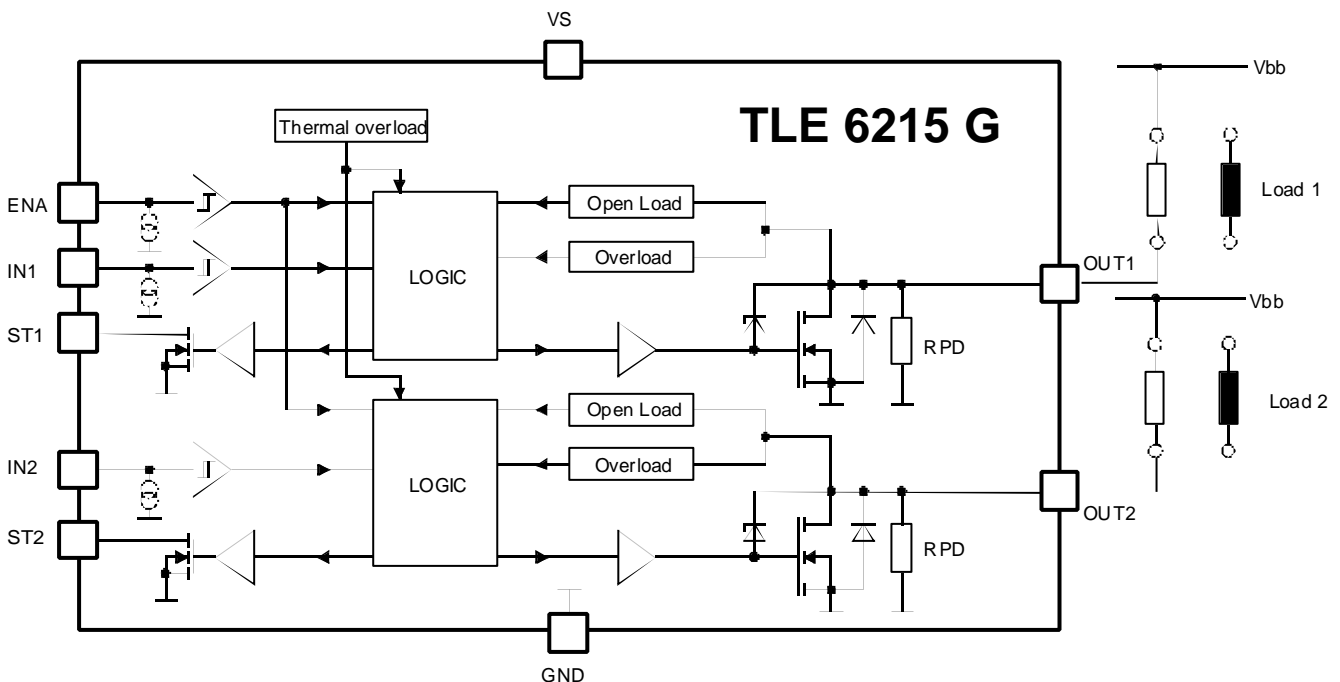
- All kinds of resistive and inductive loads (relays,electromagnetic valves)
- $\mu$ C compatible power switch
- Solenoid control switch in automotive and industrial control systems



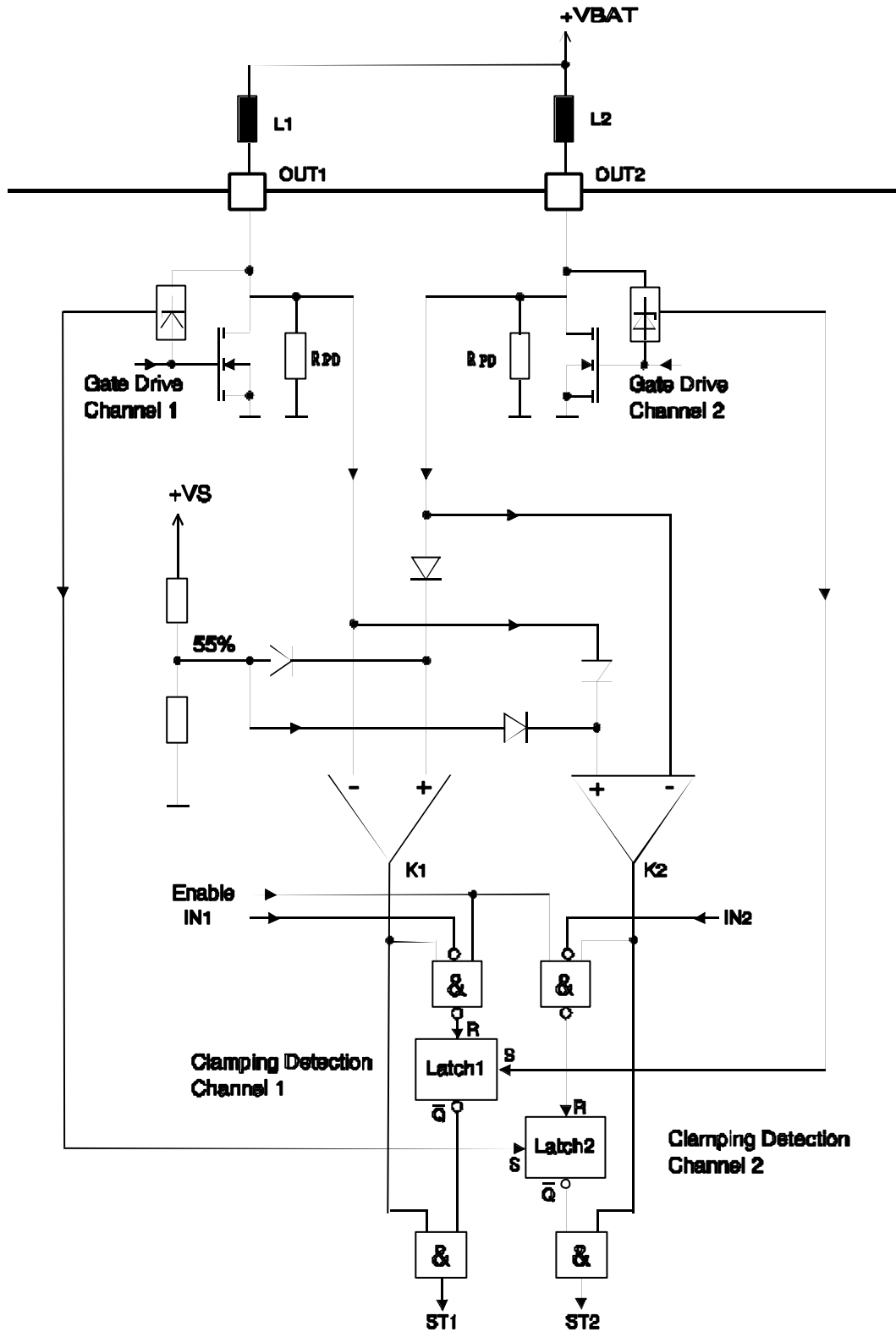
### General description

Double channel Low-Side-Switch in Smart Power Technology (SPT) with two separate inputs and two open drain DMOS output stages. The TLE 6215 G is fully protected by embedded protection functions and designed for automotive and industrial applications.

### Block Diagram



### Block Diagram of Open Load Detection



## Maximum Ratings for $T_j = -40^{\circ}\text{C}$ to $150^{\circ}\text{C}$

Parameter	Symbol	Values	Unit
Supply voltage	$V_S$	- 0.3 ... + 40	V
Supply voltage operational range	$V_S$	+ 4.8 ... + 40	V
Continuous drain source voltage (OUT1, OUT2)	$V_{DS}$	45	V
Input voltage IN1, IN2, ENA	$V_{IN}$	- 0.3 ... + 6	V
Status output voltage	$V_{ST}$	- 0.3 ... + 32	V
Operating temperature range	$T_j$	- 40 ... + 150	$^{\circ}\text{C}$
Storage temperature range	$T_{stg}$	- 55 ... + 150	
Output current per channel	$I_{D(lim)}$	Overload shutdown	A
Output current at reversal supply	$I_{D 1,2}$	- 4	A
Status output current	$I_{ST}$	- 5 ... + 5	mA
Inductive load single switch off dissipation energy $T_j = 25^{\circ}\text{C}$	$E_{AS}$	50	mJ
Electrostatic Discharge Voltage (HBM) according to MIL STD 883D, method 3015.7 and EOS/ESD assn. Standard S5.1 – 1993	Output 1,2 Pins	4000	V
	All other Pins	2000	V
Thermal resistance	junction - case <sup>1</sup>	12	K/W
	junction - ambient	75	
Maximum operating lifetime (according to "Ambient thermal conditions")	$t_b$	10000	h

## Ambient thermal conditions

Pos	$T_{Ambient}$ temperature range	operating periods
11	-40 $^{\circ}\text{C}$	2 %
12	-20 $^{\circ}\text{C}$	10 %
13	25 $^{\circ}\text{C}$	24 %
14	60 $^{\circ}\text{C}$	34 %
15	80 $^{\circ}\text{C}$	24 %
16	100 $^{\circ}\text{C}$	5 %
17	> 120 $^{\circ}\text{C}$	1 %

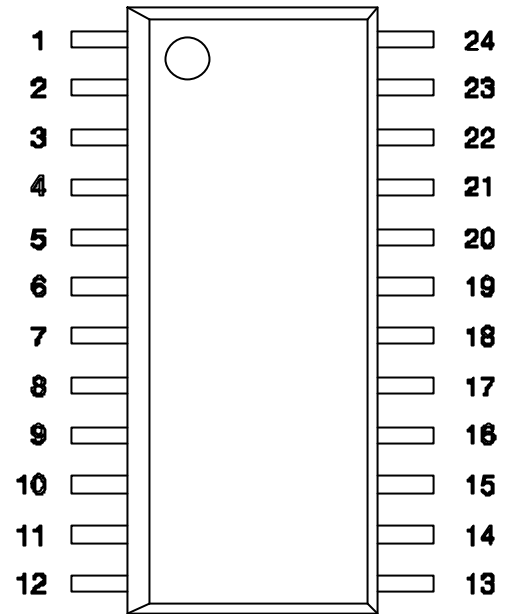
<sup>1</sup> Case = Pin 5 to 8 and 17 to 20.

Additionally the pins not connected (N.C.) have to be connected to the ground plane used as thermal heatsink to achieve the best thermal resistance.

## Pin Definitions and Functions

Pin	Symbol	Function
1	IN1	Control input channel 1
2	ST2	Status output channel 2
3	OUT2	Power output channel 2
4	N.C.	Not connected, cooling
5,6,7,8	GND	Ground, cooling
9,10	N.C.	Not connected, cooling
11	ENA	Enable input for both channels
12	V <sub>S</sub>	Supply voltage
13,14,15,16	N.C.	Not connected, cooling
17,18,19,20	GND	Ground, cooling
21	N.C.	Not connected, cooling
22	OUT1	Power output channel 1
23	ST1	Status output channel 1
24	IN2	Control input channel 2

## Pin Configuration(top view)



## Electrical Characteristics

Parameter and Conditions $V_S = 6.5$ to $40$ V ; $T_j = -40$ °C to $+150$ °C (unless otherwise specified)	Symbol	Values			Unit
		min	typ	max	

### 1. Power Supply ( $V_S$ )

Supply current (Outputs ON)	$V_S = 40$ V	$I_S$			5	mA
	$V_S \leq 18$ V			2,5	4	
Supply current (Output OFF)	$V_S \leq 18$ V	$I_S$		1,5	3	mA
Operating voltage		$V_S$	4.8		40	V

### 2. Power Outputs

ON state resistance; $I_D = 4$ A; $V_S \geq 9.5$ V	$T_j = 25$ °C	$R_{DS(ON)}$		0.21		$\Omega$
	$T_j = 150$ °C				0.42	
Z-Diode clamping voltage (OUT1, OUT2)		$V_{DS(AZ)}$	45		60	V
Pull down resistor	$T_j = 25$ °C	$R_{PD}$	14	20	26	k $\Omega$
	$T_j \leq 125$ °C		10		40	
Output on delay time <sup>2</sup>	$I_D = 0.2$ A	$t_{on}$	10	25	40	$\mu$ s
Output off delay time <sup>2</sup>	$I_D = 2$ A	$t_{off}$		40		
Output on fall time <sup>2</sup>	$I_D = 0.2$ A	$t_{fall}$		20		
Output off rise time <sup>2</sup>	$I_D = 2$ A	$t_{rise}$		25		
Output off status delay time <sup>2</sup>	$I_D = 2$ A	$t_4$	20	40	60	
Output on status delay time <sup>2 3 4</sup>		$t_5$			50	
Overload switch-off delay time <sup>3</sup>		$t_{DSO}$	50		150	

### 3. Digital Inputs (IN1, IN2, ENA)

Input low voltage		$V_{INL}$	-0.3		1.0	V
Input high voltage		$V_{INH}$	2.0		6.0	V
Input voltage hysteresis		$V_{INHys}$	0.2		0.6	V
Input pull down current	$V_{IN} = 5$ V; $V_S \geq 9$ V	$I_{IN}$	50	100	140	$\mu$ A
Enable pull down current	$V_{ENA} = 5$ V; $V_S \geq 9$ V	$I_{ENA}$	15	30	45	$\mu$ A

### 4. Digital Status Outputs (ST1, ST2), open Drain

Output voltage low	$I_{ST} = 2$ mA	$V_{STL}$			0.5	V
Leakage current high		$I_{STH}$			10	$\mu$ A

<sup>2</sup> See timing diagram, resistive load condition;  $V_S \geq 9$  V

<sup>3</sup> This parameter will not be tested but assured by design

<sup>4</sup> Time till status valid after switching on or error detection

## Electrical Characteristics

Parameter and Conditions $V_S = 6.5$ to $40$ V ; $T_j = -40$ °C to $+150$ °C (unless otherwise specified)	Symbol	Values			Unit
		min	typ	max	

### 5. Diagnostic Functions

Open load detection voltage (Output OFF)	$V_S \leq 18$ V $V_S = 12$ V	$V_{DS(OL)}$	$0.515 \cdot V_S$ 6.2		$0.585 \cdot V_S$ 7.0	V
Open load compare voltage <sup>5</sup>	$18V > V_{DSC} > 0.65 \cdot V_S$	$V_{DS(OL)C}$	$V_{DSC} - 1.6$		$V_{DSC} - 0.9$	V
Open load detection current (Output ON)		$I_{D(OL)}$	100		500	mA
Overload threshold current	$V_S \geq 9.5$ V	$I_{D(lim)}$	5			A
Overtemperature shutoff threshold <sup>6</sup>		$T_{th}$	170		200	°C
Hysteresis		$T_{hys}$		10		K

## Application Description

This IC is specially designed to drive inductive loads (relays, electromagnetic valves). Integrated clamp-diodes limit the output voltage peak when switching off an inductive load.

For the detection of errors there are two status outputs, which monitor the following errors by logic levels:

- thermal overload,
- open and short load to ground in active an inactive mode,
- overloading of output (also shorted load to supply) in active mode.

## Circuit Description

### Input Circuits

The control and enable inputs, all active high, consist of Schmitt triggers with hysteresis. All inputs are connected with pull-down current sources. Not connected inputs are interpreted as "low".

### Switching Stages

The power outputs consist of a DMOS power transistor with open drain. The output stages are short-load-protected throughout the operating range. Integrated clamp-diodes limit voltage spikes produced when inductive loads are discharged.

### Protective Circuit

The outputs are protected against current overload. There is no protection against reverse polarity of the supply voltage.

<sup>5</sup>  $V_{DSC}$  is the output voltage of the other channel used for open load compare detection

<sup>6</sup> This parameter will not be tested but assured by design

## Error Detection

The status output signal of the switching stages at normal operation is LOW = OFF; HIGH = ON. In case of any error the status outputs are set according to the table below. If current overload or thermal overload occurs, the error condition is stored in an internal register and the output is shutdown. To reset this register the control input of the affected channel has to be switched off and then on again. The state of the error detection circuit is directly dependent on the input status.

Open load is detected for both on- and off-modus.

In the on-modus the load current is monitored. If it drops below the specified threshold open load is detected. In the off mode, the output voltage is monitored.

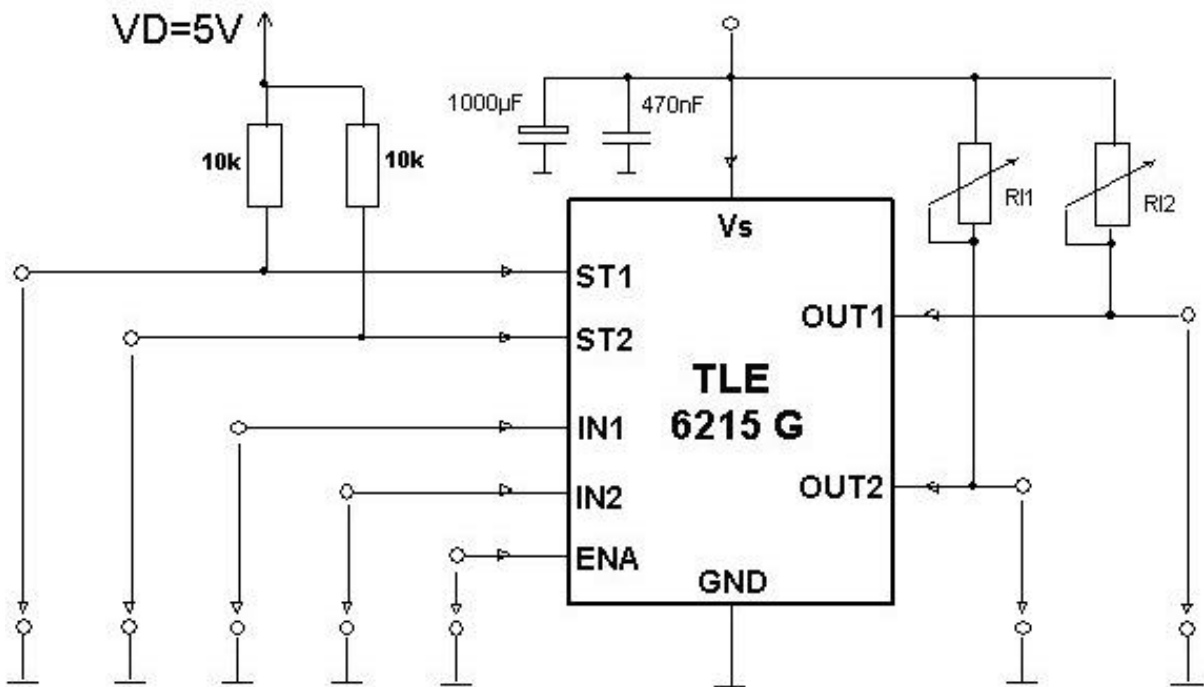
An open load condition is detected when the output voltage of a given channel is below 55 % of the supply voltage  $V_S$ . Also the output voltages of two outputs are compared against each other in off condition with a fixed offset of typ. 1.25 V to recognize GND bypasses. To suppress fault diagnosis during the flyback phase of the compared output, the diagnostic circuit includes a latch function. Reset of this latch is done at end of the flyback phase, additionally it can be reseted by a low signal on the enable input and by a high signal of the input signal. See also the block diagram of open load detection.

## Diagnostic Table

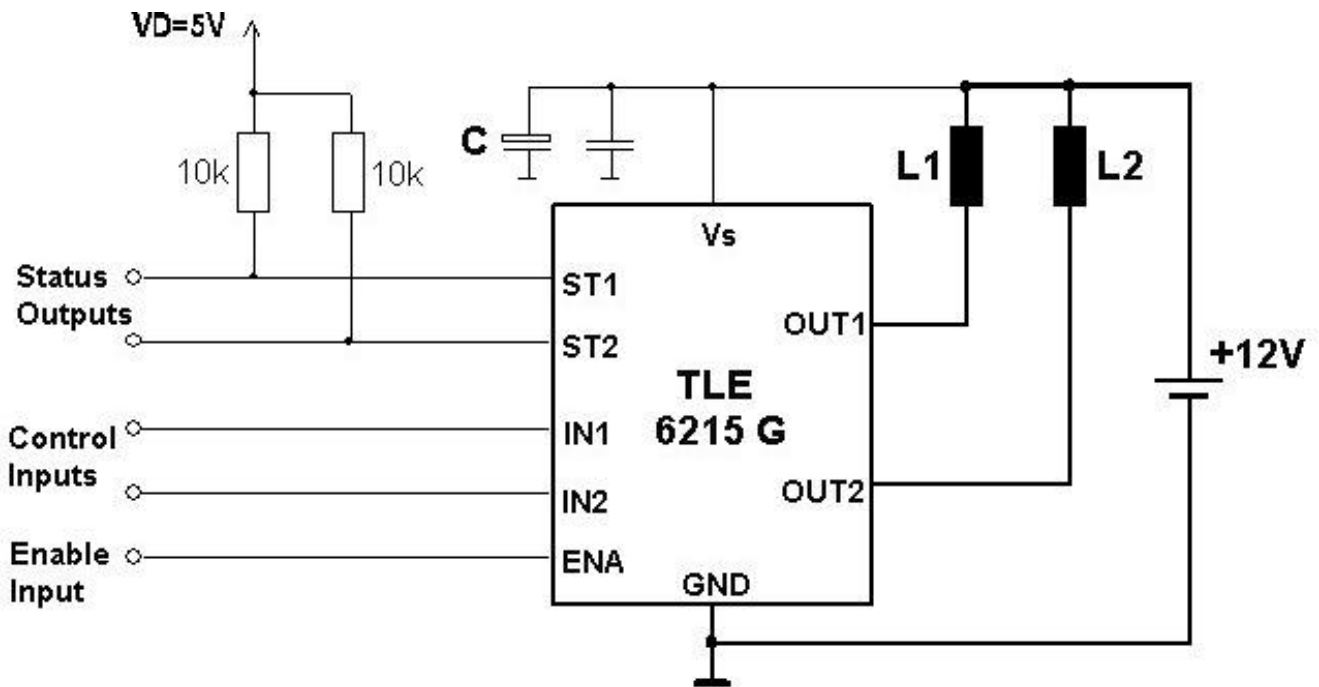
Operating Condition	Inputs			Power Outputs		Status Outputs	
	ENA	IN1	IN2	OUT1	OUT2	ST1	ST2
Normal Function	L	X	X	OFF	OFF	L	L
	H	L	L	OFF	OFF	L	L
	H	H	L	ON	OFF	H	L
	H	L	H	OFF	ON	L	H
	H	H	H	ON	ON	H	H
Thermal Overload	X	L	L	OFF	OFF	L	L
	L	X	X	OFF	OFF	L	L
	H	H	H	OFF	OFF	L	L
Open Load Channel 1	X	L		OFF		H	
	L	H	1)	OFF	1)	H	1)
	H	H		ON		L	
Open Load Channel 2	X		L		OFF		H
	L	1)	H	1)	OFF	1)	H
	H		H		ON		L
Overload Channel 1	L	X		OFF		L	
	H	L	1)	OFF	1)	L	1)
	H	H		OFF		L	
Overload Channel 2	L		X		OFF		L
	H	1)	L	1)	OFF	1)	L
	H		H		OFF		L

1) see normal function

### Test Circuit



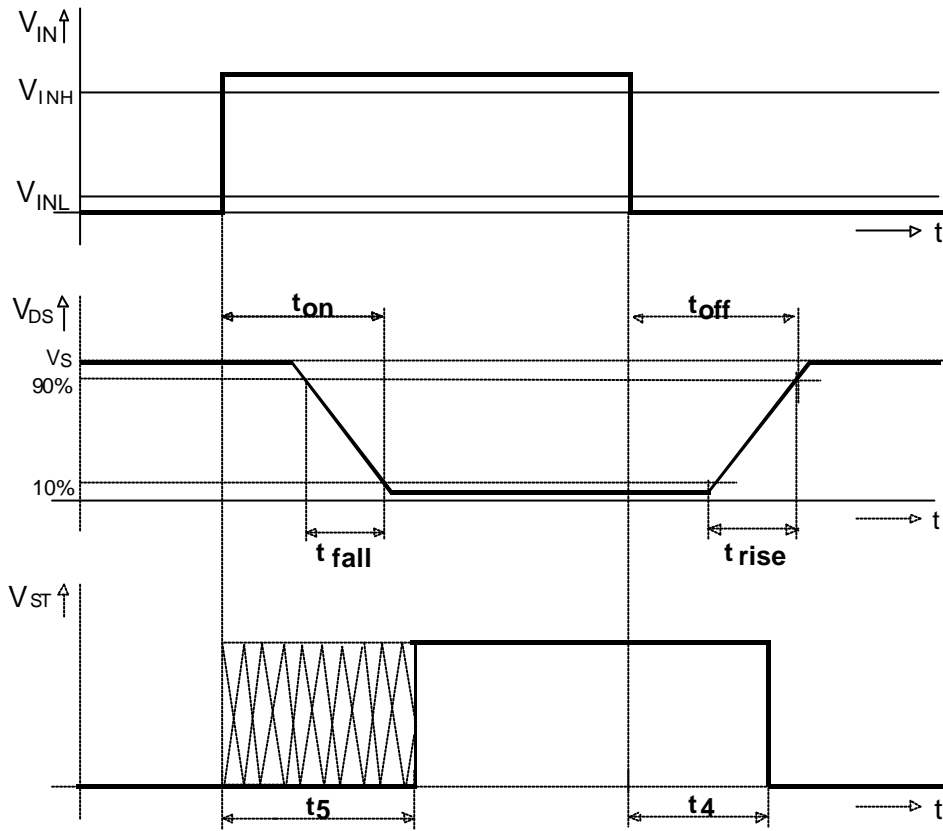
### Application Circuit



The blocking capacitor C is recommended to avoid critical negative voltage spikes on  $V_s$  in case of battery interruption during OFF-commutation.



### Timing Diagram



## Package and ordering code

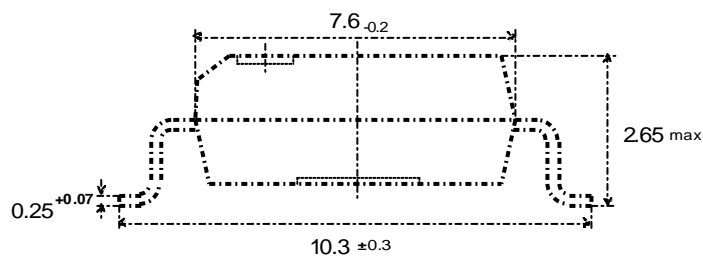
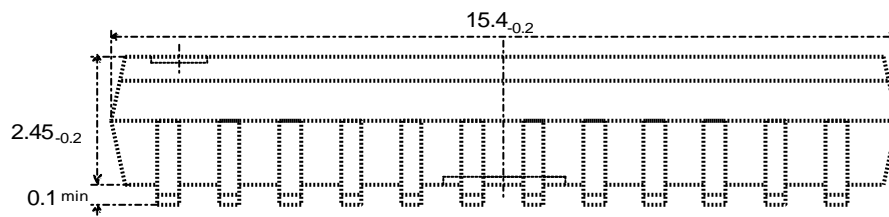
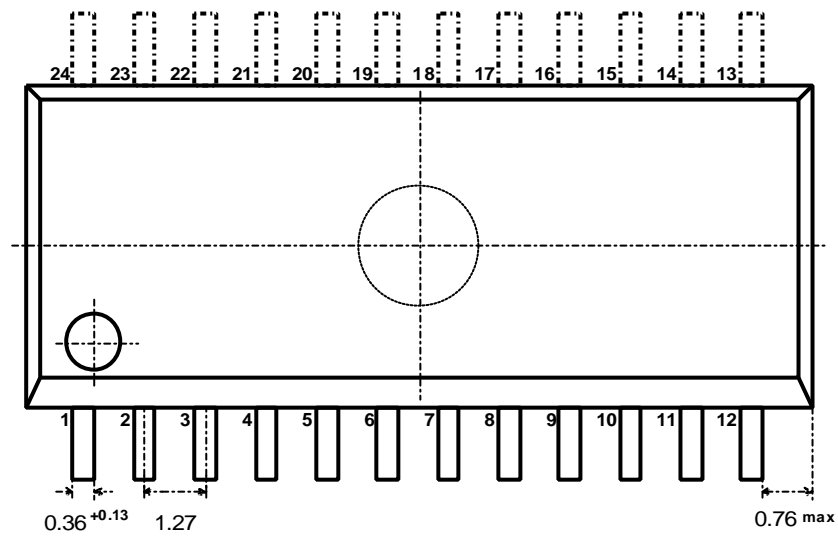
all dimensions in mm

P - DSO - 24 - L16

Ordering code

--	--

(Dual-in-line package, small-outline)  
24 B 24 DIN 41870 T17





**Published by**  
**Infineon Technologies AG,**  
**Bereichs Kommunikation**  
**St.-Martin-Strasse 76,**  
**D-81541 München**  
**© Infineon Technologies AG 1999**  
**All Rights Reserved.**

## **Attention please!**

The information herein is given to describe certain components and shall not be considered as warranted characteristics.

Terms of delivery and rights to technical change reserved.

We hereby disclaim any and all warranties, including but not limited to warranties of non-infringement, regarding circuits, descriptions and charts stated herein.

Infineon Technologies is an approved CECC manufacturer.

## **Information**

For further information on technology, delivery terms and conditions and prices please contact your nearest Infineon Technologies Office in Germany or our Infineon Technologies Representatives worldwide (see address list).

## **Warnings**

Due to technical requirements components may contain dangerous substances. For information on the types in question please contact your nearest Infineon Technologies Office.

Infineon Technologies Components may only be used in life-support devices or systems with the express written approval of Infineon Technologies, if a failure of such components can reasonably be expected to cause the failure of that life-support device or system, or to affect the safety or effectiveness of that device or system. Life support devices or systems are intended to be implanted in the human body, or to support and/or maintain and sustain and/or protect human life. If they fail, it is reasonable to assume that the health of the user or other persons may be endangered.

**Revision List:**

19.06.2001	Target Datasheet	V1
30.11.2001	First revision	V3
01.03.2002	Second revision	V4
28.04.2002	Preliminary Datasheet	V5