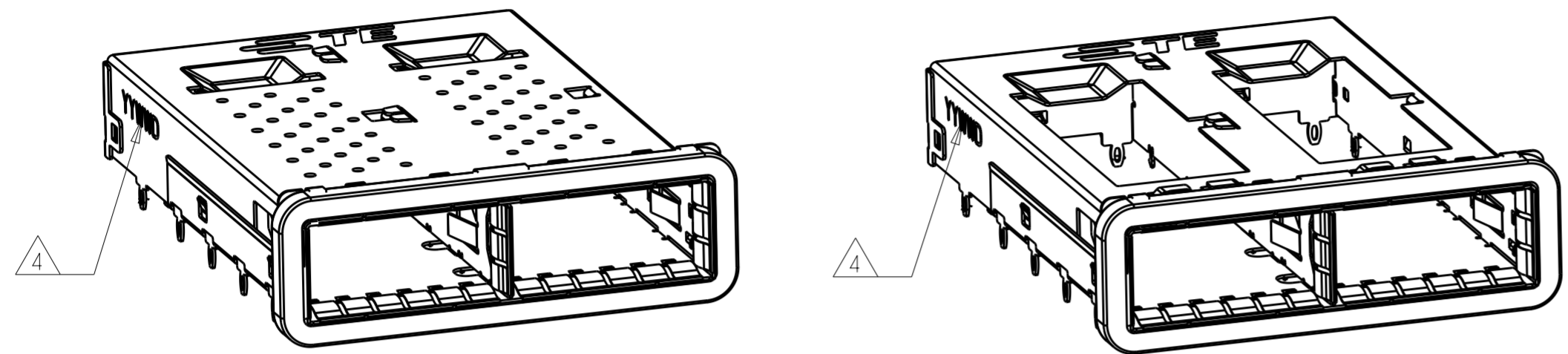
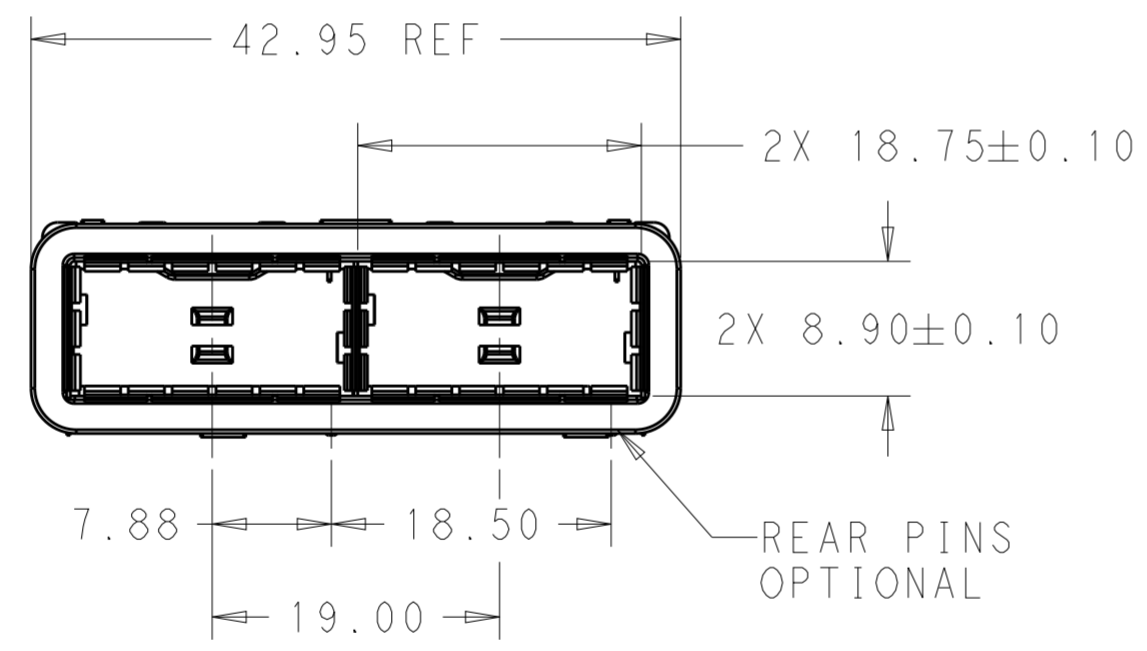


THIS DRAWING IS UNPUBLISHED. RELEASED FOR PUBLICATION 20  
 © COPYRIGHT 20 BY - ALL RIGHTS RESERVED.

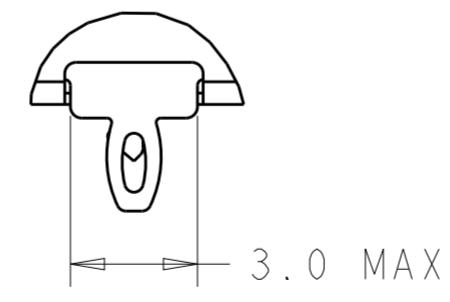
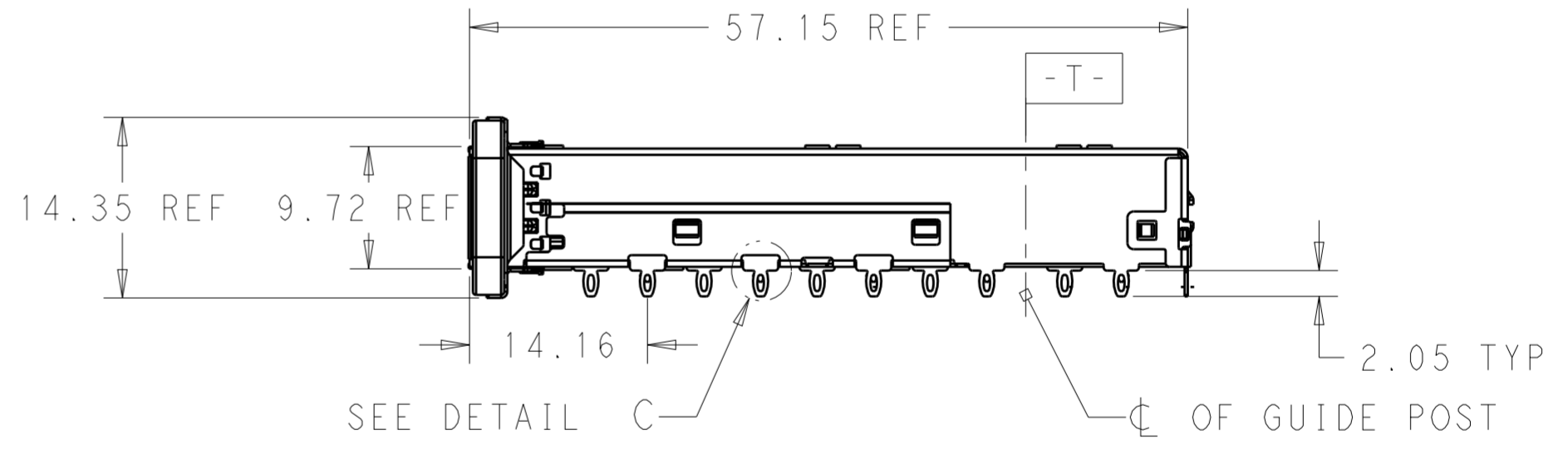
LOC	DIST	REVISIONS					
GP	00	P	LTR	DESCRIPTION	DATE	DWN	APVD
		A		RELEASE	31DEC2015	JY	SH



1. COMPONENTS  
 CAGE ASSEMBLY: NICKEL-SILVER ALLOY  
 EMI SPRING: COPPER ALLOY/NICKEL PLATE
2. REFERENCE APPLICATION SPECIFICATION 114-32023 FOR RECOMMENDED DRILL HOLE DIAMETER AND PLATING THICKNESS
3. DATUM AND BASIC DIMENSION ESTABLISHED BY CUSTOMER
4. DATE CODE (YYWWD) MARKED APPROXIMATELY AS SHOWN.
5. MATES WITH QSFP28 MSA COMPATIBLE TRANSCEIVER.
6. MINIMUM PC BOARD THICKNESS:  
 SINGLE SIDED: 1.57 MIN  
 DOUBLE SIDED: 3.00 MIN
7. DATUM -A- IS TOP SURFACE OF THE HOST BOARD.
8. THESE HOLES ARE OPTIONAL WHEN THE REAR PINS ARE REMOVED.



SCALE 2:1



DETAIL C  
SCALE 6:1

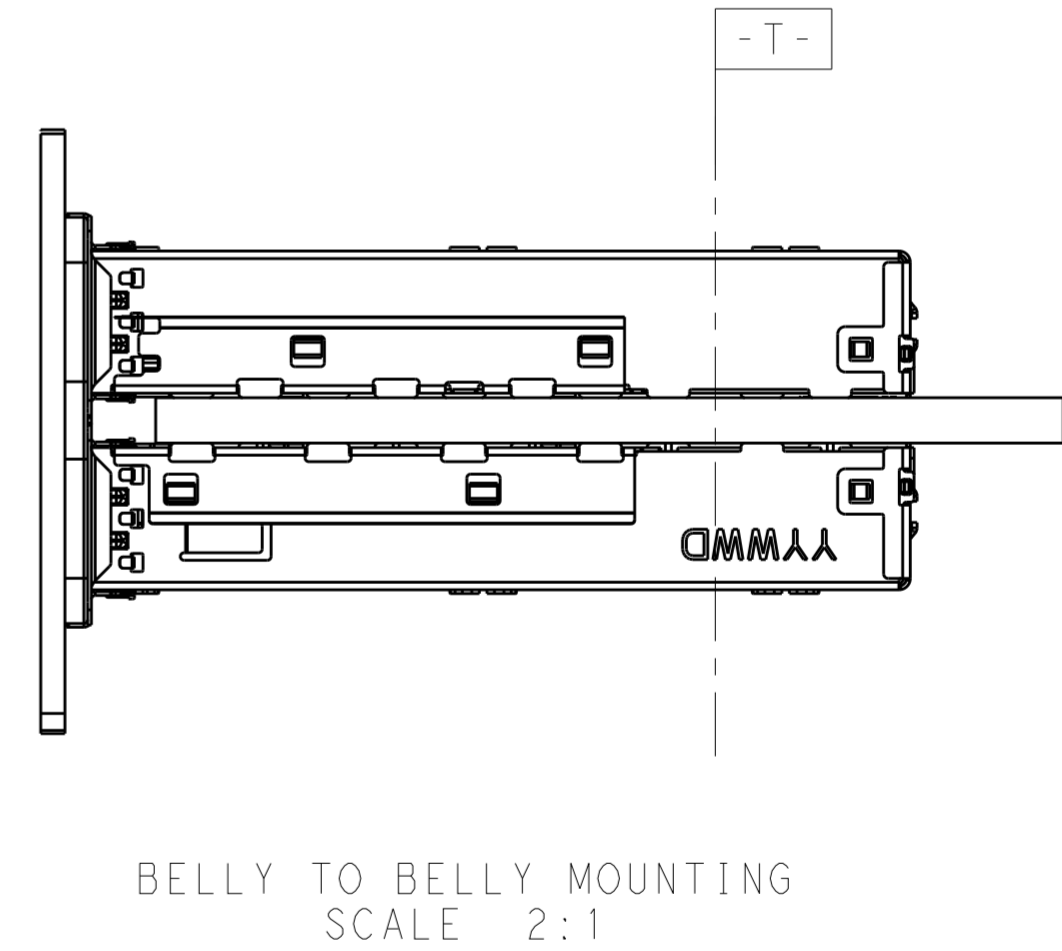
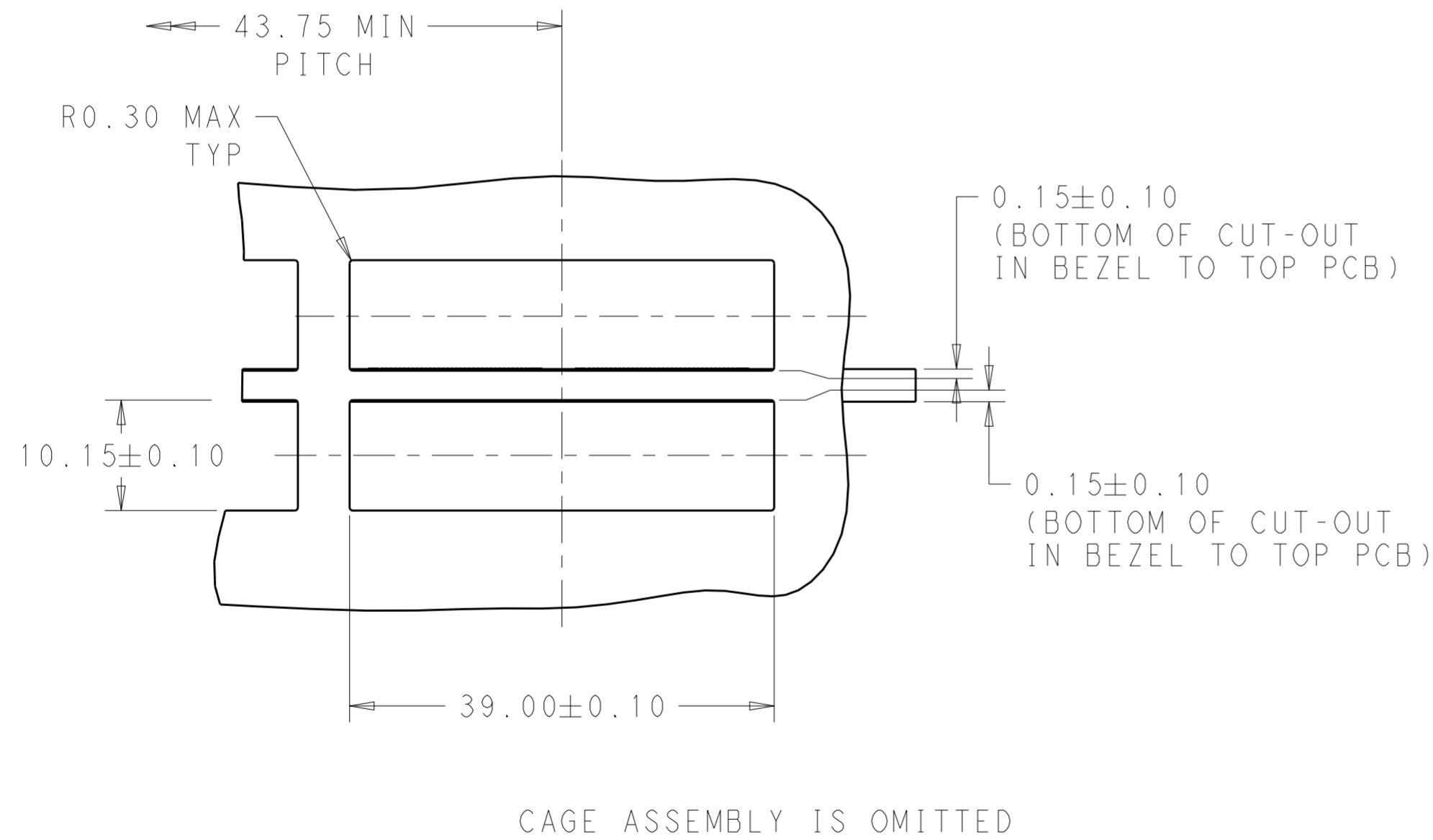
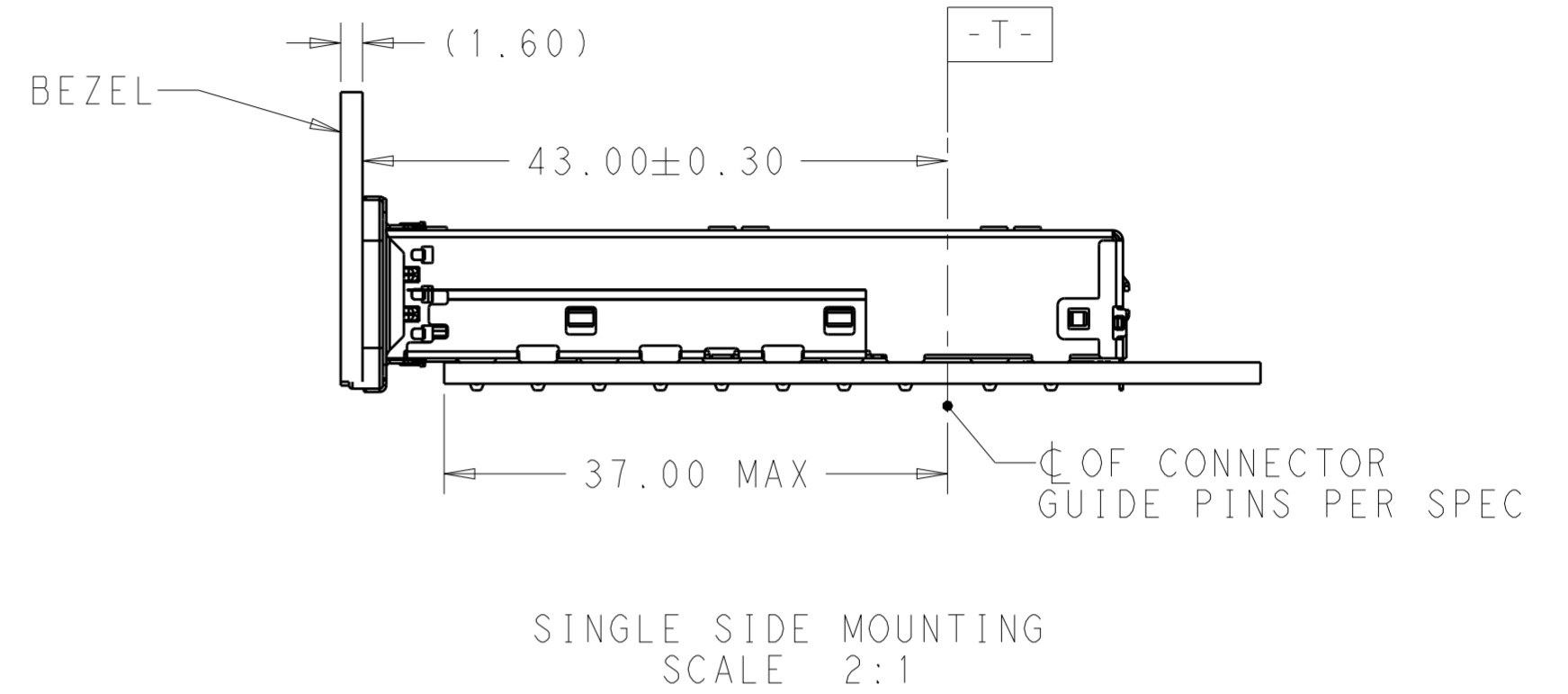
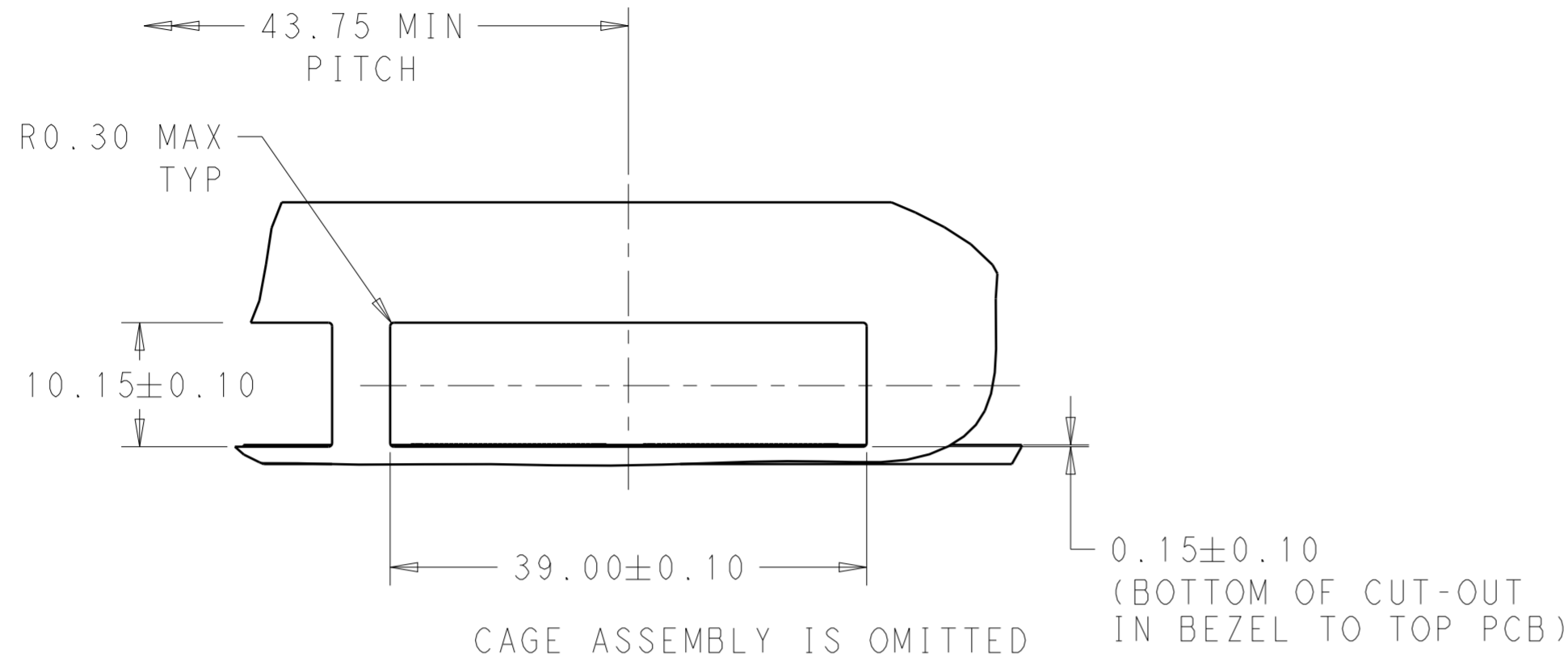
WITHOUT	WITH	2170811-5
WITHOUT	WITHOUT	2170811-4
WITH	WITH	2170811-2
WITH	WITHOUT	2170811-1
REAR PIN OPTIONAL	HEAT SINK OPEN OPTIONAL	PART NUMBER

THIS DRAWING IS A CONTROLLED DOCUMENT.

DIMENSIONS:	TOLERANCES UNLESS OTHERWISE SPECIFIED:	DWN BING LIU 15SEP2014	TE Connectivity
mm	0 PLC ±	CHK JASON YANG 15SEP2014	
	1 PLC ±0.25	APVD SEAN HAN 31DEC2015	
	2 PLC ±0.2	NAME	
	3 PLC ±	PRODUCT SPEC	RECEPTACLE CAGE ASSEMBLY THRU BEZEL, 1X2, QSFP28, GASKET
	4 PLC ±	APPLICATION SPEC	SIZE CAGE CODE DRAWING NO RESTRICTED TO
	ANGLES ±	114-32023	A200779 C-2170811
	FINISH ±	WEIGHT	SCALE 1:1 SHEET OF 5 REV A
MATERIAL	SEE NOTES	CUSTOMER DRAWING	

THIS DRAWING IS UNPUBLISHED. RELEASED FOR PUBLICATION 20  
 © COPYRIGHT 20 BY - ALL RIGHTS RESERVED.

LOC		DIST		REVISIONS			
P	LTR	DESCRIPTION	DATE	DWN	APVD		
-		SEE SHEET 1	-	-	-		

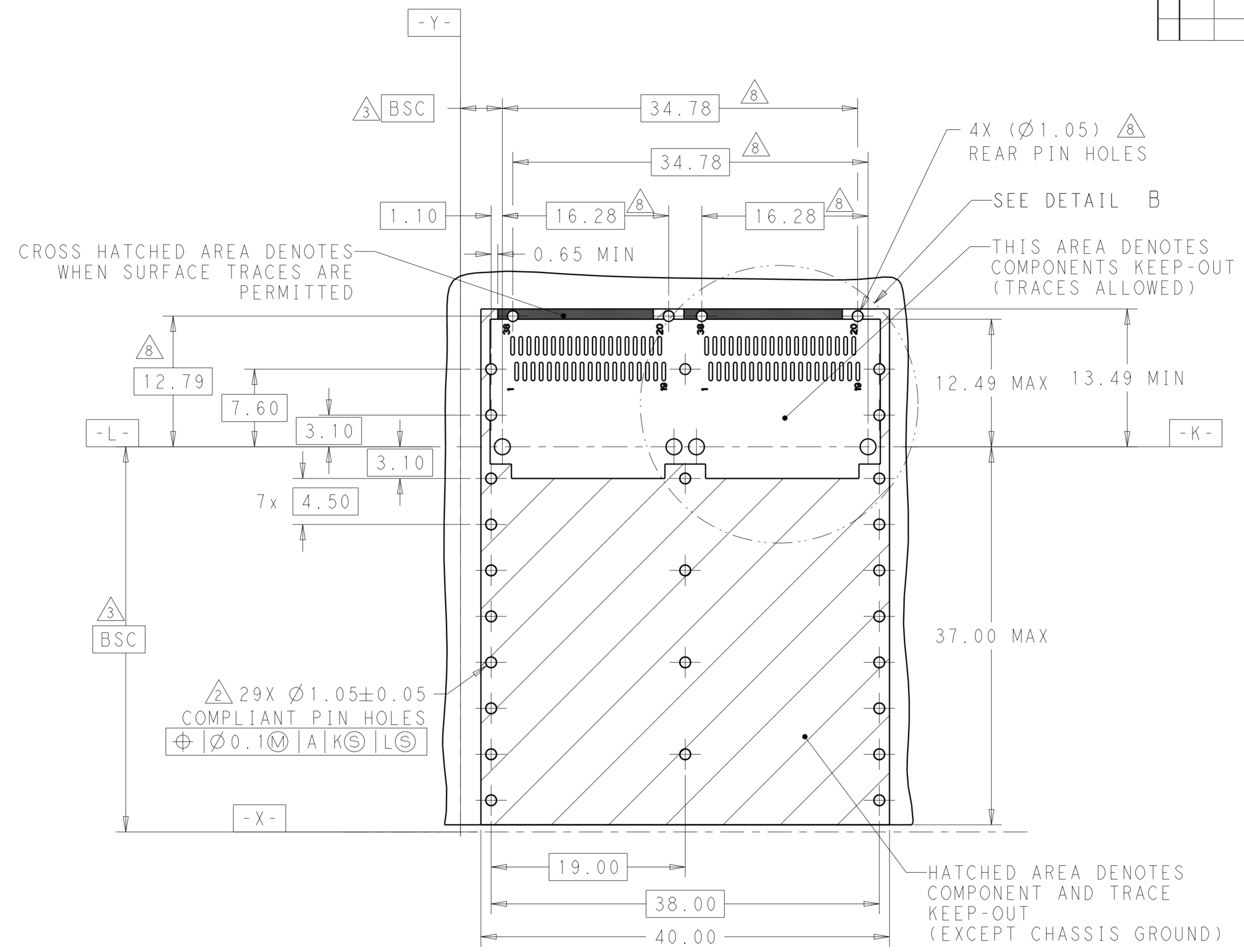


THIS DRAWING IS A CONTROLLED DOCUMENT.		DWN BING LIU 15SEP2014	<b>STE</b> TE Connectivity	
DIMENSIONS: mm		CHK JASON YANG 15SEP2014		
TOLERANCES UNLESS OTHERWISE SPECIFIED:		APVD SEAN HAN 31DEC2015	NAME RECEPTACLE CAGE ASSEMBLY THRU BEZEL, 1X2, QSFP28, GASKET	
0 PLC ±		PRODUCT SPEC 108-19428	SIZE CAGE CODE DRAWING NO RESTRICTED TO	
1 PLC ±0.25		APPLICATION SPEC 114-32023	A200779 C-2170811	
2 PLC ±0.2		WEIGHT -	SCALE 1:1 SHEET OF 5 REV A	
3 PLC ±				
4 PLC ±				
ANGLES ±				
FINISH				
MATERIAL SEE NOTES material_2		SEE NOTES finish_spec_2	Customer Drawing	




THIS DRAWING IS UNPUBLISHED. RELEASED FOR PUBLICATION 20  
 © COPYRIGHT 20 BY - ALL RIGHTS RESERVED.

LOC		DIST		REVISIONS			
P	LTR	DESCRIPTION	DATE	DWN	APVD		
-	-	SEE SHEET 1	-	-	-		

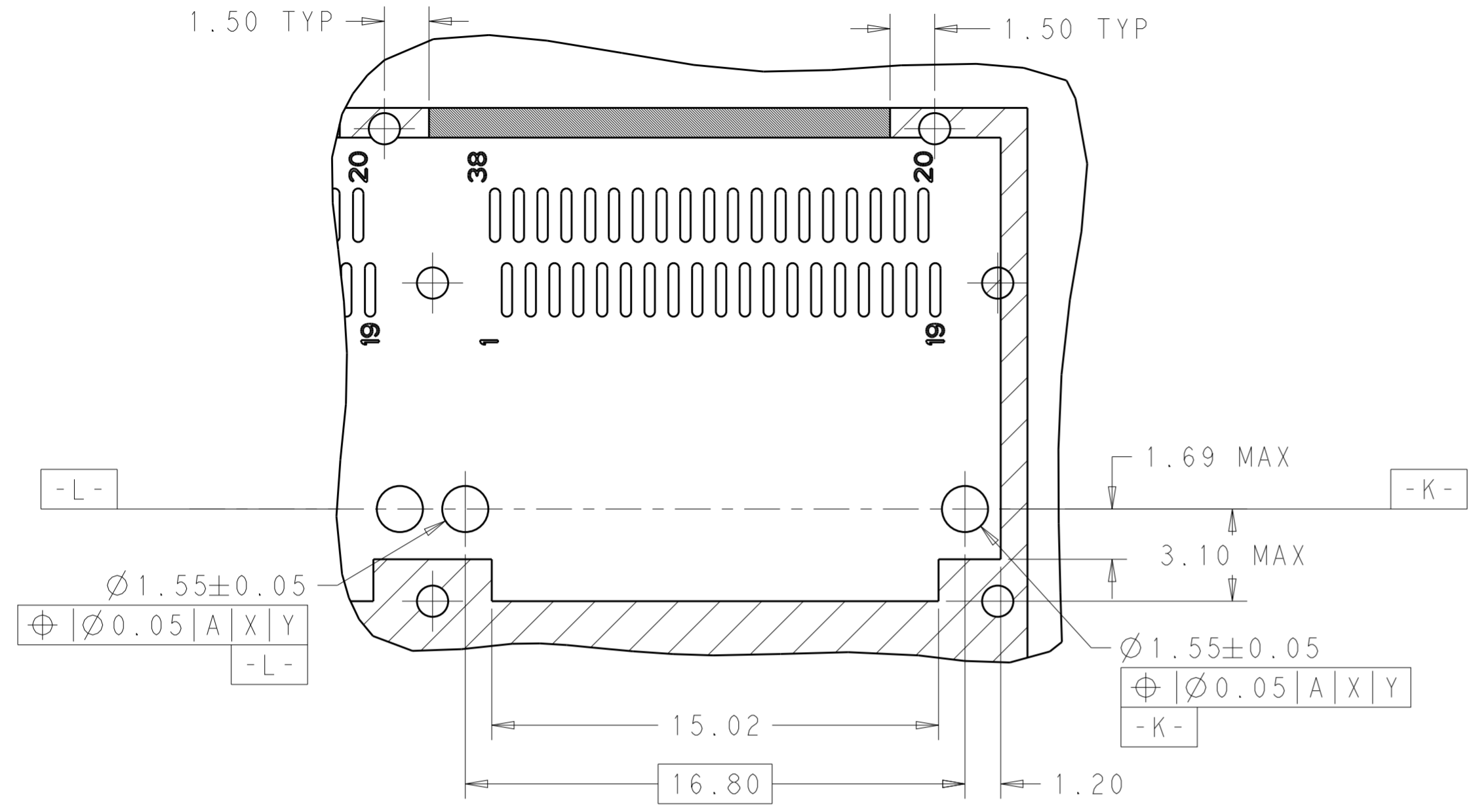


RECOMMENDED PCB LAYOUT  
 BELLY TO BELLY TYPE  
 PCB TOLERANCE: ±0.05  
 SCALE 3:1

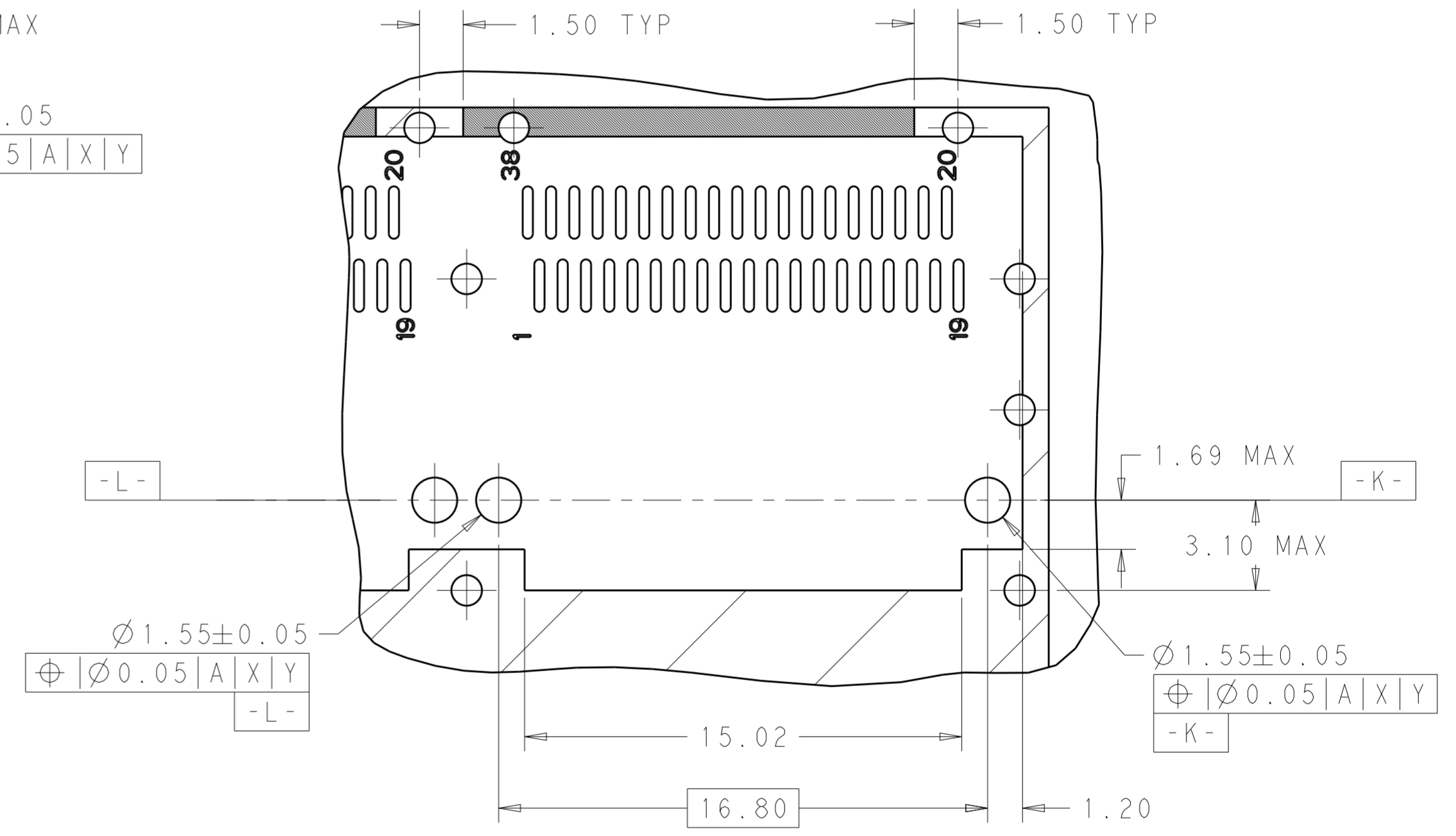
THIS DRAWING IS A CONTROLLED DOCUMENT.		DWN BING LIU 15SEP2014	 TE Connectivity	
DIMENSIONS: mm		CHK JASON YANG 15SEP2014		
TOLERANCES UNLESS OTHERWISE SPECIFIED:		APVD SEAN HAN 31DEC2015	NAME RECEPTACLE CAGE ASSEMBLY THRU BEZEL, 1X2, QSFP28, GASKET	
0 PLC ± 1 PLC ±0.25 2 PLC ±0.2 3 PLC ± 4 PLC ± ANGLES ±		PRODUCT SPEC 108-19428	SIZE A200779	CAGE CODE C-2170811
MATERIAL SEE NOTES material_2		FINISH SEE NOTES finish_spec_2	APPLICATION SPEC 114-32023	DRAWING NO C-2170811
		WEIGHT -	RESTRICTED TO -	SCALE 1:1
		Customer Drawing	SHEET 5	REV A

THIS DRAWING IS UNPUBLISHED. RELEASED FOR PUBLICATION 20  
 © COPYRIGHT 20 BY - ALL RIGHTS RESERVED.

LOC	DIST	REVISIONS			
P	LTR	DESCRIPTION	DATE	DWN	APVD
-	-	SEE SHEET 1	-	-	-



DETAIL A  
SCALE 6:1



DETAIL B  
SCALE 6:1

THIS DRAWING IS A CONTROLLED DOCUMENT.		DWN BING LIU 15SEP2014	<b>STE</b> TE Connectivity
DIMENSIONS: mm		CHK JASON YANG 15SEP2014	
TOLERANCES UNLESS OTHERWISE SPECIFIED:		APVD SEAN HAN 31DEC2015	NAME RECEPTACLE CAGE ASSEMBLY THRU BEZEL, 1X2, QSFP28, GASKET
0 PLC ±	1 PLC ±0.25	PRODUCT SPEC 108-19428	SIZE A200779
2 PLC ±0.2	3 PLC ±	APPLICATION SPEC 114-32023	CAGE CODE C-2170811
4 PLC ±	ANGLES ±	WEIGHT -	DRAWING NO -
MATERIAL SEE NOTES material_2	FINISH SEE NOTES finish_spec_2	Customer Drawing	RESTRICTED TO -
SCALE 1:1			SHEET OF 5 REV A