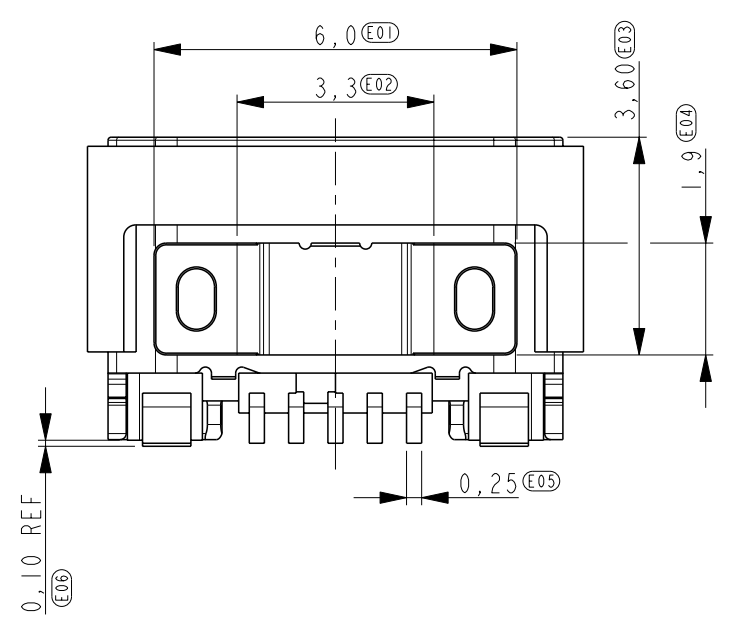
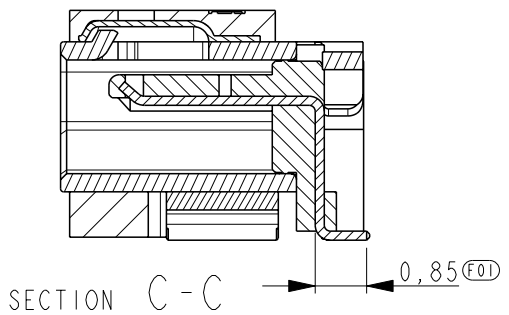
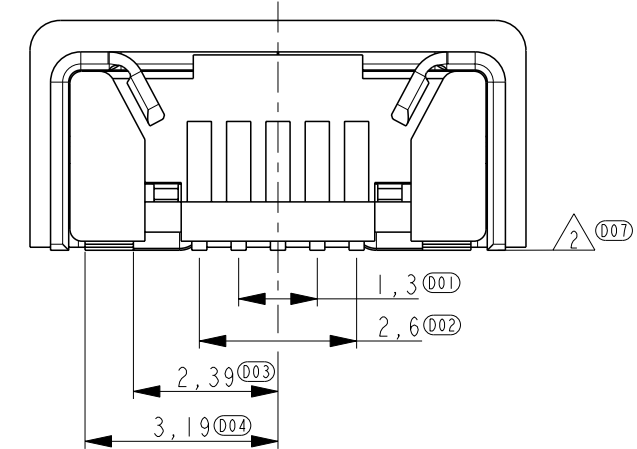
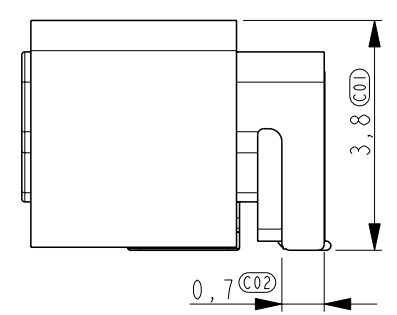
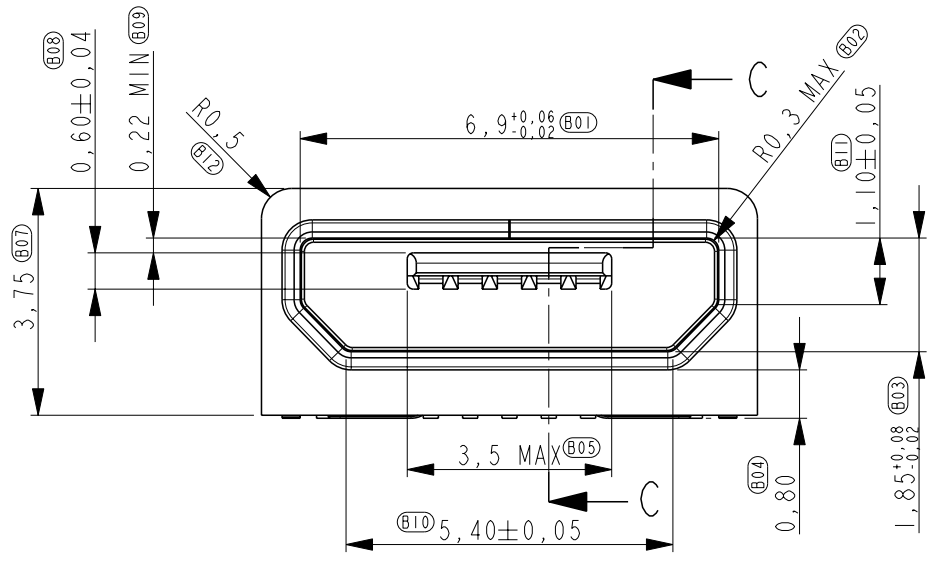
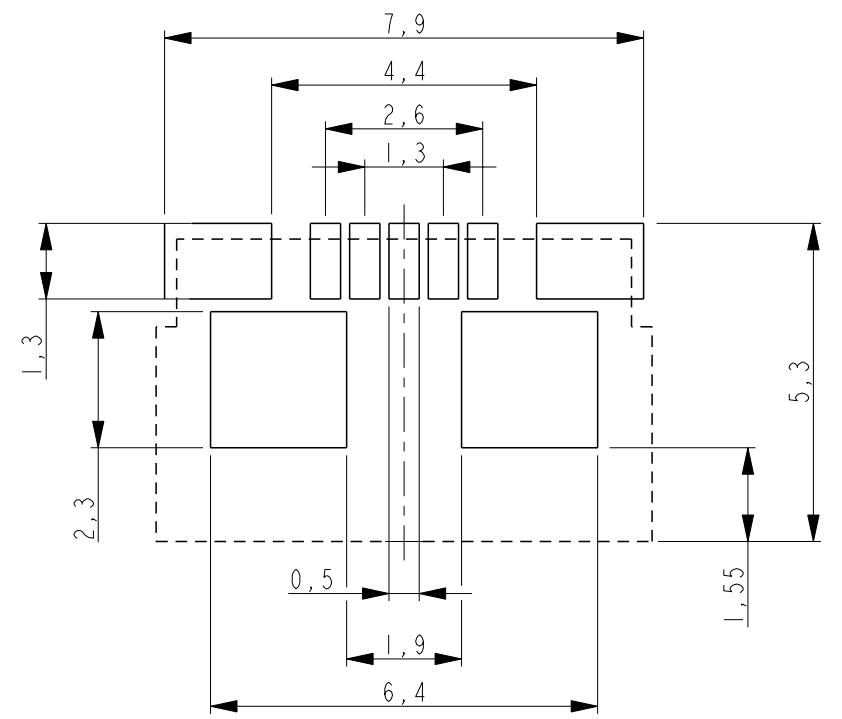
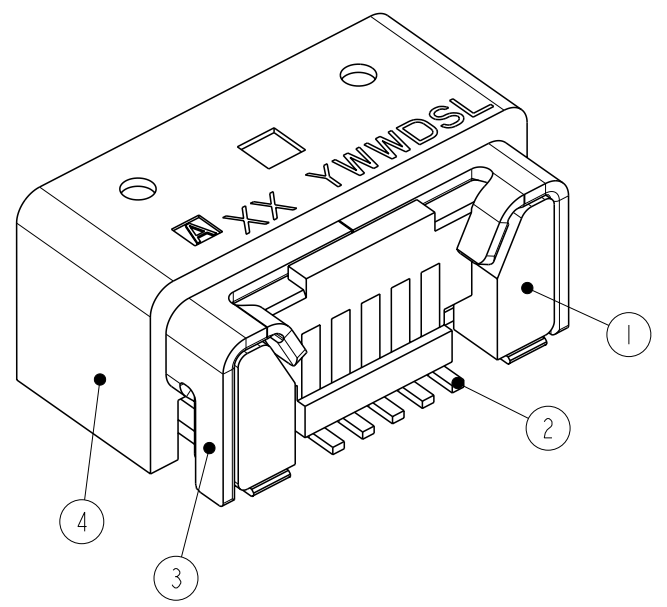
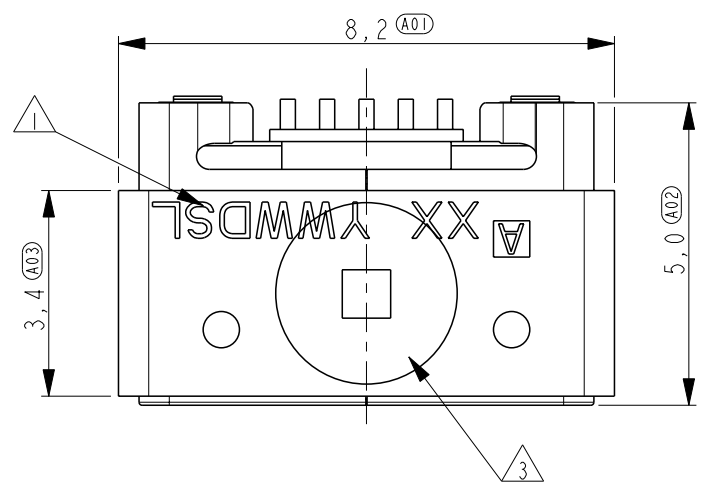


THIS DRAWING IS UNPUBLISHED. RELEASED FOR PUBLICATION 20
 © COPYRIGHT 20 ALL RIGHTS RESERVED.

LOC		DIST		REVISIONS			
P	LTR	DESCRIPTION	DATE	DWN	APVD		
-	-	-	-	-	-		
	A	ECR-13-009111	04JUN2013	WJ	DH		
	AI	ECR-13-013822	02SEP2013	JvH	DH		



NOTES:

- △ VERSION: XX, PRODUCTION DATE: YWWD, SHIFT CODE: S, PRODUCTION LINE NO: L.
- ② COPLANARITY OF 11 SOLDER SURFACES 0,08 MAX.
- ③ PICK AND PLACE AREA Ø3

TE PN: 2173157-2

TE PN FOR LOW MOQ: 2173157-3

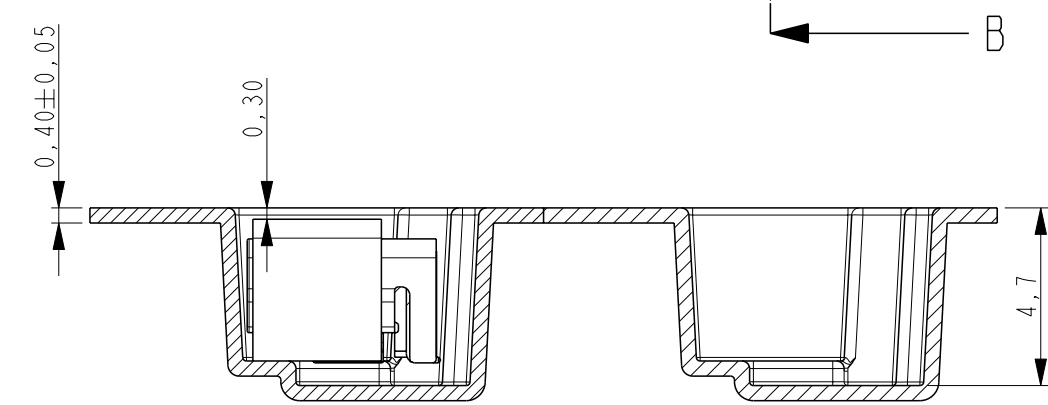
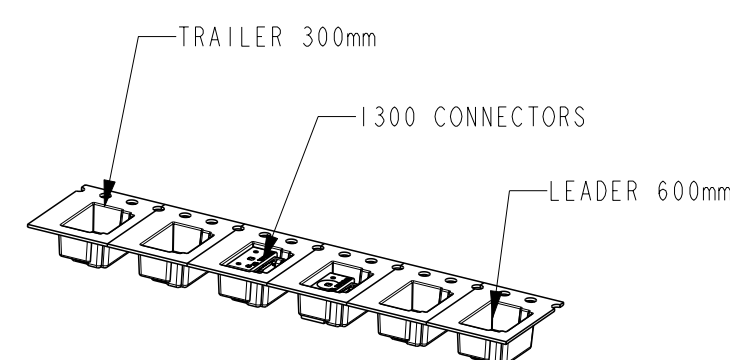
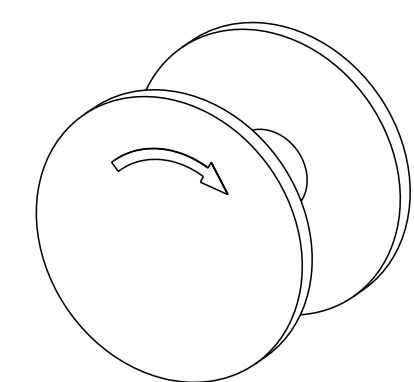
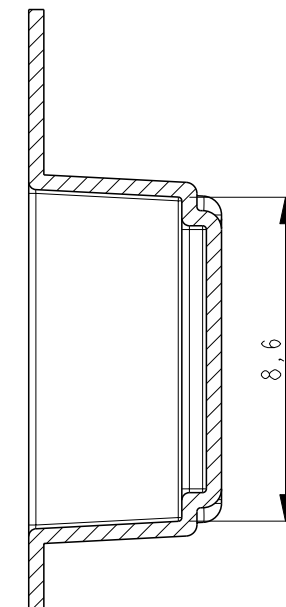
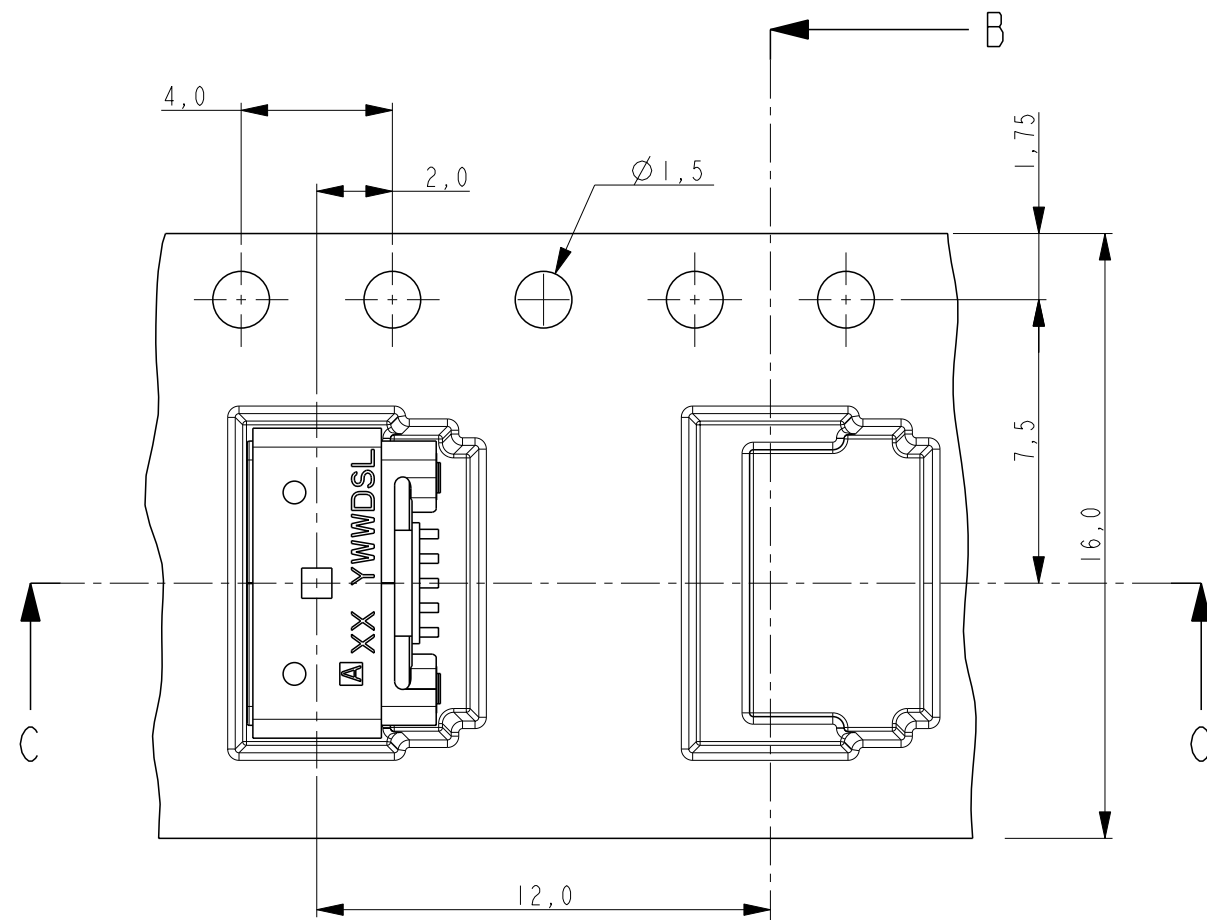
THIS DRAWING IS A CONTROLLED DOCUMENT.

DIMENSIONS:	TOLERANCES UNLESS OTHERWISE SPECIFIED:
mm	
	0 PLC ±0,2
	1 PLC ±0,1
	2 PLC ±0,1
	3 PLC ±0,025
	4 PLC ±0,001
	ANGLES ±2°
MATERIAL	FINISH


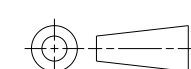
ITEM NO.	DESCRIPTION	MATERIAL	FINISH
4	SLEEVE	LCP	
3	SHELL	STAINLESS STEEL	Tin over Nickel plating
2	CONTACT	COPPER ALLOY	Gold over Nickel plating
1	HOUSING	LCP	

DWN	17MAY2011	 TE Connectivity	NAME SPLASH-PROOF MICRO USB B-TYPE 0,8 mm OFFSET		
CHK	17MAY2011				
APVD	17MAY2011				
PRODUCT SPEC	108-19460				
APPLICATION SPEC	-	SIZE	CAGE CODE	DRAWING NO	RESTRICTED TO
WEIGHT	0,33	A3	00779	C-2173157	-
Customer Drawing		SCALE	SHEET	OF	REV
		8:1	1	3	AI

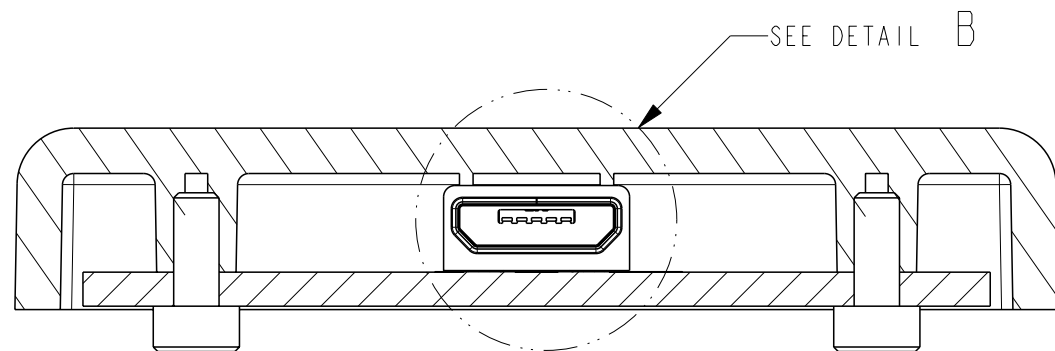
LOC		DIST		REVISIONS			
P	LTR	DESCRIPTION	DATE	DWN	APVD		
-	-	SEE SHEET 1	-	-	-		



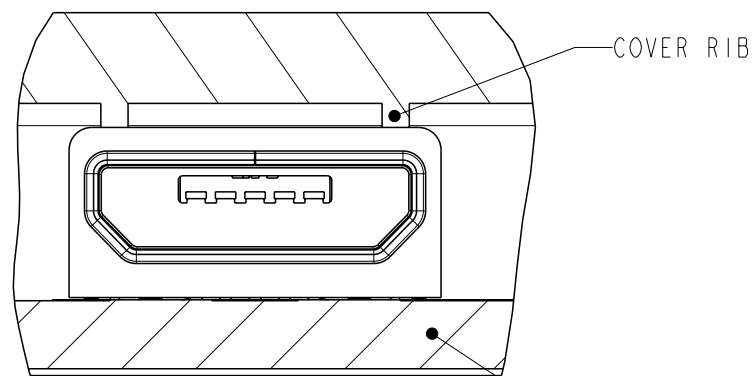
NOTES:
COVER, EMBOSS TAPE AND REEL ACCODING EIA STANDARD 481-D

THIS DRAWING IS A CONTROLLED DOCUMENT.		DWN W. Jansen 17MAY2011	 TE Connectivity		
DIMENSIONS: mm		CHK W. Jansen 17MAY2011			
TOLERANCES UNLESS OTHERWISE SPECIFIED:		APVD D. Halberstadt 17MAY2011	NAME SPLASH-PROOF MICRO USB B-TYPE 0,8 mm OFFSET		
		PRODUCT SPEC 108-19460	RESTRICTED TO		
MATERIAL		APPLICATION SPEC -	SIZE A3	CAGE CODE 00779	DRAWING NO C-2173157
FINISH		WEIGHT 0,33	SCALE 8:1	SHEET 2	OF 3
		Customer Drawing	REV A1		

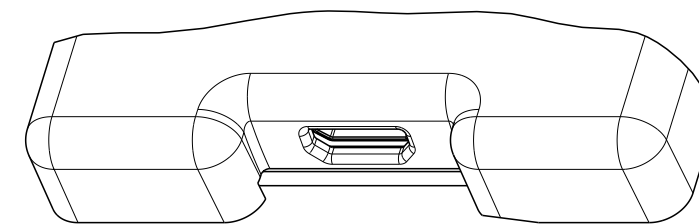
P	LTR	DESCRIPTION	DATE	DWN	APVD
-	-	SEE SHEET 1	-	-	-



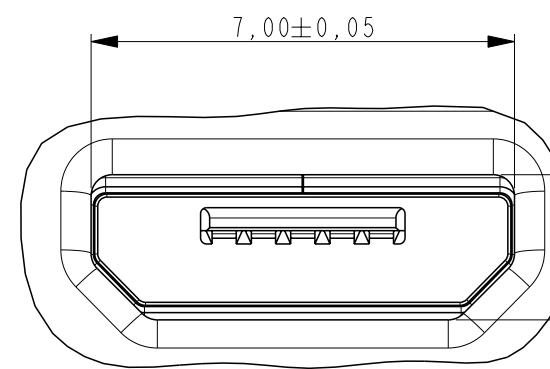
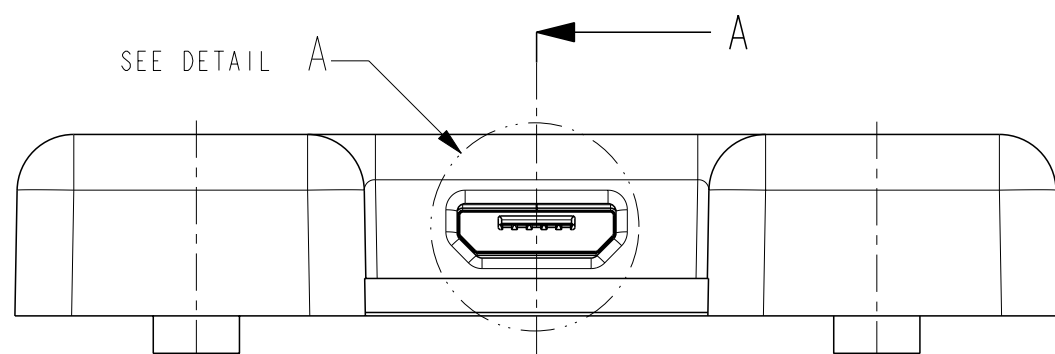
SECTION D-D



DETAIL B
SCALE 6:1

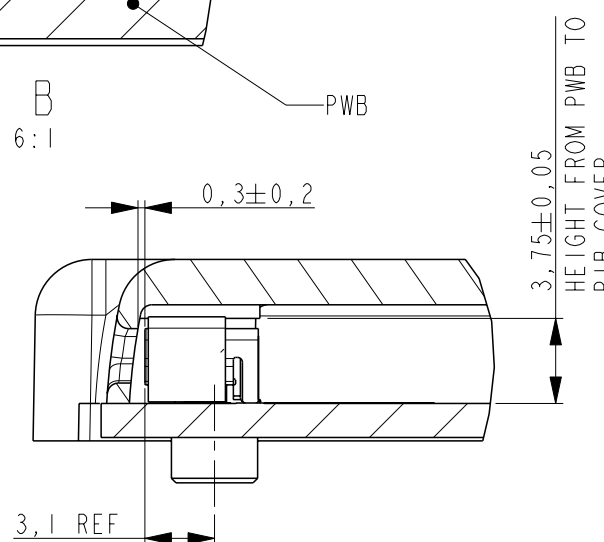


SCALE 2:1



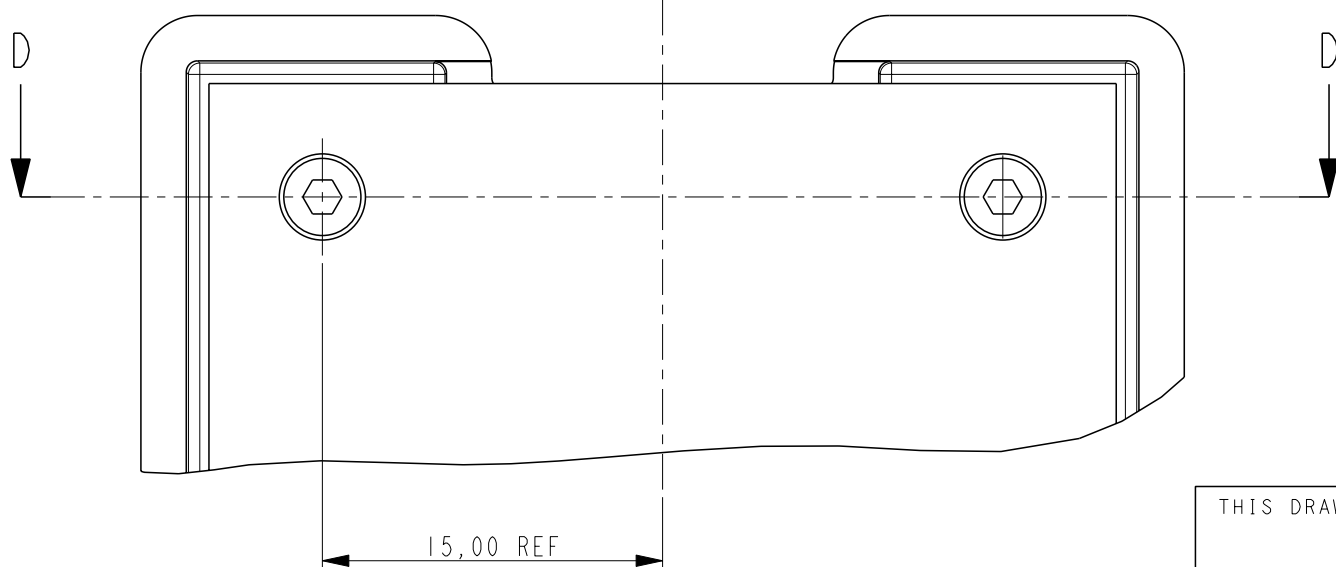
RECOMMENDED COVER HOLE SHAPE (REF)

DETAIL A
SCALE 8:1



SECTION A-A

RECOMMENDED PWB AND COVER ASSEMBLY (REF)



15,00 REF

THIS DRAWING IS A CONTROLLED DOCUMENT.

DIMENSIONS: mm	TOLERANCES UNLESS OTHERWISE SPECIFIED:
	0 PLC ±0,2
	1 PLC ±0,1
	2 PLC ±0,1
	3 PLC ±0,025
	4 PLC ±0,001
	ANGLES ±2°
MATERIAL -	FINISH -

DWN	W. Jansen	17MAY2011
CHK	W. Jansen	17MAY2011
APVD	D. Halberstadt	17MAY2011
PRODUCT SPEC	108-19460	
APPLICATION SPEC	-	
WEIGHT	0,33	
Customer Drawing		



NAME				SPLASH-PROOF MICRO USB B-TYPE 0,8 mm OFFSET	
SIZE	CAGE CODE	DRAWING NO	RESTRICTED TO		
A3	00779	C-2173157	-		
SCALE 8:1		SHEET 3 OF 3		REV A1	