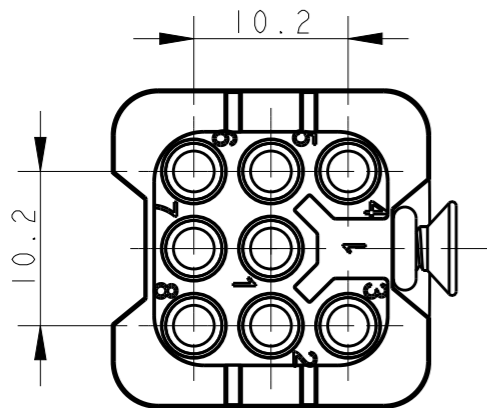


THIS DRAWING IS UNPUBLISHED. RELEASED FOR PUBLICATION 20
 © COPYRIGHT 20 BY - ALL RIGHTS RESERVED.

REVISIONS

P	LTR	DESCRIPTION	DATE	DWN	APVD
	A	INITIAL RELEASE	16DEC2014	HMR	CW
	B	ECR-15-013292	16SEP2015	DL	CW
	B1	ECR-16-009730	06JUL2016	BS	CW



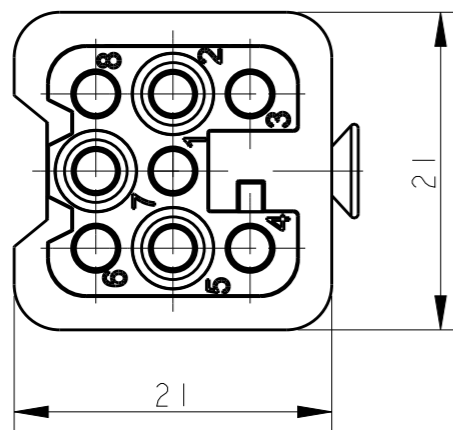
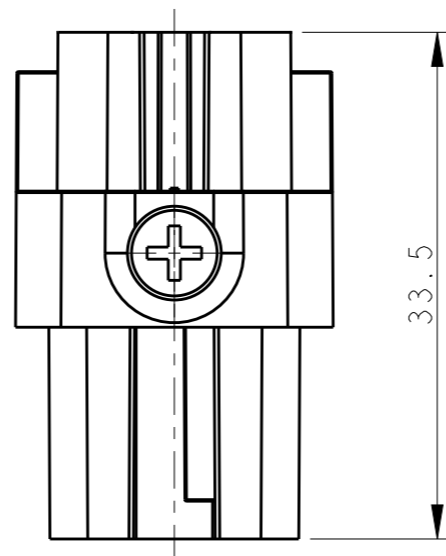
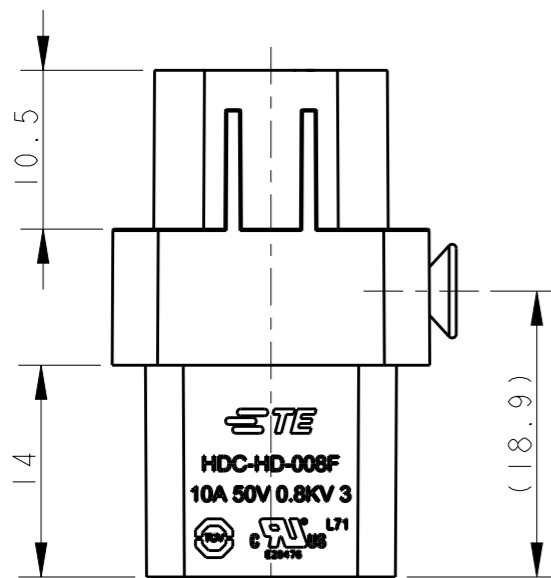
M3 SCREW
 RECOMMENDED TIGHTENING
 TORQUE 0.5Nm

NOTES:


- TECHNICAL CHARACTERISTICS:
 INSULATION MATERIAL: PBT
 RATED VOLTAGE: 50 V
 RATED CURRENT: 10 A
 INSULATION RESISTANCE: $\geq 400M\Omega$
 RATED IMPULSE VOLTAGE: 0.8 KV
 POLLUTION DEGREE: 3
 FLAMMABILITY: UL94V-0
 MATING CYCLES: 500 CYCLES
 WIRE RANGE: 0.14-2.5 mm² (26-14 AWG)
 CONTACT TYPE: CRIMP CONTACT
- CONTACT NEED TO BE ORDERED SEPARATELY.
 (ORDER No. REFER TO DRAWING: T20200X20XX000)

注释:

- 技术参数:
 绝缘材料: PBT
 额定电压: 50V
 额定电流: 10A
 绝缘电阻: $\geq 400M\Omega$
 额定脉冲电压: 0.8 KV
 污染等级: 3
 阻燃等级: UL94V-0
 插拔次数: 500次
 接线范围: 0.14-2.5 mm² (26-14 AWG)
 接线类型: 冷压接
- 端子需要单独订购.
 (订货号参考图面: T20200X20XX000)



T2020082201-001	HD-008-F HD-008母插(不锈钢螺丝)
T2020082201-000	HD-008-F HD-008母插
PART NUMBER 料号	DESCRIPTION 描述

THIS DRAWING IS A CONTROLLED DOCUMENT.		DWN 16DEC2014 RAGHAVENDRA H M	 TE Connectivity	
DIMENSIONS: mm		CHK 16DEC2014 CHRIS WANG		
TOLERANCES UNLESS OTHERWISE SPECIFIED:		APVD 16DEC2014 XU XIANG	NAME HD-008-F	
0 PLC ±-		PRODUCT SPEC	108-137042	
1 PLC ±-		APPLICATION SPEC	114-137042	
2 PLC ±-		WEIGHT	-	
3 PLC ±-		CUSTOMER DRAWING	SCALE 2:1	
4 PLC ±-		FINISH	SHEET 1 OF 1	
ANGLES ±-			REV B1	
MATERIAL -			RESTRICTED TO -	
-			SIZE A3 CAGE CODE - DRAWING NO. T2020082201000	