

PROJECT NO. SD-49228-001

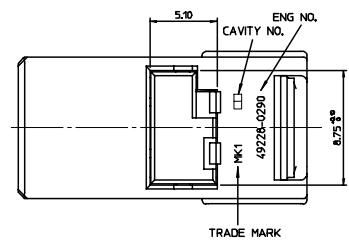
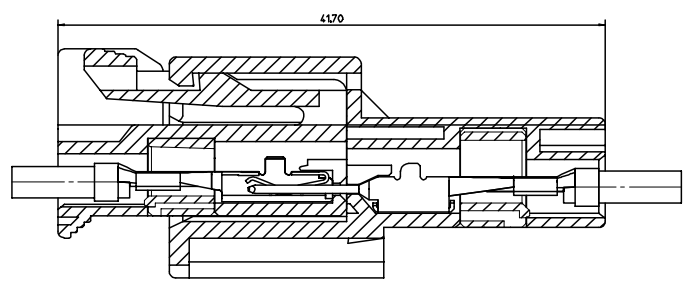
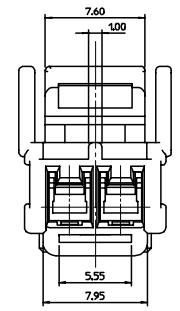
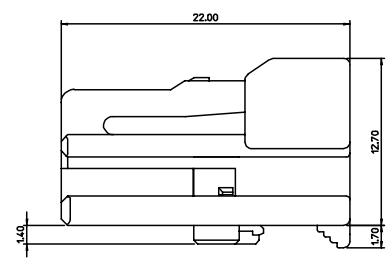
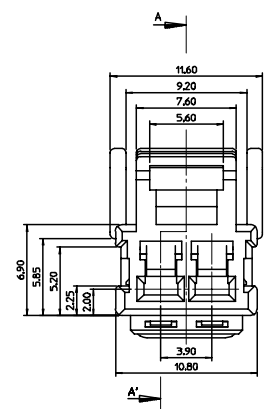
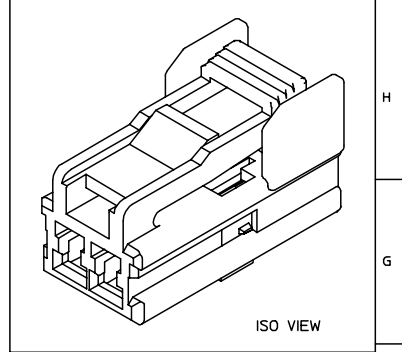
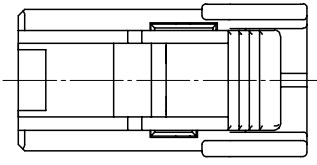
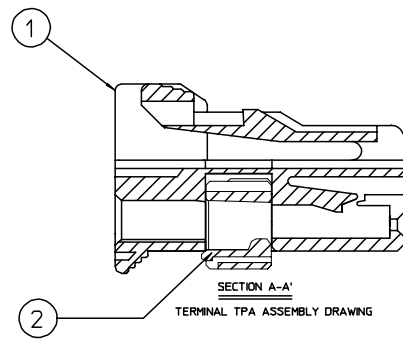
F

D

C

B

DO NOT SCALE DRAWING  
DIMENSION IN METRIC



<NOTE>

1. MATERIAL : POLYESTER(PBT) UL 94HB
2. APPLICABLE TERMINAL : 49702-6702 (AVS,CAVS 0.3~0.5)  
49702-6802 (AVS,CAVS 0.85~1.25)  
49702-6902 (AVSS,CAVS 2.0)
3. APPLICABLE MALE HOUSING ASS'Y 2P : 49229-0210

NO.	PART NO.	PART NAME	REMARK
1	49228-0290	.090 F/HSG 2P	NATURAL
2	49228-0283	.090 F/TPA 2P	YELLOW
3	49228-0210	.090 F/HSG ASS'Y 2P	-

NEW PRODUCT RELEASE ECN NO. KOR2006-0099 DRWNS.Y.PARK 05/17/28 CHRG.S.M.KIM 05/17/28 APPS.ELEC.DON 05/17/28	QUALITY SYMBOLS	GENERAL TOLERANCES: (UNLESS SPECIFIED)	SCALE 4:1	DESIGN UNITS <input checked="" type="checkbox"/> MM <input type="checkbox"/> INCH	THIRD ANGLE PROJECTION	DIMENSIONS <input type="checkbox"/> INCH <input type="checkbox"/> MM <input type="checkbox"/> ONLY	SHT REVISE ON CAD ONLY
	MAJOR	4 PLACES ±0.15 ±	DRAWN BY & DATE S.Y.PARK 05/02/23	TITLE 090 FEMALE HOUSING 2P			
	CRITICAL	3 PLACES ±0.15 ±	CHECKED BY & DATE S.M.KIM 05/02/23	APPROVED BY & DATE B.C.YOON 05/02/23			
	REVISION	2 PLACES ±0.20 ±	CAD FILENAME SD49228M		MATERIAL NO. SEE TABLE	DRAWING NO. SD-49228-001	SHEET NO. 1 OF 1
REV	1 PLACE ±0.20 ±	ANGULAR ± 1°	DRAFT WHERE APPLICABLE MUST REMAIN WITHIN DIMENSIONS		THIS DRAWING CONTAINS INFORMATION THAT IS PROPRIETARY TO MOLEX INCORPORATED AND SHOULD NOT BE USED WITHOUT WRITTEN PERMISSION.		SIZE C

KOREA MX-A2