

4

3

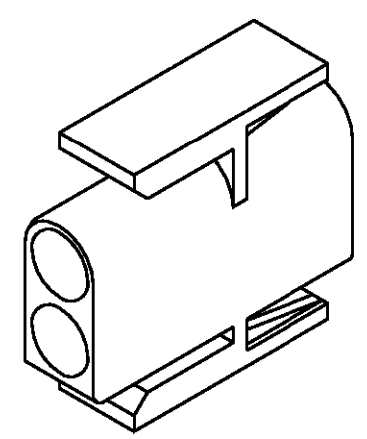
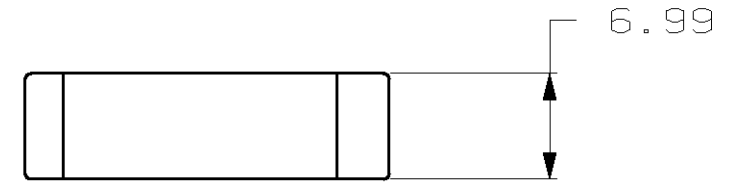
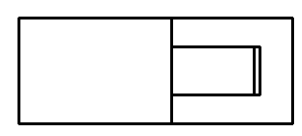
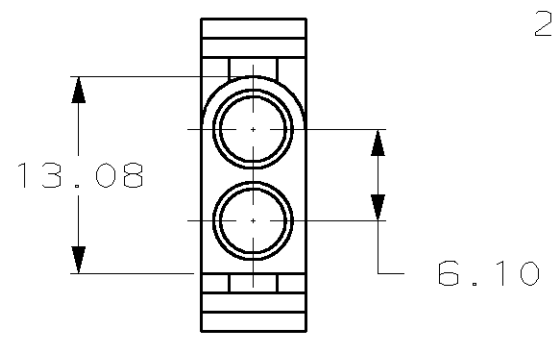
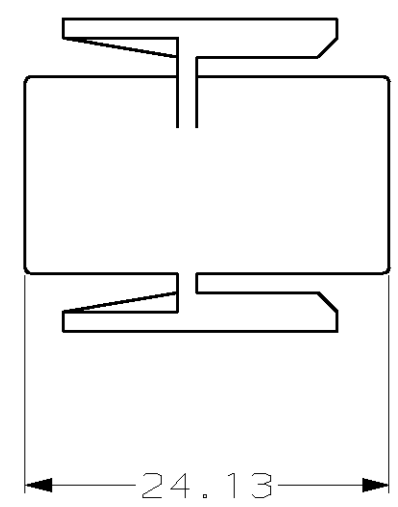
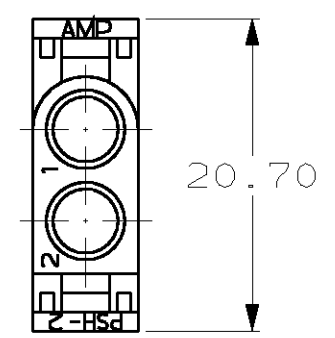
2

1

THIS DRAWING IS UNPUBLISHED. RELEASED FOR PUBLICATION, 19 .
© COPYRIGHT 19 BY AMP INCORPORATED. ALL RIGHTS RESERVED.

LOC	DIST	REVISIONS					
		P	LTR	DESCRIPTION	DATE	DWN	APVD
CM	53		0	RELEASED PER PR CM 99-52	24-AUG-99	KW	js

1. HOUSING HAS A UL ELECTRICAL TEMPERATURE INDEX OF 150° C.
2. TO BE USED WITH APPROPRIATE .140 MATE-N-LOK™ SOCKETS.



3-DIMENSIONAL MODEL NTS

794699-1
PART NUMBER

24.13	.950
20.70	.815
13.08	.515
6.99	.275
6.10	.240
3.56	.140
0.13	.005
MM	IN
CONVERSION TABLE	

METRIC

THIS DRAWING IS A CONTROLLED DOCUMENT.		DWN K. WHITAKER 24-AUG-1999	AMP AMP Incorporated Harrisburg, PA 17105-3608	
DIMENSIONS: MM		CHK J. SCHLUNZ 24-AUG-1999		
TOLERANCES UNLESS OTHERWISE SPECIFIED:		APVD J. SCHLUNZ 24-AUG-1999	NAME PLUG, 2 CIRCUIT, .140 MATE-N-LOK™	
0 PLC ±-		PRODUCT SPEC	SIZE A3	
1 PLC ±-		APPLICATION SPEC	CAGE CODE 00779	DRAWING NO C- 794699
2 PLC ±0.13		WEIGHT	RESTRICTED TO	
3 PLC ±-		CUSTOMER DRAWING	SCALE 2:1	SHEET 1 OF 1
4 PLC ±-			REV 0	
ANGLES ±0°30'				
FINISH -				
MATERIAL NYLON, UL 94V-2, BLACK				