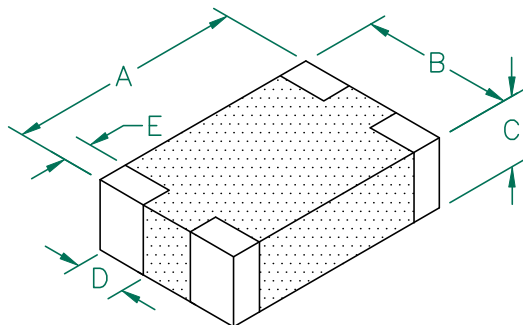


# CM1812X330R-00

UNCONTROLLED DOCUMENT

## PHYSICAL DIMENSIONS:

A	4.57 [.180]	$\pm$ 0.25 [.010]
B	3.05 [.120]	$\pm$ 0.25 [.010]
C	1.60 [.063]	$\pm$ 0.25 [.010]
D	1.14 [.045]	$\pm$ 0.13 [.005]
E	0.58 [.023]	$\pm$ 0.18 [.007]



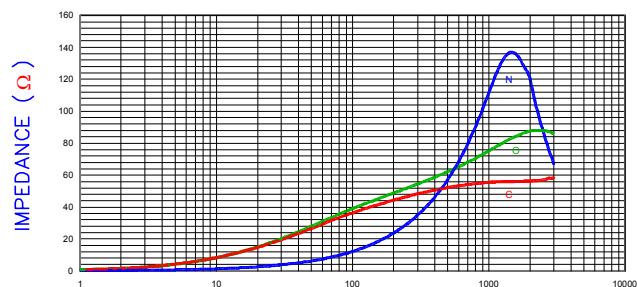
## COMMON MODE ELECTRICAL CHARACTERISTICS:

	COMMON MODE Z @ 100 MHz (Ω)	COMMON MODE Z @ 500 MHz (Ω)	DCR (Ω)	CONTINUOUS Rated Current
Nominal (Ref)	33	Nominal (Ref) 50		
Minimum	25	-		
Maximum	41	-	0.003	10,000 mA

NOTES: UNLESS OTHERWISE SPECIFIED

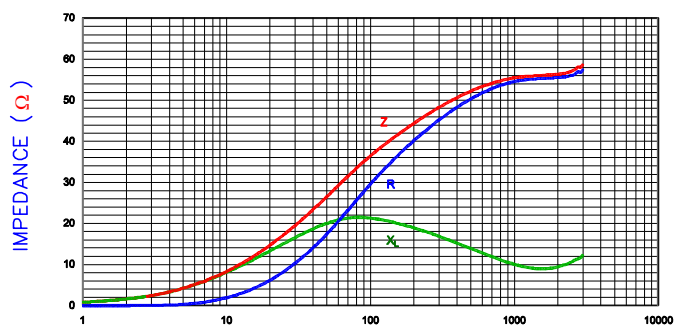
1. TAPED AND REELED per CURRENT EIA SPECIFICATIONS 13" REELS, 2500 PCS/REEL.
2. COMPONENTS SHOULD BE ADEQUATELY PREHEATED BEFORE SOLDERING.
3. U.S. PATENT 6,288,626 SHOULD APPEAR ON THE LABEL OF EACH REEL OF PACKAGED PARTS.
4. MINIMUM LINE TO LINE RESISTANCE 75MΩ.

Z vs. FREQUENCY (C,N,O)



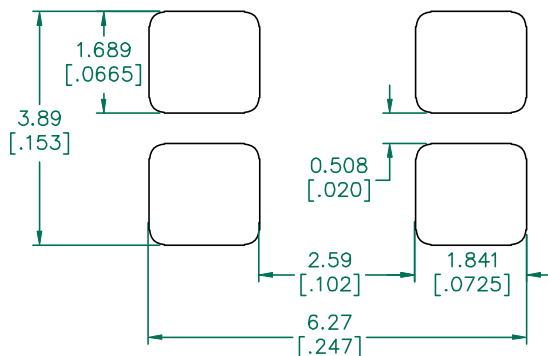
Common Normal Open

Z, R, XL vs. FREQUENCY



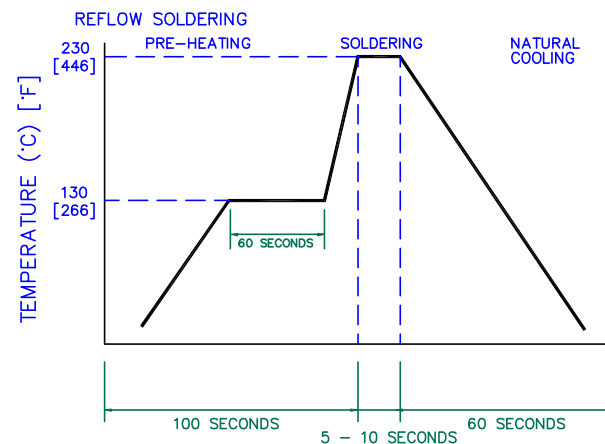
Z R XL

## LAND PATTERNS FOR REFLOW SOLDERING



(For wave soldering, add 0.762 [0.030] to this dimension.)

## RECOMMENDED SOLDERING CONDITIONS



DIMENSIONS ARE IN mm [INCHES].

THIS DOCUMENT CONTAINS INFORMATION WHICH IS PROPRIETARY AND CONFIDENTIAL TO STEWARD. NO PRODUCTION OR PUBLICATION OF THIS DOCUMENT IN WHOLE OR IN PART SHALL BE MADE WITHOUT WRITTEN AUTHORIZATION FROM STEWARD.

**Steward**

PROJECT/PART NUMBER: CM1812X330R-00  
 REV: A  
 PART TYPE: CO-FIRE  
 DRAWN BY: JRK

DATE: 07/26/04  
 SCALE: NTS  
 SHEET: 2 of 2

CAD # CM1812X330R-00-A  
 TOOL # CM1812