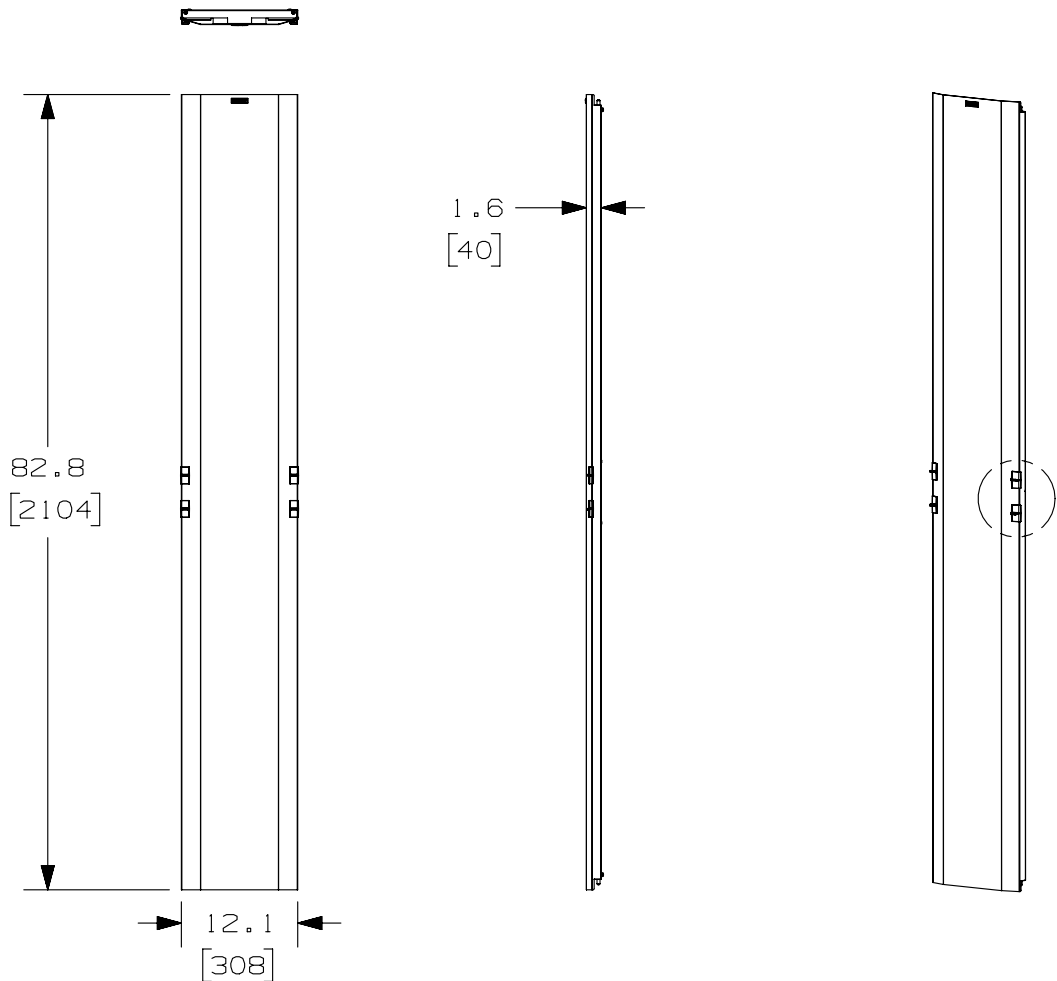
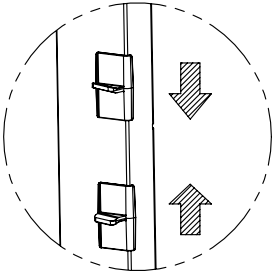


THIS COPY IS PROVIDED ON A RESTRICTED BASIS AND IS NOT TO BE USED IN ANY WAY DETRIMENTAL TO THE INTERESTS OF PANDUIT CORP.



PANDUIT P/N	WEIGHT
PRD12	9 LBS/EACH 4.1 KG/EACH

- NOTES:
- VISIT OUR ON-LINE CATALOG AT WWW.PANDUIT.COM FOR A CURRENT LIST OF PRODUCTS APPLICABLE FOR USE WITH THIS PART.
 - DOORS OPEN TO THE LEFT OR THE RIGHT.
 - DIMENSIONS IN PARENTHESES ARE METRIC.
 - ALL DIMENSIONS ARE REFERENCE ONLY.
 - ALUMINUM WITH BLACK POWDER COAT FINISH.
 - COMPONENTS:
 - 1- 12" DOOR
 - 2- DOOR STOP BRACKETS
 - 4- #10-32 X 1/2" MOUNTING SCREWS



DOOR LATCH ACTIVATION

REV	DATE	BY	CHK	APR	DESCRIPTION	ECN
20A	6-4-13	BAME	FGR	CMK	UPDATED TITLE BLOCK	10200-33
R	5-18-04	JDWE			RELEASED TO PRODUCTION	10200-33

TITLE		12" PATCHRUNNER DOOR	
CUSTOMER DRAWING			
ITEM REVISION NAME	V10200AD/20	PANDUIT	MATERIAL: ALUMINUM
DATASET FILE NAME	V10200AD_DC/20A		
UNLESS OTHERWISE SPECIFIED, DIMENSIONAL TOLERANCES ARE: IN [mm]		DRAWING NUMBER: 10200-33	
.X ±	.XXX ±	THIRD ANGLE PROJECTION	
.XX ±	ANGLES ±		
DRAWN BY	DATE	CHK	SCALE
BAME	6-4-13		NONE
SHT 1 OF 1		SIZE A	

D10100DA/15