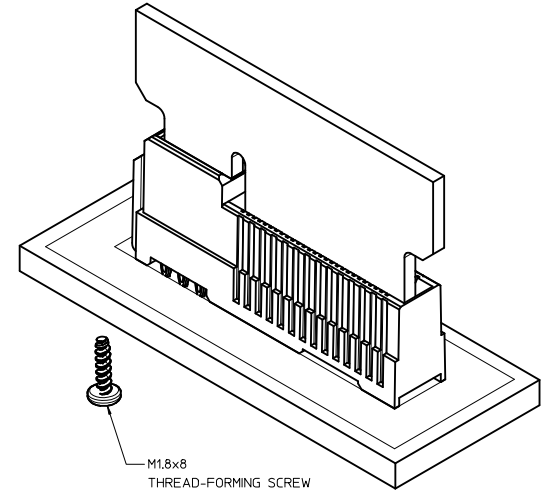
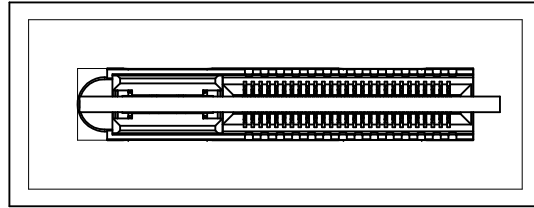
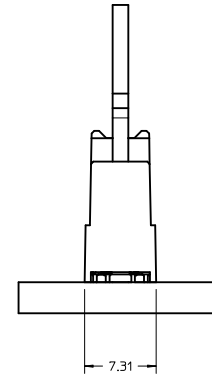
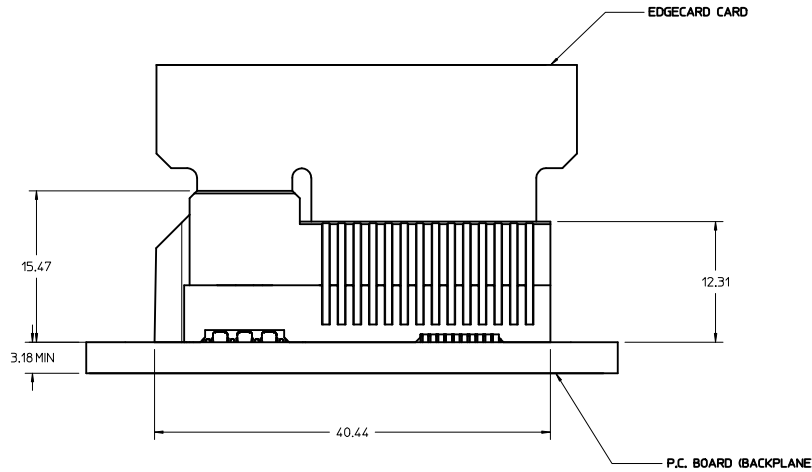


P.C. BOARD MOUNTING



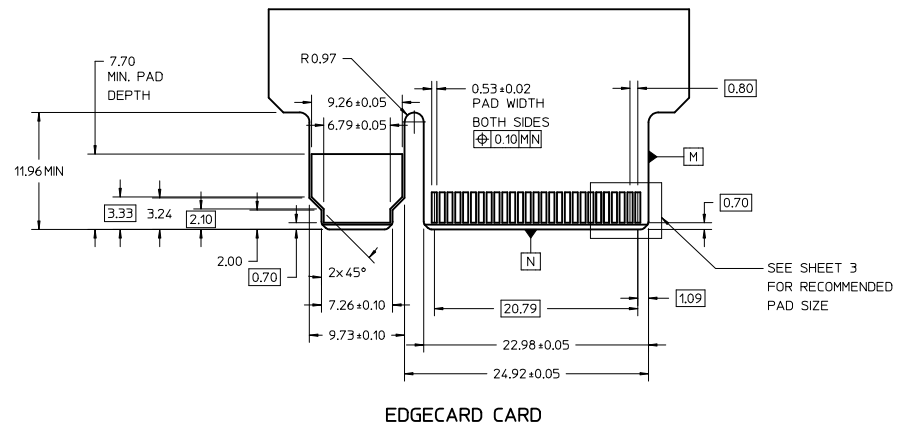
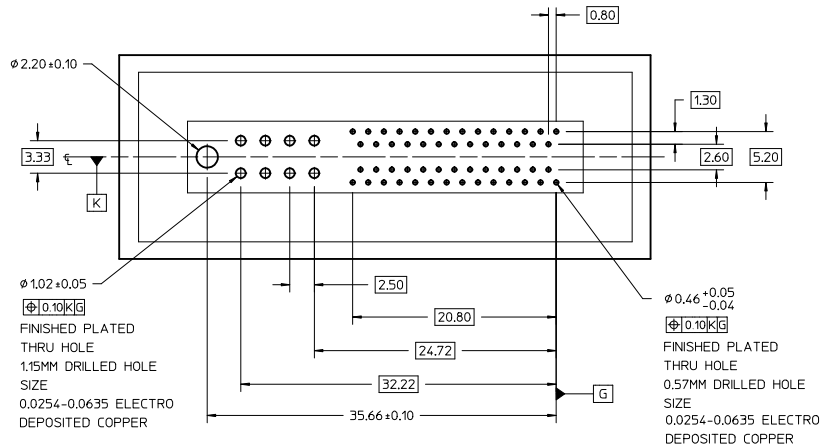
M1.8x8
 THREAD-FORMING SCREW
 SUGGESTED SOURCE:
 ACUMENT
 6125 EIGHTEEN MILE ROAD
 STERLING HEIGHTS, MICHIGAN 48314
 TEL.: 1.800.544.6117
 P/N: 3BTP8567-00
 (NOT SUPPLIED BY MOLEX)



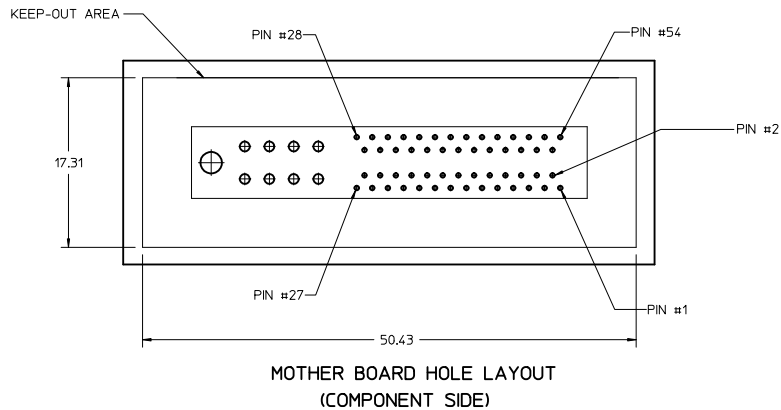
NOTES:

1. MATERIAL:
 HOUSING - GLASS FILLED THERMOPLASTIC, 94-V0, BLACK
 TERMINALS - COPPER ALLOY
2. FINISH:
 CONTACT AREA: HARD GOLD -0.76µm MIN OVER 3.80µ NICKEL
 COMPLIANT AREA: TIN - 0.76/152µm OVER NICKEL
3. REFER TO PS-76861-100 PRODUCT SPECIFICATION FOR ALL
 ELECTRICAL, MECHANICAL AND ENVIRONMENTAL SPECIFICATIONS.
4. REFER TO PK-76861-900 FOR ALL PACKAGING SPECIFICATIONS.
5. PROCESSING: PRESSFIT TO PC BOARD.
6. MATING PC BOARD THICKNESS = 1.60±0.16MM OVER CONTACT PADS.
7. PRODUCT IS ELV AND RoHS COMPLIANT. LEVEL OF COMPLIANCE: 6/6
 ALL BANNED SUBSTANCES ARE REMOVED:
 Pb (LEAD)
 HEXAVALENT CHROMIUM (CrVI)
 CADMIUM
 MERCURY
 POLYBROMINATED BIPHENYL (PBb)
 POLYBROMINATED DIPHENYL ETHER (PBDE)
8. THIS PART CONFORMS TO CLASS B REQUIREMENTS
 OF COSMETIC SPEC PS-45499-002
9. MAXIMUM SCREW TORQUE FORCE 0.12Nm.

CORRECTED ERROR ON SHEET 2 IEC NO. UCFP2012-3528 DRAWN/DROSCA 2012/04/26 CHYK: APPR: JCOMERCL 2012/06/04 REV DESCRIPTION	QUALITY SYMBOLS		GENERAL TOLERANCES (UNLESS SPECIFIED)		DIMENSION STYLE MM ONLY		SCALE 4:1	DESIGN UNITS METRIC	THIRD ANGLE PROJECTION
	▽-0	4 PLACES	mm	INCH	DRAWN BY DROSCA	DATE 8/11/09	TITLE ESP 12.5GB 0.062"PCB/0.8MM PITCH 54 CKTS		
	▽-0	3 PLACES	±0.13	±0.25	CHECKED BY JCOMERCL	DATE 8/11/09	MOLEX INCORPORATED		
	▽-0	1 PLACE	ANGULAR ±1/2°		APPROVED BY JCOMERCL	DATE 8/11/09	MATERIAL NO. 768611120	DOCUMENT NO. SD-76861-120	SHEET NO. 1 OF 4
DRAFT WHERE APPLICABLE MUST REMAIN WITHIN DIMENSIONS			THIS DRAWING CONTAINS INFORMATION THAT IS PROPRIETARY TO MOLEX INCORPORATED AND SHOULD NOT BE USED WITHOUT WRITTEN PERMISSION						

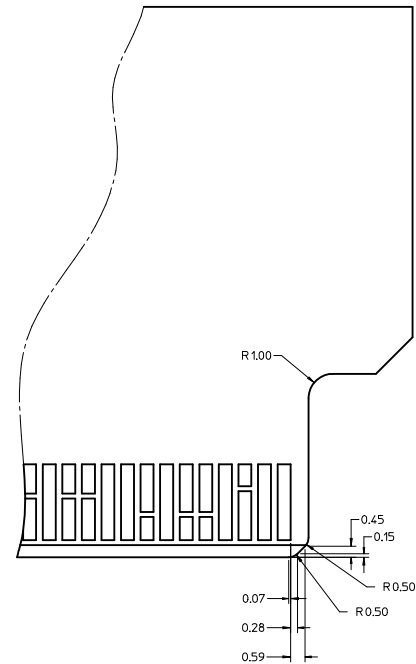
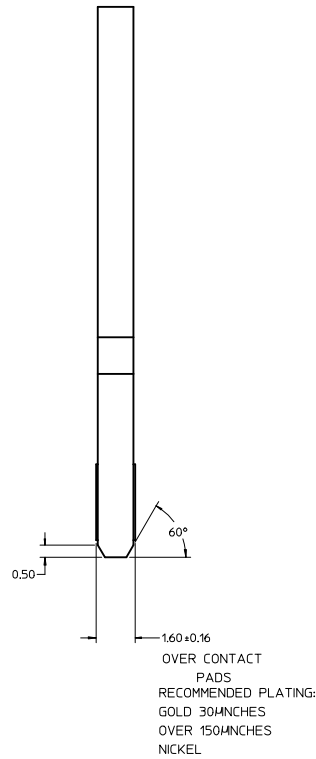
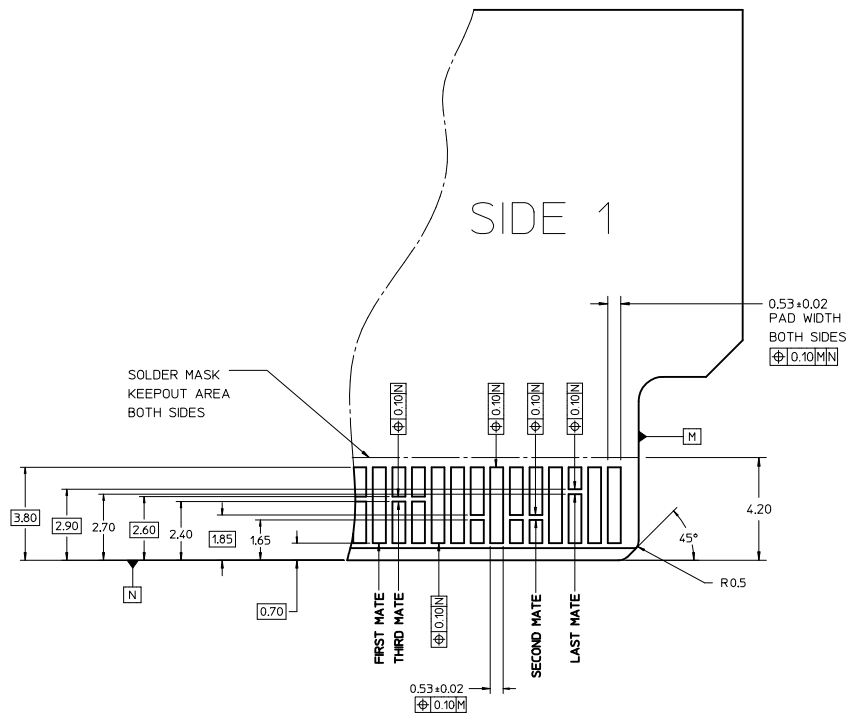


EDGECARD CARD



SEE SHEET 1 IEC NO: UCF2012-3528 DRAWN BY: DROSICA CHKD: JCOMERCI APPR: JCOMERCI 2012/04/26 2012/06/04 DESCRIPTION	QUALITY SYMBOLS $\nabla=0$ $\nabla=0$		GENERAL TOLERANCES (UNLESS SPECIFIED)		DIMENSION STYLE MM ONLY		SCALE 4:1	DESIGN UNITS METRIC	THIRD ANGLE PROJECTION
	4 PLACES	± 0.13	± 0.13	± 0.13	± 0.13	± 0.13	DATE	DATE	TITLE
	3 PLACES	± 0.13	± 0.13	± 0.13	± 0.13	± 0.13	8/11/09	8/11/09	ESP 12.5GB
	2 PLACES	± 0.13	± 0.13	± 0.13	± 0.13	± 0.13	8/11/09	8/11/09	0.062"PCB/0.8MM PITCH
1 PLACE	± 0.25	± 0.25	± 0.25	± 0.25	± 0.25	8/11/09	8/11/09	54 CKTS	
DRAFT WHERE APPLICABLE MUST REMAIN WITHIN DIMENSIONS			ANGULAR ± 1/2°		MATERIAL NO. SEE SHEET 1		MOLEX INCORPORATED DOCUMENT NO. SD-76861-120		
					SIZE D		SHEET NO. 2 OF 4		
THIS DRAWING CONTAINS INFORMATION THAT IS PROPRIETARY TO MOLEX INCORPORATED AND SHOULD NOT BE USED WITHOUT WRITTEN PERMISSION									

MODULE EDGE CARD CONTACT DETAIL



NOTE:

THESE ARE GENERIC DETAILS THAT DESCRIBE THE CONFIGURATION OF VARIOUS PCB DESIGN ELEMENTS. THE CUSTOMER MUST DETERMINE WHERE AND WHEN TO USE EACH ELEMENT TO ACCOMMODATE THEIR SPECIFIC APPLICATION.

SEE SHEET 1 IEC NO: UCF2012-3528 DRAWN: DROSCA 2012/04/26 CHYD: APPR: JCOMERCI 2012/06/04 REV DESCRIPTION	QUALITY SYMBOLS ▽=0 ▽=0		GENERAL TOLERANCES (UNLESS SPECIFIED) <table border="1"> <thead> <tr> <th></th> <th>mm</th> <th>INCH</th> </tr> </thead> <tbody> <tr> <td>4 PLACES</td> <td>±0.13</td> <td>±0.005</td> </tr> <tr> <td>3 PLACES</td> <td>±0.25</td> <td>±0.010</td> </tr> <tr> <td>2 PLACES</td> <td>±0.38</td> <td>±0.015</td> </tr> <tr> <td>1 PLACE</td> <td>±0.51</td> <td>±0.020</td> </tr> </tbody> </table>			mm	INCH	4 PLACES	±0.13	±0.005	3 PLACES	±0.25	±0.010	2 PLACES	±0.38	±0.015	1 PLACE	±0.51	±0.020	DIMENSION STYLE MM ONLY	SCALE 10:1	DESIGN UNITS METRIC	THIRD ANGLE PROJECTION
		mm	INCH																				
	4 PLACES	±0.13	±0.005																				
	3 PLACES	±0.25	±0.010																				
2 PLACES	±0.38	±0.015																					
1 PLACE	±0.51	±0.020																					
DRAFT WHERE APPLICABLE MUST REMAIN WITHIN DIMENSIONS		MATERIAL NO. SEE SHEET 1		DATE 8/11/09		TITLE ESP 12.5GB 0.062"PCB/0.8MM PITCH 54 CKTS																	
WATER NO.		DATE 8/11/09		APPROVED BY JCOMERCI		MOLEX INCORPORATED																	
SIZE D		DOCUMENT NO. SD-76861-120		SHEET NO. 3 OF 4		THIS DRAWING CONTAINS INFORMATION THAT IS PROPRIETARY TO MOLEX INCORPORATED AND SHOULD NOT BE USED WITHOUT WRITTEN PERMISSION																	

LEGEND EDGELINE 54 CIRCUITS / 0.062"PCB						
COMPONENT SIDE 1			COMPONENT SIDE 2			
PIN NO.	SIGNAL	ALLEGRO PIN NO.	SIGNAL	PIN NO.		
54	GND	○	SIGNAL 1	1		
53	SATA0_TX_P	○	SIGNAL 2	2		
52	SATA0_TX_N	○	SIGNAL 3	3		
51	GND	○	SIGNAL 4	4		
50	SATA0_RX_N	○	SIGNAL 5	5		
49	SATA0_RX_P	○	SIGNAL 6	6		
48	GND	○	PSV_STBY1	7		
47	SATA1_TX_P	○	SIGNAL 7	8		
46	SATA1_TX_N	○	SIGNAL 8	9		
45	GND	○	SIGNAL 9	10		
44	SATA1_RX_N	○	SIGNAL 10	11		
43	SATA1_RX_P	○	SIGNAL 11	12		
42	GND	○	SIGNAL 12	13		
41	SATA2_TX_P	○	SIGNAL 13	14		
40	SATA2_TX_N	○	SIGNAL 14	15		
39	GND	○	PSV_STBY2	16		
38	SATA2_RX_N	○	SIGNAL 15	17		
37	SATA2_RX_P	○	SIGNAL 16	18		
36	GND	○	GND	19		
35	SATA3_TX_P	○	SATA3_RX_P	20		
34	SATA3_TX_N	○	SATA3_RX_N	21		
33	GND	○	GND	22		
32	RESERVE	○	RESERVE	23		
31	TBD	○	TBD	24		
30	TBD	○	TBD	25		
29	TBD	○	TBD	26		
28	TBD	○	TBD	27		
POWER		LPH POWER, 2 CIRCUIT			RETURN	

SEE SHEET 1 IEC NO: UCF2012-3528 DRAWN: DROSCA 2012/04/26 CHKD: APPR: JCOMERCI 2012/06/04 REV:	QUALITY SYMBOLS 	GENERAL TOLERANCES (UNLESS SPECIFIED) <table border="1"> <tr><th></th><th>mm</th><th>INCH</th></tr> <tr><td>4 PLACES</td><td>±0.13</td><td>±0.005</td></tr> <tr><td>3 PLACES</td><td>±0.25</td><td>±0.010</td></tr> <tr><td>2 PLACES</td><td>±0.38</td><td>±0.015</td></tr> <tr><td>1 PLACE</td><td>±0.51</td><td>±0.020</td></tr> <tr><td colspan="3">ANGULAR ±1/2°</td></tr> </table>		mm	INCH	4 PLACES	±0.13	±0.005	3 PLACES	±0.25	±0.010	2 PLACES	±0.38	±0.015	1 PLACE	±0.51	±0.020	ANGULAR ±1/2°			DIMENSION STYLE MM ONLY	SCALE 4:1	DESIGN UNITS METRIC	THIRD ANGLE PROJECTION
		mm	INCH																					
	4 PLACES	±0.13	±0.005																					
	3 PLACES	±0.25	±0.010																					
2 PLACES	±0.38	±0.015																						
1 PLACE	±0.51	±0.020																						
ANGULAR ±1/2°																								
DRAWN BY DROSCA	DATE 8/11/09	TITLE ESP 12.5GB 0.062"PCB/0.8MM PITCH 54 CKTS																						
CHECKED BY JCOMERCI	DATE 8/11/09	APPROVED BY JCOMERCI																						
MATERIAL NO. SEE SHEET 1	DATE 8/11/09	DOCUMENT NO. SD-76861-120	SHEET NO. 4 OF 4																					