

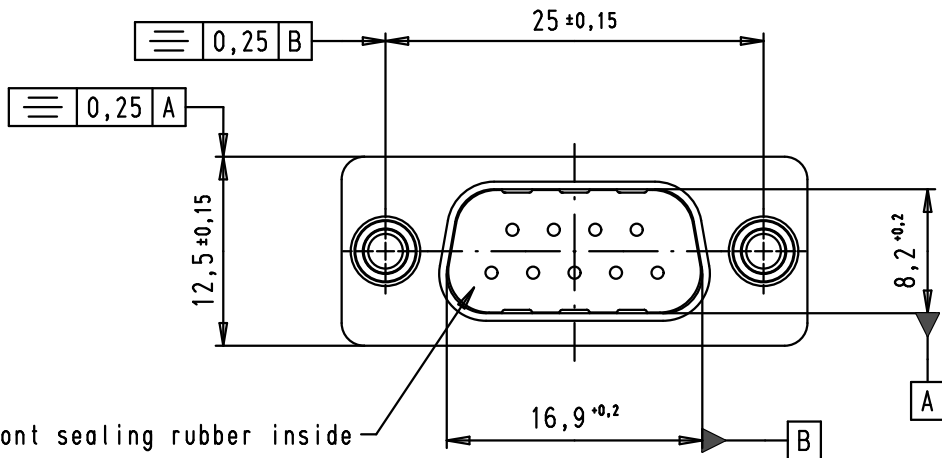
5

4

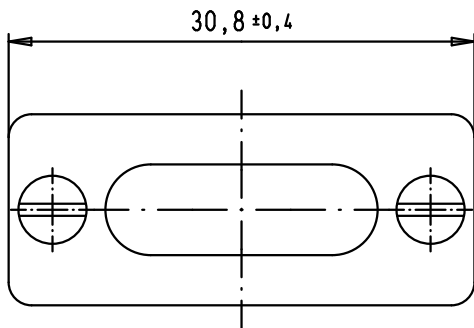
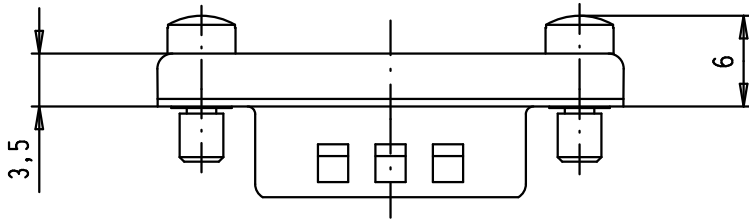
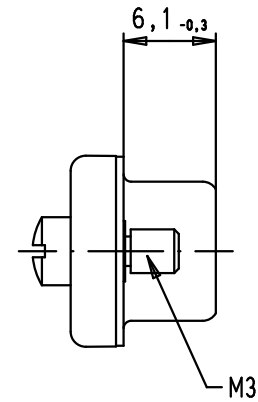
3

2

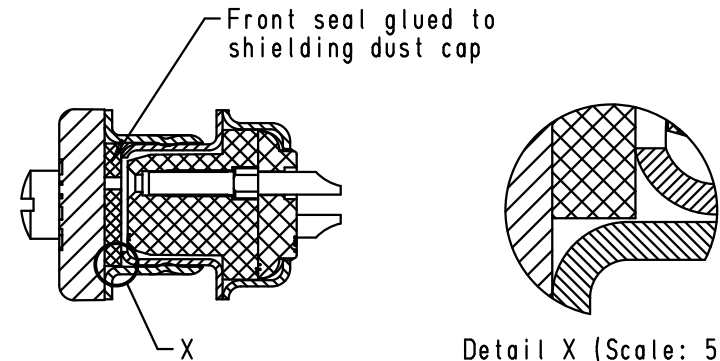
1



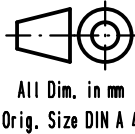

Front sealing rubber inside



IP 67 shielding concept



Detail X (Scale: 5:1)

				Det.	Name	 <p>All Dim. in mm Orig. Size DIN A 4</p>	IP 67 male metal shielding cap, tin plated shell with dimples for 9 poles female D-Sub with screw locks	Maßstab/ Scale	
			Detail.	12/04/07	PK			2:1	
			Insp.						
			Stand.						
	34906	18/04/08	PK	HARTING EURL F-95972 Paris				TB 09 67 002 9055	Blatt/ Page
	33977	12/04/07	PK						1 / 1
	Mod.	Det.	Name					Sub.	

D

C

B

A