

ATLANTIC VERSION TERMINATOR INTERFACE ADAPTER	PART NUMBER	REVISION	DESCRIPTION	FEED TYPE	APPLICATOR STYLE CONVERSION CHART					
					CONVERT TO	PART NUMBERS REQUIRED				
	2150117-2	B	FINE CRIMP HEIGHT ADJUST	PNEUMATIC	-	-	-	-	-	-
	2150117-5	B	FINE CRIMP HEIGHT ADJUST	SERVO LATCH PLATE	SERVO LATCH PLATE	2119951-1	1901697-2	8-2150117-5	-	2168400-7 (QUANTITY 2)
	2150117-6	B	NON-CRIMP HEIGHT ADJUST	SERVO LATCH PLATE	PNEUMATIC FEED	2119950-1	2119792-9	-	2119641-1	2063440-1
	2150117-7	B	FINE CRIMP HEIGHT ADJUST	NONE	-	-	-	-	-	-
	7-2150117-7	A	CRIMP TOOLING KIT	-	-	-	-	-	-	-

APPLICATOR DATA		
CRIMP	SIZE	TYPE
WIRE	2.79 mm [ .110 ]	F
APPL INSTRUCTIONS 408-10390		

TERMINAL DATA: TE TERMINAL TE CRIMP SPECIFICATION			
TERMINAL NAME: SPLICE (AMPLIVAR)			
WIRE STRIP LENGTH		INSULATION DIAMETER RANGE	
6.86-7.88 mm [ .270-.310 IN ]		Ø	-
TERMINAL APPLICATION SPECIFICATION	114-2003	-	-
TERMINALS APPLIED			
TE TERMINAL	TE TERMINAL	TE TERMINAL	TE TERMINAL
62304-1	62304-2	9-62304-1	

TERMINAL DATA: TE TERMINAL TE CRIMP SPECIFICATION			
TERMINAL NAME: SPLICE (AMPLIVAR)			
WIRE STRIP LENGTH		INSULATION DIAMETER RANGE	
6.86-7.88 mm [ .270-.310 IN ]		Ø2.20-3.00 mm [ .087-.118 IN ]	
TERMINAL APPLICATION SPECIFICATION	114-2003	-	-
TERMINALS APPLIED			
TE TERMINAL	TE TERMINAL	TE TERMINAL	TE TERMINAL
62305-1	62305-2	62305-3	62305-4

TERMINAL DATA: TE TERMINAL TE CRIMP SPECIFICATION			
TERMINAL NAME: SPLICE (AMPLIVAR)			
WIRE STRIP LENGTH		INSULATION DIAMETER RANGE	
6.86-7.88 mm [ .270-.310 IN ]		Ø2.20-3.00 mm [ .087-.118 IN ]	
TERMINAL APPLICATION SPECIFICATION	114-2003	-	-
TERMINALS APPLIED			
TE TERMINAL	TE TERMINAL	TE TERMINAL	TE TERMINAL
62306-1	62306-2	62306-3	9-62306-1

WIRE SIZE	CRIMP HEIGHT mm [ INCH ]	CRIMP HEIGHT REFERENCE SETTING
3000 CMA 19+18 $\frac{1}{2}$ MAG(2951)	1.64+/-0.05 [ .065+/- .002 ]	7.6
600 CMA 22 $\frac{1}{2}$ MAG(635)	1.33+/-0.05 [ .052+/- .002 ]	10.8

WIRE SIZE	CRIMP HEIGHT mm [ INCH ]	CRIMP HEIGHT REFERENCE SETTING
3000 CMA 19+18 $\frac{1}{2}$ MAG(2951)	1.45+/-0.05 [ .057+/- .002 ]	9.6
600 CMA 22 $\frac{1}{2}$ MAG(635)	1.12+/-0.05 [ .044+/- .002 ]	12.8

WIRE SIZE	CRIMP HEIGHT mm [ INCH ]	CRIMP HEIGHT REFERENCE SETTING
5000 CMA 16+17 MAG(4936)	2.06+/-0.05 [ .081+/- .002 ]	3.6
1500 CMA 21 $\frac{1}{2}$ +22 MAG(1503)	1.60+/-0.05 [ .063+/- .002 ]	8.1

- RECOMMENDED SPARE PARTS
- GREASE BEARING SURFACES LIGHTLY
- 3. LUBRICATE DAILY PER THE APPLICATOR INSTRUCTION SHEET SUPPLIED WITH THE APPLICATOR.
- APPLICATOR SPECIFIC DATA TO BE ENTERED INTO BLANK MEMORY CHIP AT ASSEMBLY. SEE BELOW FOR PART NUMBER:  
 MECHANICAL FEED WITH "SMART APPLICATOR" CONVERSION: 8-2150117-4  
 PNEUMATIC FEED WITH "SMART APPLICATOR" CONVERSION: 8-2150117-4  
 SERVO FEED WITH "FINE CRIMP HEIGHT ADJUST": 8-2150117-5  
 SERVO FEED WITH "NON-CRIMP HEIGHT ADJUST": 8-2150117-6
- 5. ADJUSTMENT OF THE STRIPPER MAY BE REQUIRED WHEN MOVING THE APPLICATOR BETWEEN BENCH AND LEADMAKER APPLICATIONS.
- APPLY PART NUMBER 1-23419-5 LOCTITE TO THREADS OF ITEM 62. FOR -6 ONLY APPLY PART NUMBER 1-23419-5 LOCTITE TO THREADS OF ITEM 37.
- GREASE THREADS, GROOVE AND O-RING ON ITEMS 35 & 252.
- MAGNET, ITEM 166 MUST BE ORIENTED CORRECTLY IN ORDER TO PROPERLY ACTUATE THE COUNTER.
- CRIMP HEIGHT REFERENCE SETTING WAS THE SETTING USED WHEN THE APPLICATOR WAS QUALIFIED AT THE FACTORY. ADJUSTMENT MAY BE NECESSARY WHEN RUNNING APPLICATOR IN THE FIELD.
- SPARE FEED CAM STORAGE LOCATION REFER TO INSTRUCTION SHEET FOR ADDITIONAL INFORMATION.
- THE RECOMMENDED SET-UP FOR END FEED APPLICATORS IS POST-FEED WITH ITEM 2119653-1. THE APPLICATOR CAN BE CONFIGURED FOR PRE-FEED WITH ITEM 2119652-1 BUT MAY ENCOUNTER PROBLEMS WITH SOME APPLICATIONS. FEED ISSUES OR TERMINAL JAMMING MAY OCCUR IN THE PRE-FEED CONFIGURATION.
- WHEN ASSEMBLING -6 NON-CRIMP HEIGHT ADJUST APPLICATOR USE SHIM PACK 2119957-2 TO ALIGN APPLICATOR'S MAXIMUM WIRE CRIMP HEIGHT AT NORMAL TERMINATOR SHUT HEIGHT
- REFER TO TERMINAL CUSTOMER DRAWING FOR CRIMP HEIGHT FORMULA TO CALCULATE SPECIFIC CRIMP HEIGHTS.
- TERMINAL PITCH NOT COMPATIBLE WITH MECHANICAL FEED.
- TERMINAL LUBRICANT RECOMMENDED.

**\*WARNING**  
 ON INSTALLATION, SET WIRE DISC, ITEM 40 TO LARGEST WIRE SIZE SETTING. USE OF SETTINGS BELOW MINIMUM REQUIRED CRIMP HEIGHT SETTING WILL CAUSE DAMAGE TO CRIMP TOOLING.

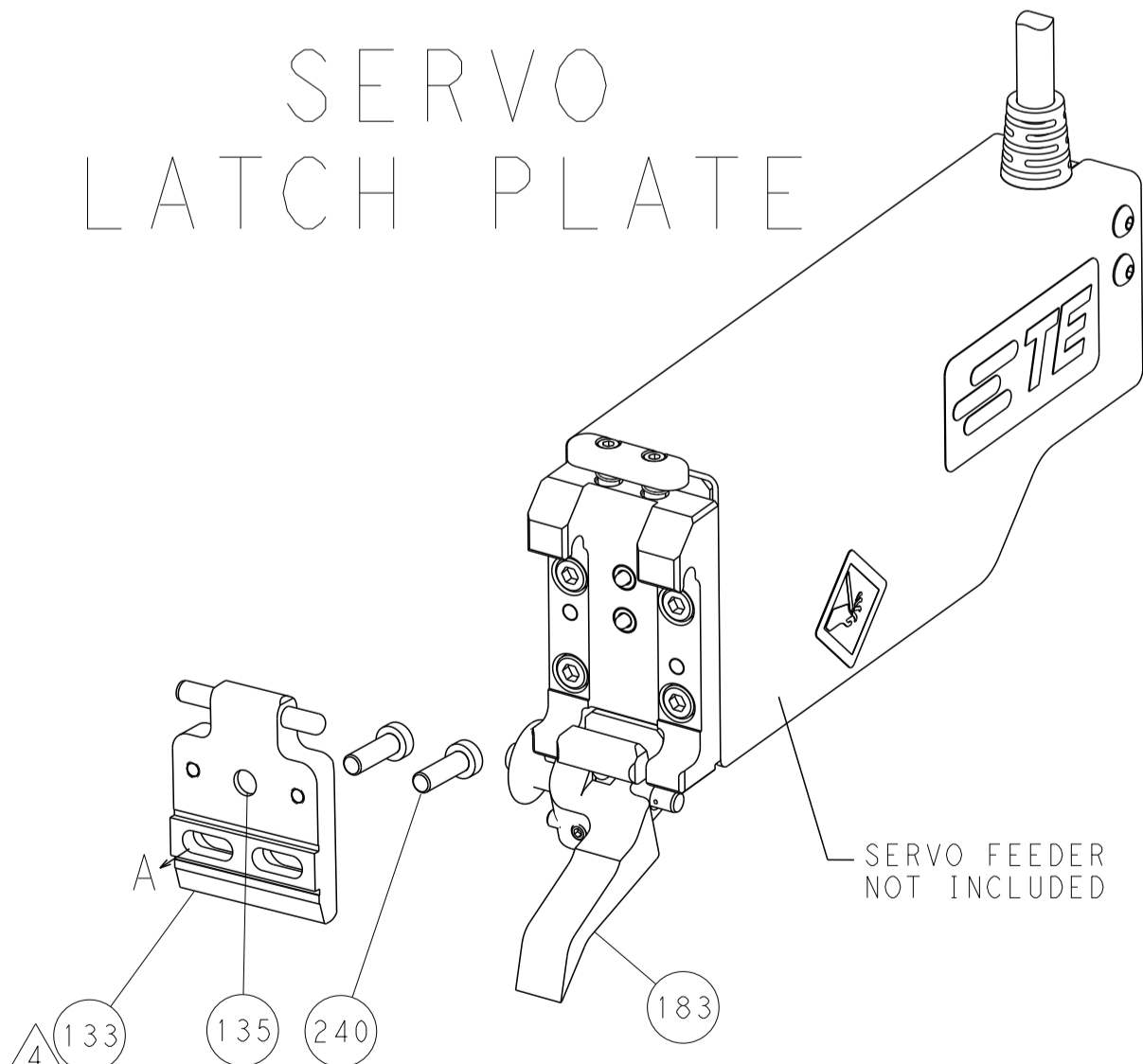
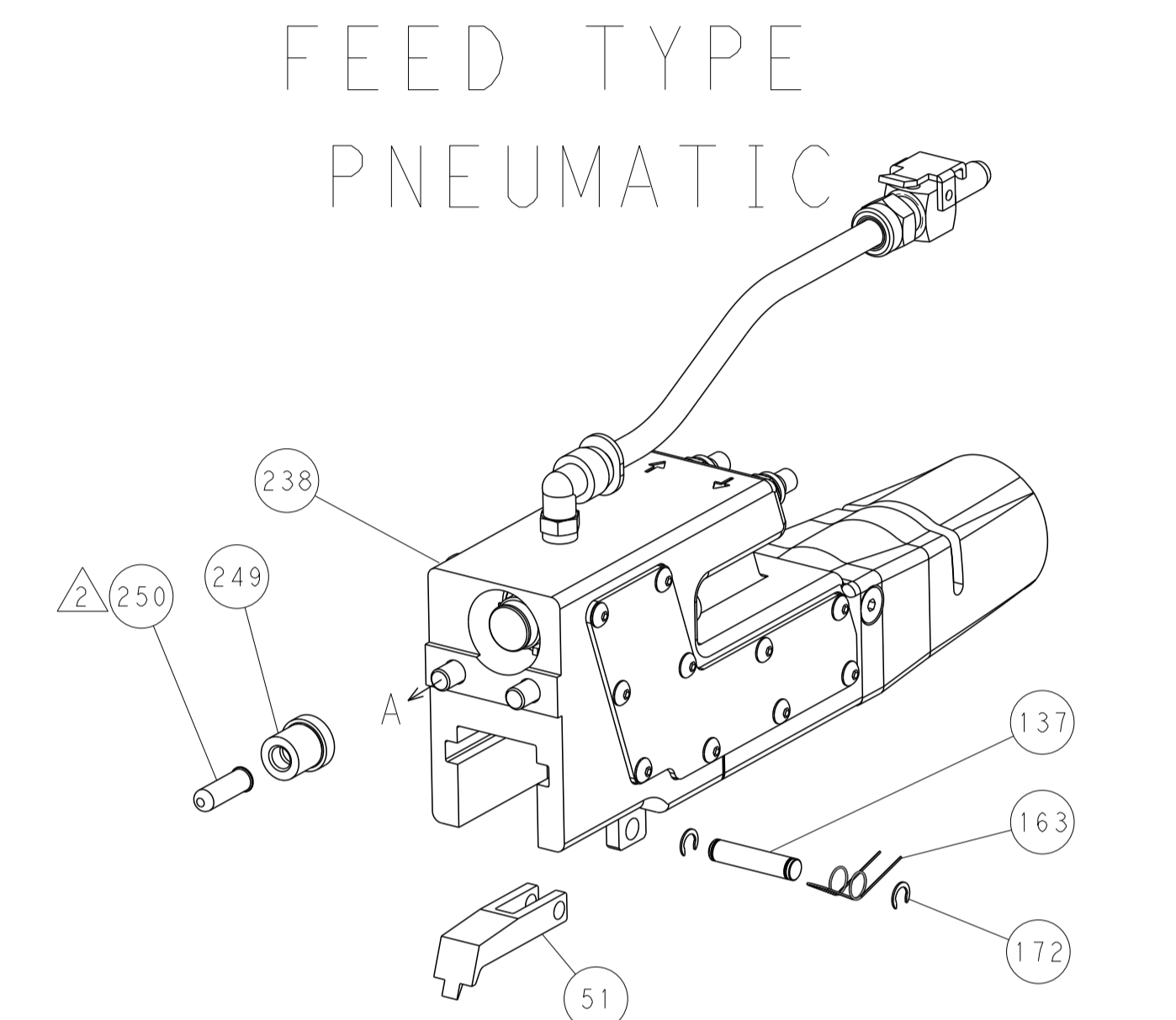
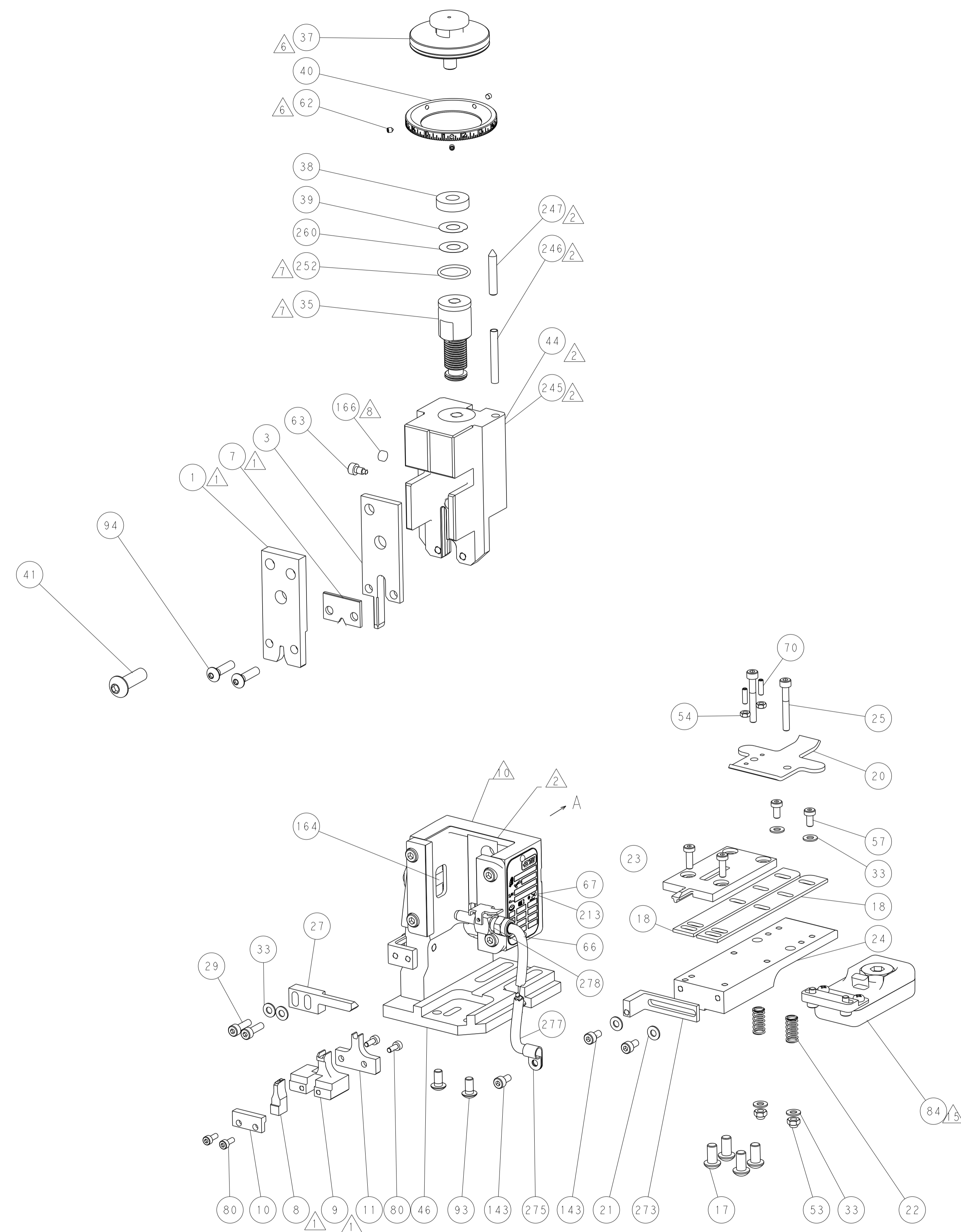
**ATLANTIC VERSION**  
 Shown on sheets 1 of 4 & 2 of 4  
 (Pacific version shown on sheets 3 of 4 & 4 of 4)

SET UP GAUGE	LOC	DIST	REVISIONS			
2119599-2	A	66	REV	DATE	BY	APPV
			A	RELEASED	02MAY2016	BW GB
			B	ECR-17-000089	04JAN2017	TB GB

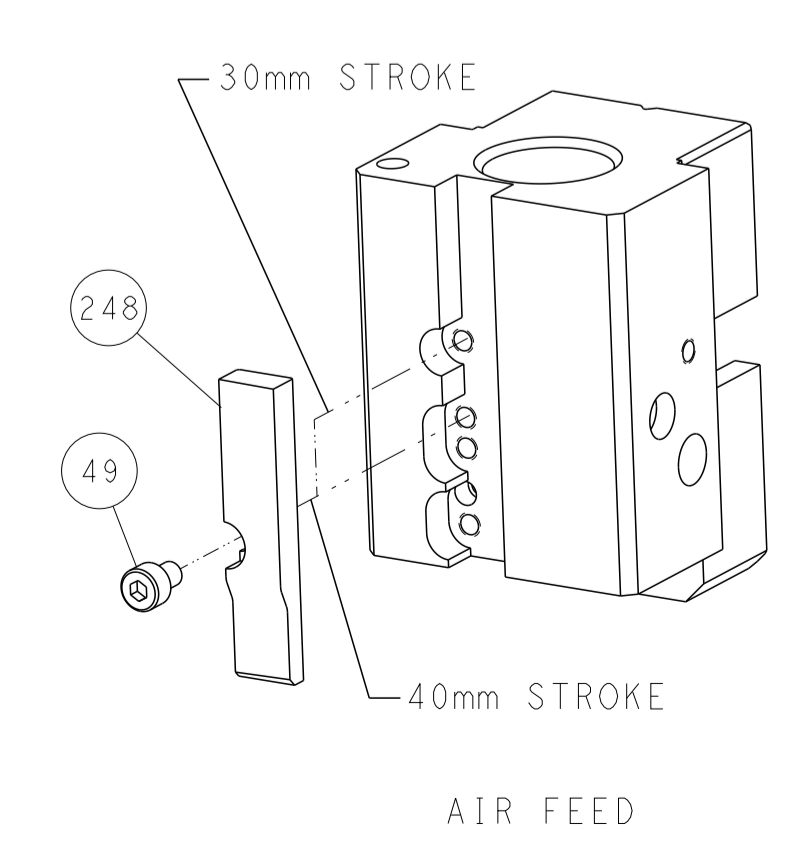
-	1	1	1	1	23238-1	INSERT, COUPLING	278
-	24	24	24	24	2030758-3	TUBING, POLYURETHANE	277
-	1	1	1	1	986220-3	CLAMP, CABLE, BLACK	275
-	1	1	1	1	2844280-1	MOUNT, AIR BLAST	273
-	-	1	-	-	2119957-2	APPLICATOR SHIM PACK	260
-	1	-	1	1	8-21084-0	O-RING, .676 ID, .070 DIA. MAT.	252
-	-	-	-	1	2119640-1	PUSH ROD, AIR FEED	250
-	-	-	-	1	2079988-1	BUSHING, LCH5-12, MISUMI	249
-	-	-	-	1	2119641-1	FEED CAM, AIR FEED	248
-	1	-	1	1	2119798-1	DETENT PIN	247
-	1	-	1	1	1-22279-3	SPRING, COMPRESSION	246
-	-	1	-	-	2844274-1	RAM, AMP STYLE, END FEED, NON-ADJUST	245
-	-	2	2	-	2168400-7	SHCS, LOW HEAD, RoHS, M5 X 10	240
-	-	-	-	1	2063440-1	AIR FEED MODULE	238
-	-	1	1	-	2119740-2	TAG, IDENTIFICATION	213
-	-	1	1	-	1901697-2	FEED FINGER ASSEMBLY, EF	183
-	-	-	-	2	21045-3	RING, RETAIN, EXTERN, 3/16 CRESCENT	172
-	1	1	1	1	994969-1	MAGNET, RARE EARTH HIGH ENERGY	166
-	REF	REF	REF	REF	994970-2	COUNTER, MAGNETIC	164
-	-	-	-	1	240638-1	SPRING, FEED FINGER	163
-	3	3	3	3	1-18023-0	SCR, SKT HD CAP M4 X 8.0	143
-	-	-	-	1	3-23627-7	PIN, RETAIN, GRVD, 3/16 X .854	137
-	-	REF	REF	-	SEE NOTE 4	MEMORY CHIP, PROGRAMMED	135
-	-	1	1	-	1633743-1	SERVO FEED LATCH ASM	133
-	2	2	2	2	1-18024-4	SCR, BTN SKT HD CAP (M5 X 20.0)	94
-	2	2	2	2	1-18024-1	SCR, BTN SKT HD CAP (M5 X 10.0)	93
-	1	1	1	1	2119955-2	ASSY, LUBRICATOR, END FEED	84
-	4	4	4	4	2168083-1	SCR, SKT HD CAP, RoHS, M3 X 8.0	80
-	1	1	1	1	2119956-2	DOCUMENTATION PACKAGE	71
-	2	2	2	2	2-18032-2	SCR, SET, FLT POINT M3 X 10.0	70
-	1	-	-	1	2119740-1	TAG, IDENTIFICATION	67
-	2	2	2	2	2168078-1	SCREW, DRIVE, RH, RoHS, 2 x .188	66
-	1	-	1	1	2119793-1	LIMITER, ADJUSTMENT BOLT	63
-	3	-	3	3	992763-5	SCR, SET, SOC, CONE POINT, M3 x 4.0	62
-	2	2	2	2	2168400-1	SHCS, LOW HEAD, RoHS, M4 X 12	60
-	2	2	2	2	2168400-4	SHCS, LOW HEAD, RoHS, M4 X 8	57
-	2	2	2	2	5018030-1	NUT, HEX, REG, RoHS, M3	54
-	2	2	2	2	986965-8	NUT, LOCK, HEX, TORQUE (M4)	53
-	-	-	-	1	2119792-9	PAWL, EF, AIR	51
-	-	-	-	1	18023-9	SCR, SKT HD CAP M4 X 6.0	49
-	1	1	1	1	2-2119655-1	APPLICATOR BASIC ASSEMBLY, EF	46
-	1	-	1	1	2844273-1	RAM, AMP STYLE, END FEED	44
-	1	1	1	1	2079383-7	SCR, BHSC, RoHS (M8 X 25)	41
-	1	-	1	1	2119645-1	DISC, NUMBERED FA WIRE ADJUSTMENT	40
-	1	-	1	1	2119957-1	APPLICATOR SHIM PACK	39
-	1	1	1	1	1-2119644-2	RAM WASHER, PRECISION	38
-	1	1	1	1	2119085-1	FA HEAD, ATLANTIC STYLE	37
-	1	-	1	1	2119092-1	BOLT, ADJUSTMENT	35
-	8	8	8	8	1-18028-2	WASHER, FLAT, REG M4	33
-	2	2	2	2	2-2168083-5	SCR, SKT HD CAP, RoHS, M4 X 14	29
-	1	1	1	1	460276-2	STRIPPER, SPECIAL	27
-	2	2	2	2	1-2168083-5	SCR, SKT HD CAP, RoHS, M4 X 30	25
-	1	1	1	1	3-1752371-0	PLATE, STRIP GUIDE	24
-	1	1	1	1	1-462932-0	PLATE, STRIP COVER	23
-	2	2	2	2	2-22281-3	SPRING, COMPRESSION	22
-	2	2	2	2	18027-2	WASHER, FLAT, REG M4	21
-	1	1	1	1	1803292-1	DRAG	20
-	2	2	2	2	1901259-4	GUIDE, LOWER STRIP	18
-	4	4	4	4	1-2079383-1	SCR, BHSC, RoHS (M6 X 12)	17
-	1	1	1	1	459684-3	PLATE GUIDE, RETAINING	11
-	1	1	1	1	459580-1	PLATE, RETAINING	10
-	1	1	1	1	2-459583-1	BODY, ANVIL	9
-	1	1	1	1	459582-4	ANVIL, AMPLIVAR SPLICE	8
-	1	1	1	1	459581-1	BLADE, SLUG	7
-	-	-	-	-	-	-	6
-	-	-	-	-	-	-	5
-	-	-	-	-	-	-	4
-	1	1	1	1	459587-1	GUIDE, CRIMPER	3
-	-	-	-	-	-	-	2
-	1	1	1	1	459585-1	CRIMPER, BLUNT F	1

DIMENSIONS:		TOLERANCES UNLESS OTHERWISE SPECIFIED:		OWN	DATE	NAME
mm	0 PLC	±		B. WEAVER	16FEB2016	TE Connectivity
	1 PLC	±		G. BAILEY	16FEB2016	Harrisburg, PA 17105-3608
	2 PLC	±		G. BAILEY	16FEB2016	
	3 PLC	±				
	4 PLC	±				
	ANGLES	±				
	FINISH	±				
MATERIAL				WEIGHT		

LOC	DIST	REVISIONS					
A	66	P	LTM	DESCRIPTION	DATE	DWN	APVD
		-		SEE SHEET 1			



CAM POSITION



**ATLANTIC VERSION**  
 Shown on sheets 1 of 4 & 2 of 4  
 (Pacific version shown on sheets 3 of 4 & 4 of 4)

DIMENSIONS: mm 		TOLERANCES UNLESS OTHERWISE SPECIFIED: 0 PLC ± 1 PLC ± 2 PLC ± 3 PLC ± 4 PLC ± ANGLES ± FINISH		DWN B. WEAVER 16FEB2016 CHK G. BAILEY 16FEB2016 APVD G. BAILEY 16FEB2016 PRODUCT SPEC APPLICATION SPEC WEIGHT Customer Accessible Production Drawing		NAME Ocean End Feed Applicator SIZE CAGE CODE DRAWING NO A1 00779 C=2150117 SCALE 1:1 SHEET 2 OF 4 REV B		TE Connectivity Harrisburg, PA 17105-3608	
-----------------------	--	---	--	--	--	--	--	--	--

PACIFIC VERSION TERMINATOR INTERFACE ADAPTER	PART NUMBER	REVISION	DESCRIPTION	FEED TYPE	APPLICATOR STYLE CONVERSION CHART					
					CONVERT TO	PART NUMBERS REQUIRED				
	2-2150117-2	B	FINE CRIMP HEIGHT ADJUST	PNEUMATIC	-	-	-	-	-	-
	2-2150117-5	B	FINE CRIMP HEIGHT ADJUST	SERVO LATCH PLATE	2119951-1	1901697-2	8-2150117-5	-	-	2168400-7 (QUANTITY 2)
	2-2150117-7	B	FINE CRIMP HEIGHT ADJUST	SMART APPLICATOR	2161326-1	-	8-2150117-4	-	-	-
	7-2150117-7	A	CRIMP TOOLING KIT	PNEUMATIC FEED	2119950-1	2119792-9	-	2119641-2	-	2063440-1

APPLICATOR DATA		
CRIMP SIZE	WIRE	TYPE
	2.79 mm [1.110]	F
APPL INSTRUCTIONS 408-10390		

TERMINAL DATA: TE TERMINAL TE CRIMP SPECIFICATION			
TERMINAL NAME: SPLICE (AMPLIVAR)			
WIRE STRIP LENGTH	INSULATION DIAMETER RANGE		
6.86-7.88 mm [1.270-.310 IN]	Ø -		
TERMINAL APPLICATION SPECIFICATION	114-2003	-	-
TERMINALS APPLIED			
TE TERMINAL	TE TERMINAL	TE TERMINAL	TE TERMINAL
62304-1	62304-2	9-62304-1	

TERMINAL DATA: TE TERMINAL TE CRIMP SPECIFICATION			
TERMINAL NAME: SPLICE (AMPLIVAR)			
WIRE STRIP LENGTH	INSULATION DIAMETER RANGE		
6.86-7.88 mm [1.270-.310 IN]	Ø 2.20-3.00 mm [1.087-.118 IN]		
TERMINAL APPLICATION SPECIFICATION	114-2003	-	-
TERMINALS APPLIED			
TE TERMINAL	TE TERMINAL	TE TERMINAL	TE TERMINAL
62305-1	62305-2	62305-3	62305-4

TERMINAL DATA: TE TERMINAL TE CRIMP SPECIFICATION			
TERMINAL NAME: SPLICE (AMPLIVAR)			
WIRE STRIP LENGTH	INSULATION DIAMETER RANGE		
6.86-7.88 mm [1.270-.310 IN]	Ø 2.20-3.00 mm [1.087-.118 IN]		
TERMINAL APPLICATION SPECIFICATION	114-2003	-	-
TERMINALS APPLIED			
TE TERMINAL	TE TERMINAL	TE TERMINAL	TE TERMINAL
62306-1	62306-2	62306-3	9-62306-1

WIRE SIZE	CRIMP HEIGHT mm [INCH]	CRIMP HEIGHT REFERENCE SETTING	WIRE SIZE	CRIMP HEIGHT mm [INCH]	CRIMP HEIGHT REFERENCE SETTING	WIRE SIZE	CRIMP HEIGHT mm [INCH]	CRIMP HEIGHT REFERENCE SETTING
3000 CMA 19+18 MAG(2951)	1.64+/-0.05 [1.065+/- .002]	7.6	3000 CMA 19+18 MAG(2951)	1.45+/-0.05 [1.057+/- .002]	9.6	5000 CMA 16+17 MAG(4936)	2.06+/-0.05 [1.081+/- .002]	9.6
600 CMA 22 MAG(635)	1.33+/-0.05 [1.052+/- .002]	10.8	600 CMA 22 MAG(635)	1.12+/-0.05 [1.044+/- .002]	12.8	1500 CMA 21+22 MAG(1503)	1.60+/-0.05 [1.063+/- .002]	12.8

- 1. RECOMMENDED SPARE PARTS
- 2. GREASE BEARING SURFACES LIGHTLY
- 3. LUBRICATE DAILY PER THE APPLICATOR INSTRUCTION SHEET SUPPLIED WITH THE APPLICATOR.
- 4. APPLICATOR SPECIFIC DATA TO BE ENTERED INTO BLANK MEMORY CHIP AT ASSEMBLY. SEE BELOW FOR PART NUMBER:  
 MECHANICAL FEED WITH "SMART APPLICATOR" CONVERSION: 8-2150117-4  
 PNEUMATIC FEED WITH "SMART APPLICATOR" CONVERSION: 8-2150117-4  
 SERVO FEED WITH "FINE CRIMP HEIGHT ADJUST": 8-2150117-5
- 5. ADJUSTMENT OF THE STRIPPER MAY BE REQUIRED WHEN MOVING THE APPLICATOR BETWEEN BENCH AND LEADMAKER APPLICATIONS.
- 6. APPLY PART NUMBER 1-23419-5 LOCTITE TO THREADS OF ITEM 62.
- 7. GREASE THREADS, GROOVE AND O-RING ON ITEMS 139 & 153.
- 8. MAGNET, ITEM 166 MUST BE ORIENTED CORRECTLY IN ORDER TO PROPERLY ACTUATE THE COUNTER.
- 9. CRIMP HEIGHT REFERENCE SETTING WAS THE SETTING USED WHEN THE APPLICATOR WAS QUALIFIED AT THE FACTORY. ADJUSTMENT MAY BE NECESSARY WHEN RUNNING APPLICATOR IN THE FIELD.
- 10. SPARE FEED CAM STORAGE LOCATION REFER TO INSTRUCTION SHEET FOR ADDITIONAL INFORMATION.
- 11. THE RECOMMENDED SET-UP FOR END FEED APPLICATORS IS POST-FEED WITH ITEM 2119653-1. THE APPLICATOR CAN BE CONFIGURED FOR PRE-FEED WITH ITEM 2119652-1 BUT MAY ENCOUNTER PROBLEMS WITH SOME APPLICATIONS. FEED ISSUES OR TERMINAL JAMMING MAY OCCUR IN THE PRE-FEED CONFIGURATION.
- 12. REFER TO TERMINAL CUSTOMER DRAWING FOR CRIMP HEIGHT FORMULA TO CALCULATE SPECIFIC CRIMP HEIGHTS.
- 13. TERMINAL PITCH NOT COMPATIBLE WITH MECHANICAL FEED.
- 14. TERMINAL LUBRICANT RECOMMENDED.

**\*WARNING**  
 ON INSTALLATION, SET WIRE DISC, ITEM 40 TO LARGEST WIRE SIZE SETTING. USE OF SETTINGS BELOW MINIMUM REQUIRED CRIMP HEIGHT SETTING WILL CAUSE DAMAGE TO CRIMP TOOLING.

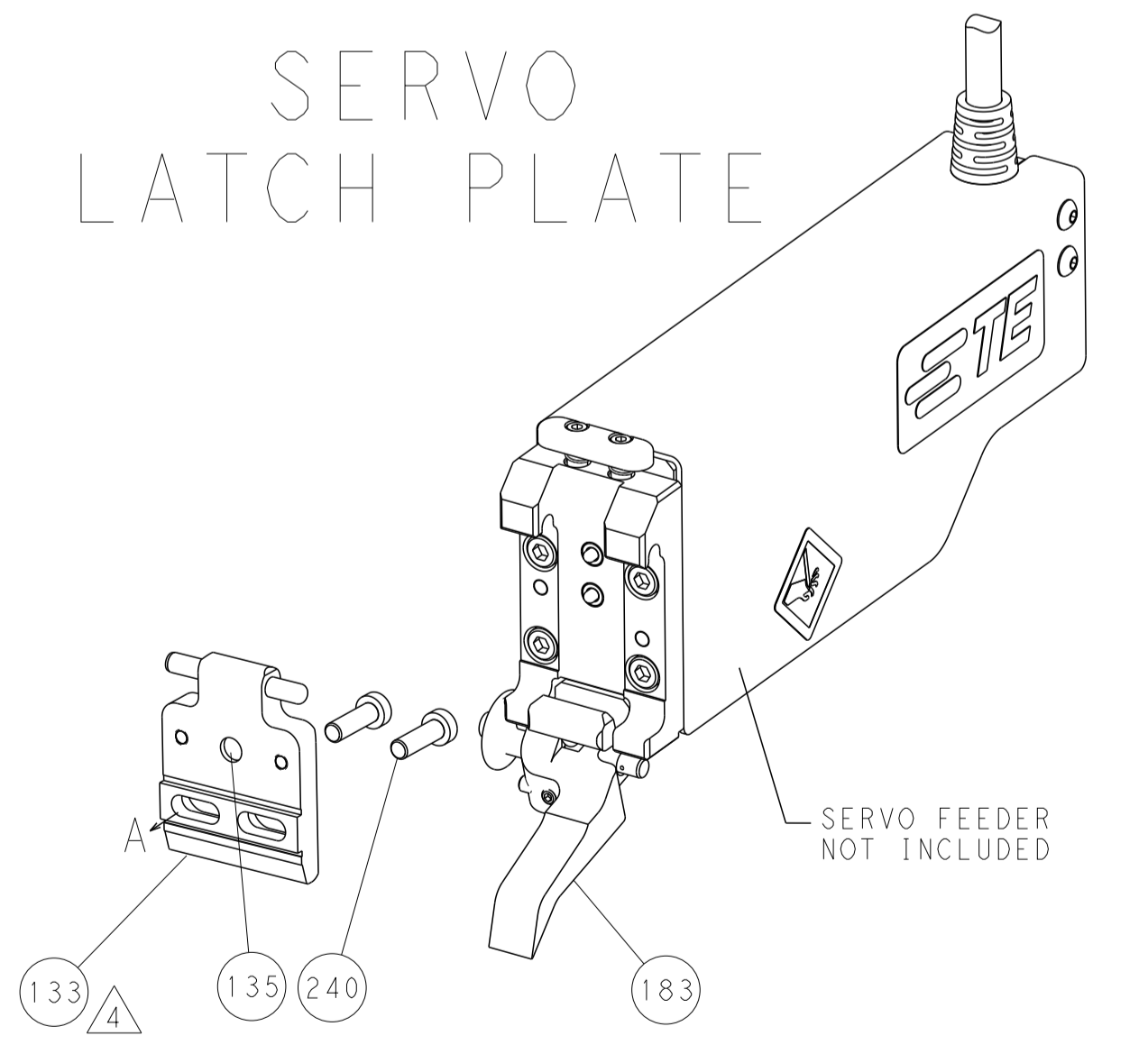
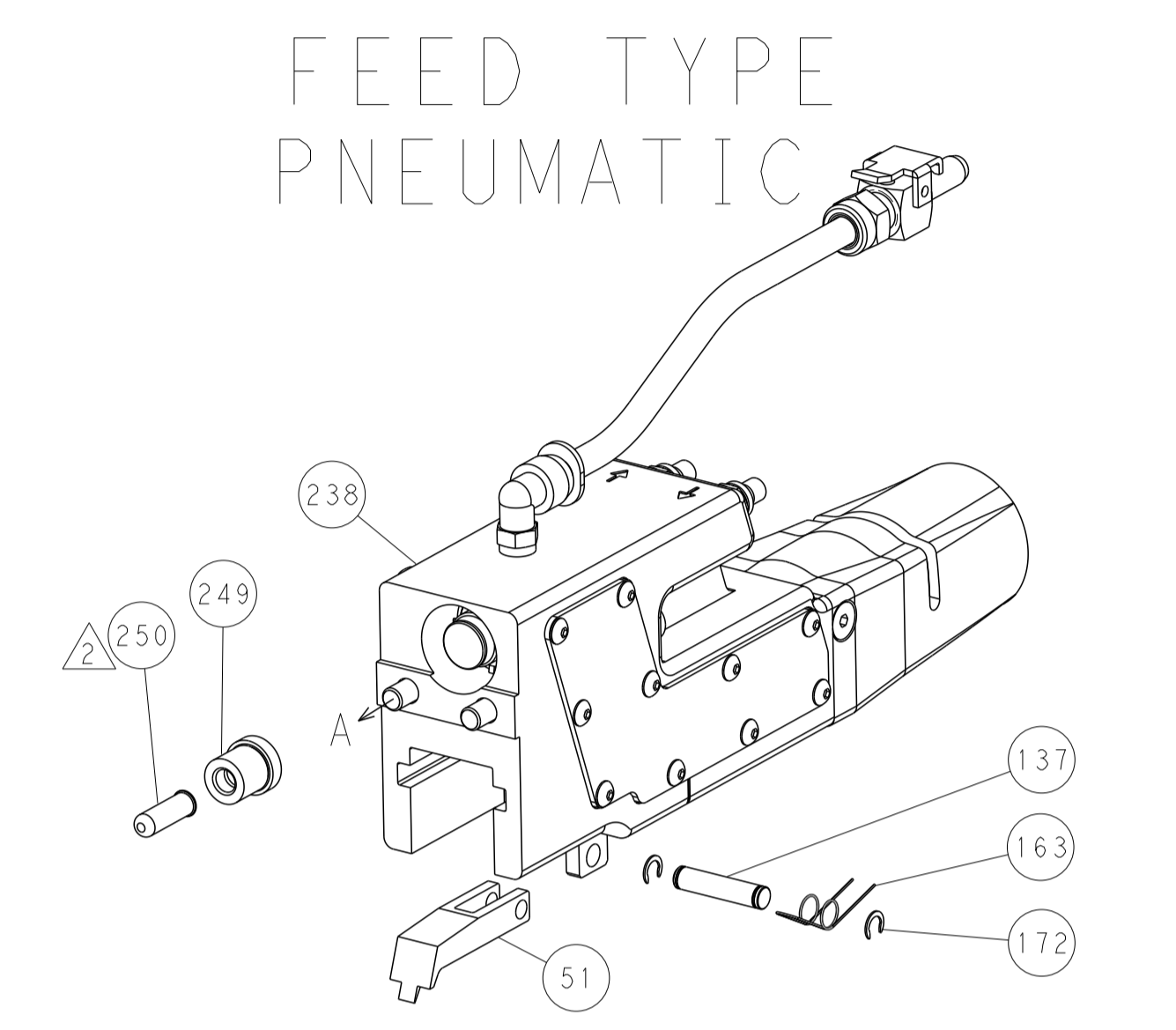
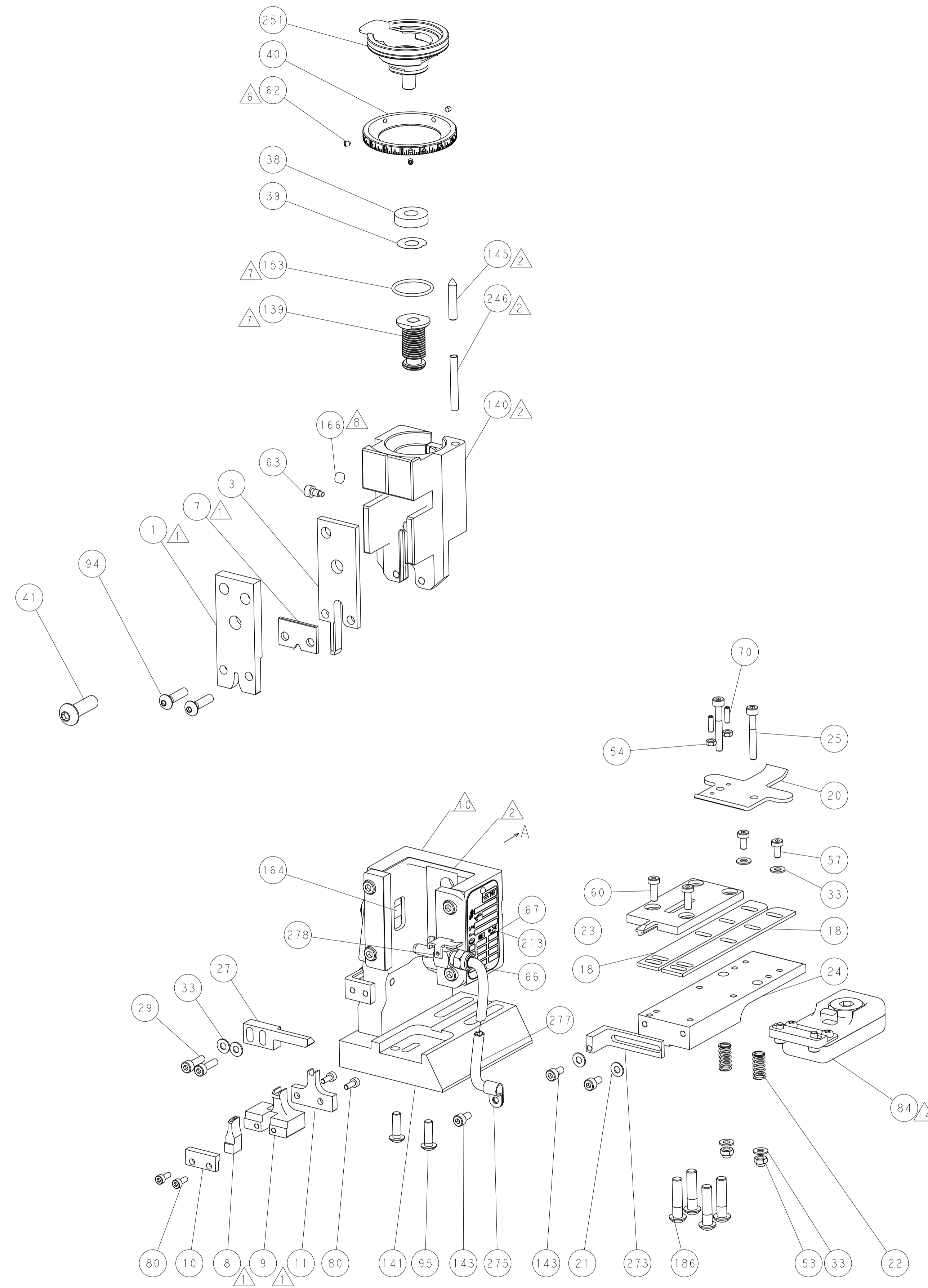
PACIFIC VERSION  
 Shown on sheets 3 of 4 & 4 of 4  
 (Atlantic version shown on sheets 1 of 4 & 2 of 4)

SET UP GAUGE	LOC	DIST	REVISIONS			
2119599-2	A	66	REV	DATE	BY	APPD
			-	SEE SHEET 1	-	-

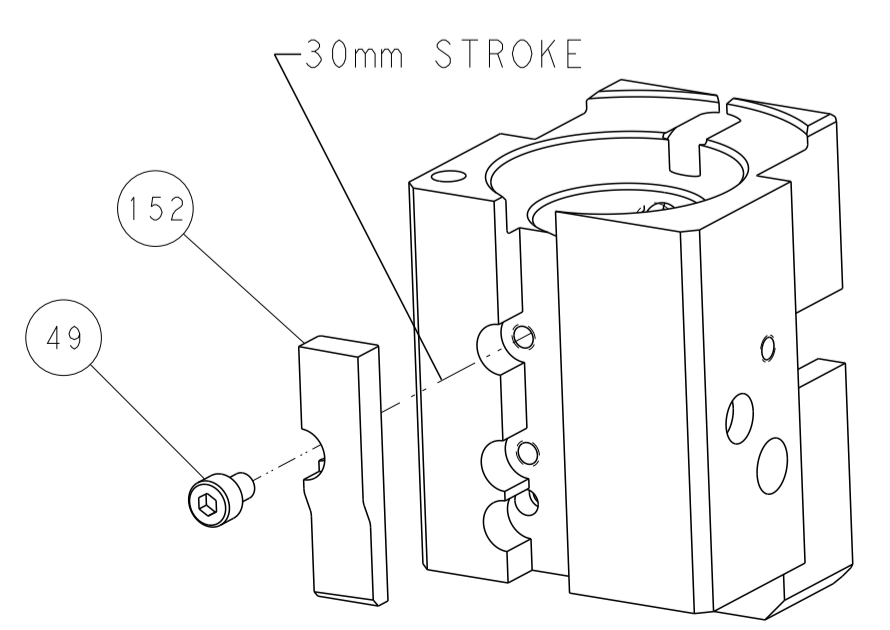
-	1	1	1	23238-1	INSERT, COUPLING	278
-	24	24	24	2030758-3	TUBING, POLYURETHANE	277
-	1	1	1	986220-3	CLAMP, CABLE, BLACK	275
-	1	1	1	2844280-1	MOUNT, AIR BLAST	273
-	1	1	1	2119782-1	FINE ADJUST HEAD ASM, PACIFIC STYLE	251
-	-	-	1	2119640-1	PUSH ROD, AIR FEED	250
-	-	-	1	2079988-1	BUSHING, LCH5-12, MISUMI	249
-	1	1	1	1-22279-3	SPRING, COMPRESSION	246
-	-	2	-	2168400-7	SHCS, LOW HEAD, RoHS, M5 X 10	240
-	-	-	1	2063440-1	AIR FEED MODULE	238
-	-	-	1	2119740-2	TAG, IDENTIFICATION	213
-	4	4	4	2-18024-1	SCR, BTN SKT HD CAP (M6 X 25.0)	186
-	-	-	1	1901697-2	FEED FINGER ASSEMBLY, EF	183
-	-	-	2	21045-3	RING, RETAIN, EXTERN, 3/16 CRESCENT	172
8	-	1	1	994969-1	MAGNET, RARE EARTH HIGH ENERGY	166
-	REF	REF	REF	994970-2	COUNTER, MAGNETIC	164
-	-	-	1	240638-1	SPRING, FEED FINGER	163
7	-	1	1	8-21084-1	O-RING, .801 ID, .070 DIA. MAT.	153
-	-	-	1	2119641-2	FEED CAM, AIR FEED	152
-	1	1	1	2119798-2	DETENT PIN	145
-	3	3	3	1-18023-0	SCR, SKT HD CAP M4 X 8.0	143
-	1	1	1	2-2119655-2	APPLICATOR BASIC ASSEMBLY, EF	141
-	1	1	1	2844275-1	RAM, ASIAN STYLE, END FEED	140
-	1	1	1	2119092-2	BOLT, ADJUSTMENT	139
-	-	-	1	3-23627-7	PIN, RETAIN, GRVD, 3/16 X .854	137
-	-	REF	-	SEE NOTE 4	MEMORY CHIP, PROGRAMMED	135
-	-	-	1	1633743-1	SERVO FEED LATCH ASM	133
-	2	2	2	1-18024-3	SCR, BTN SKT HD CAP (M5 X 16.0)	95
-	2	2	2	1-18024-4	SCR, BTN SKT HD CAP (M5 X 20.0)	94
14	-	1	1	2119955-2	ASSY, LUBRICATOR, END FEED	84
-	4	4	4	2168083-1	SCR, SKT HD CAP, RoHS, M3 X 8.0	80
-	1	1	1	2119956-2	DOCUMENTATION PACKAGE	71
-	2	2	2	2-18032-2	SCR, SET, FLT POINT M3 X 10.0	70
-	1	-	1	2119740-1	TAG, IDENTIFICATION	67
-	2	2	2	2168078-1	SCREW, DRIVE, RH, RoHS, 2 x .188	66
-	1	1	1	2119793-1	LIMITER, ADJUSTMENT BOLT	63
6	-	3	3	992763-5	SCR, SET, SOC, CONE POINT, M3 x 4.0	62
-	2	2	2	2168400-1	SHCS, LOW HEAD, RoHS, M4 X 12	60
-	2	2	2	2168400-4	SHCS, LOW HEAD, RoHS, M4 X 8	57
-	2	2	2	5018030-1	NUT, HEX, REG, RoHS, M3	54
-	2	2	2	986965-8	NUT, LOCK, HEX, TORQUE (M4)	53
-	-	-	1	2119792-9	PAWL, EF, AIR	51
-	-	-	1	18023-9	SCR, SKT HD CAP M4 X 6.0	49
-	1	1	1	2079383-7	SCR, BHSC, RoHS (M8 X 25)	41
-	1	1	1	2119645-1	DISC, NUMBERED FA WIRE ADJUSTMENT	40
-	1	1	1	2119957-1	APPLICATOR SHIM PACK	39
-	1	1	1	1-2119644-2	RAM WASHER, PRECISION	38
-	8	8	8	1-18028-2	WASHER, FLAT, REG M4	33
-	2	2	2	2-2168083-5	SCR, SKT HD CAP, RoHS, M4 X 14	29
-	1	1	1	460276-2	STRIPPER, SPECIAL	27
-	2	2	2	1-2168083-5	SCR, SKT HD CAP, RoHS, M4 X 30	25
-	1	1	1	3-1752371-0	PLATE, STRIP GUIDE	24
14	-	1	1	1-462932-0	PLATE, STRIP COVER	23
-	2	2	2	2-22281-3	SPRING, COMPRESSION	22
-	2	2	2	18027-2	WASHER, FLAT, REG M4	21
-	1	1	1	1803292-1	DRAG	20
-	2	2	2	1901259-4	GUIDE, LOWER STRIP	18
-	1	1	1	459684-3	PLATE GUIDE, RETAINING	11
-	1	1	1	459580-1	PLATE, RETAINING	10
14	-	1	1	2-459583-1	BODY, ANVIL	9
14	-	1	1	459582-4	ANVIL, AMPLIVAR SPLICE	8
14	-	1	1	459581-1	BLADE, SLUG	7
-	-	-	-	-	-	6
-	-	-	-	-	-	5
-	-	-	-	-	-	4
14	1	1	1	459587-1	GUIDE, CRIMPER	3
-	-	-	-	-	-	2
14	1	1	1	459585-1	CRIMPER, BLUNT F	1

DIMENSIONS:		TOLERANCES UNLESS OTHERWISE SPECIFIED:		DWG		NAME	
mm	0 PLC ±	1 PLC ±	2 PLC ±	3 PLC ±	4 PLC ±	5 PLC ±	ANGLES ±
	FINISH						
MATERIAL		WEIGHT		SIZE	CAGE CODE	DRAWING NO	RESTRICTED TO
				A1	00779	2150117	
Customer Accessible Production Drawing				SCALE	1:1	SHEET 3 OF 4	REV B

LOC	DIST	REV	DATE	BY	APPV
A	66				
REVISIONS			DESCRIPTION	DATE	BY
			SEE SHEET 1		



### CAM POSITION



AIR FEED

**PACIFIC VERSION**  
 Shown on sheets 3 of 4 & 4 of 4  
 (Atlantic version shown on sheets 1 of 4 & 2 of 4)

<small>THIS DRAWING IS UNPUBLISHED. RELEASED FOR PUBLICATION 2016. COPYRIGHT 2016 BY TYCO ELECTRONICS CORPORATION. ALL RIGHTS RESERVED.</small>		DWN: B. WEAVER 16FEB2016 CHK: G. BAILEY 16FEB2016 APVD: G. BAILEY 16FEB2016	NAME: Ocean End Feed Applier SIZE: A1 CAGE CODE: 00779 DRAWING NO: C-2150117 SCALE: 1:1	RESTRICTED TO: B
DIMENSIONS: mm TOLERANCES UNLESS OTHERWISE SPECIFIED: 0 PLC ± 1 PLC ± 2 PLC ± 3 PLC ± 4 PLC ± ANGLES ± FINISH	WEIGHT: - SCALE: 1:1	SHEET 4 OF 4 REV B	CUSTOMER ACCESSIBLE PRODUCTION DRAWING	