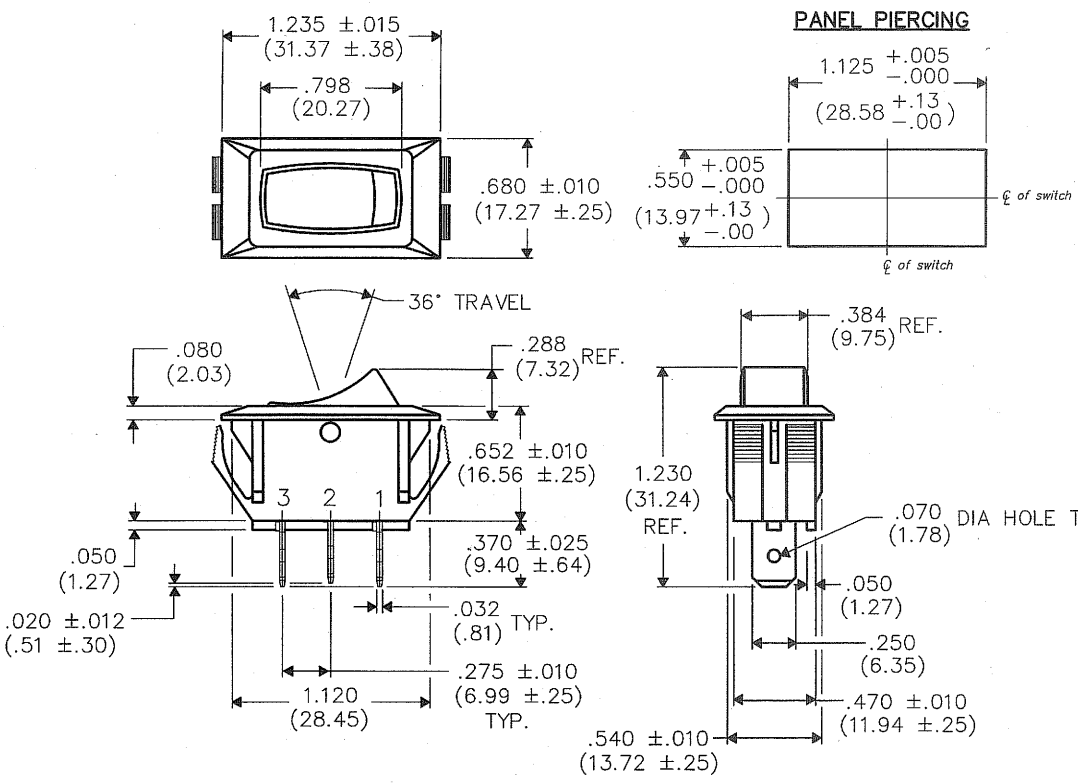


E
 D
 C
 B
 A

DIMENSIONS IN INCHES (MILLIMETERS)
DO NOT SCALE DRAWING

Dwg. No.
GRSH-2012-2600



MATERIAL:
 ROCKER KNOB & HOUSING—
 High Temp. Nylon, Color— Black
 MOVING CONTACT & TERMINALS—
 Copper Alloy/Micro—Finish

RATING: UL/CSA/VDE
 16A. 125V 12A. 250VAC
 3/4 H.P. 125-250VAC
 10A. 14VT 12(6)A. 250V ~ T85°

B-FORMAT 2002	0									
REVISIONS	RELEASED: DGW 2-23-2012 FEB 23 2012									

PDF Made	CW INDUSTRIES Southampton, Pa. 18966		Title: ROCKER SWITCH	
	<small>TOLERANCES UNLESS OTHERWISE SPECIFIED</small>		S.P.D.T.	
	2 Place Decimal ±.010	METRIC	NO POLAR., NO BARR.	
	3 Place Decimal ±.005	1 Place Dec. ±.25mm	Division: SWITCH	
Angles ±1°		2 Place Dec. ±.13mm	Dwg. No. GRSH-2012-2600	
Made for: CW IND.		Drawn by: DGW 2-23-2012		
Checked by: <i>G. Guld 2-24-12</i>		Approval: <i>G. Guld 2-24-12</i>		

MASTER