

| MATERIAL NUMBER | # OF COLUMNS | # OF DIFF PAIR | DIM 'A' MAX | DIM 'B' | PTH $\phi$ |
|-----------------|--------------|----------------|-------------|---------|------------|
| 76500-#8**      | 8            | 32             | 22.80       | 13.30   | 0.46±0.05  |
| 76500-#1*       | 10           | 40             | 26.60       | 17.10   | 0.46±0.05  |
| 76500-#6**      | 16           | 64             | 38.00       | 28.50   | 0.46±0.05  |
| 76500-#8**      | 8            | 32             | 22.80       | 13.30   | 0.39±0.05  |
| 76500-#1*       | 10           | 40             | 26.60       | 17.10   | 0.39±0.05  |
| 76500-#6**      | 16           | 64             | 38.00       | 28.50   | 0.39±0.05  |

76500-\*\*\*

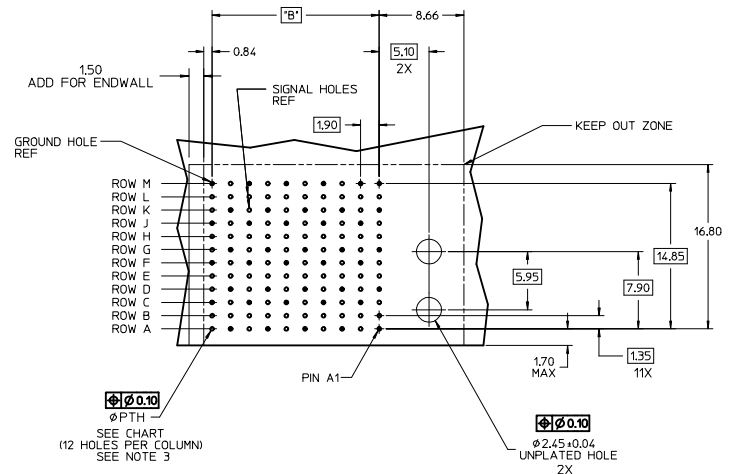
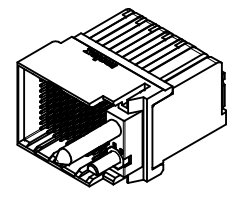
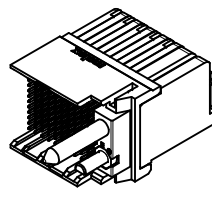
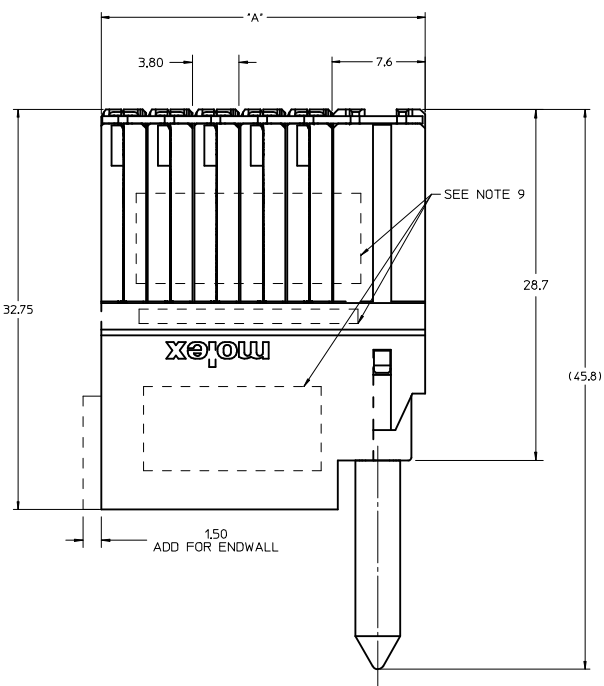
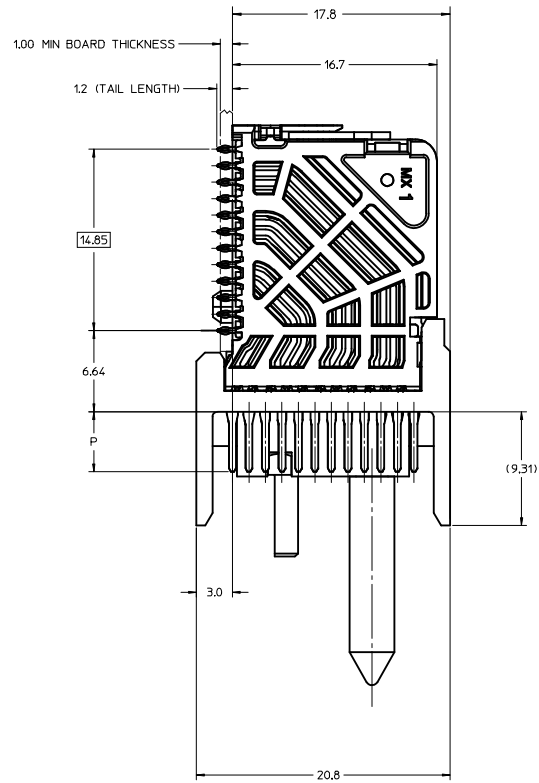
MODULE TYPE  
 5 = RIGHT GUIDED, LEAD-FREE  
 9 = RIGHT GUIDED, LEAD-FREE W/ ENDWALL

# OF COLUMNS  
 1 = 10 COLUMNS  
 6 = 16 COLUMNS  
 8 = 8 COLUMNS

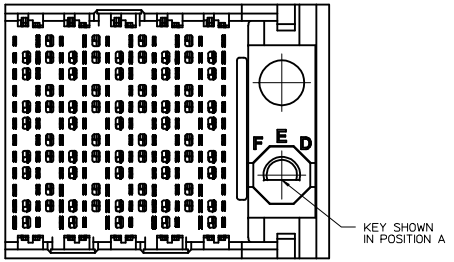
PIN LENGTH (P)  
 4 = 4.90 (0.46 PTH)  
 5 = 5.50 (0.46 PTH)  
 7 = 4.90 (0.39 PTH)  
 8 = 5.50 (0.39 PTH)

KEY ORIENTATION  
 0 = NO KEY  
 1 = A    5 = E  
 2 = B    6 = F  
 3 = C    7 = G  
 4 = D    8 = H

- NOTES:
- MATERIALS: HOUSING - LIQUID CRYSTAL POLYMER (LCP), GLASS-FILLED, UL94V-0  
TERMINALS - HIGH PERFORMANCE COPPER ALLOY
  - FINISH: 304N SELECTIVE GOLD IN CONTACT AREA, SELECTIVE TIN ON PCB TAILS, NICKEL OVERALL.
  - REFER TO MOLEX PRODUCT SPECIFICATION PS-76060-999 FOR PERFORMANCE SPECIFICATIONS AND ADDITIONAL PCB INFORMATION.
  - EACH SIGNAL WAFER CONTAINS 2 COLUMNS OF TERMINALS.
  - PRODUCT IS PACKAGED PER PK-70873-041.
  - THIS PART CONFORMS TO CLASS B REQUIREMENTS OF COSMETIC SPEC PS-45499-002.7. REFER TO MOLEX SALES DRAWING SD-76160-002 FOR THE MATING RECEPTACLES.
  - REFER TO MOLEX PCB ROUTING GUIDE AS-76060-990 FOR ANTIPAD AND ROUTING RECOMMENDATIONS.
  - WHEN USING MOLEX SUPPLIED #2-32 SCREW 73726-0000 (9.50mm ±0.38 THREADABLE SCREW LENGTH), THE MAXIMUM BOARD THICKNESS IS 4.4mm.
  - GUIDE RIGHT RAM MATES WITH A GUIDE LEFT DAUGHTERCARD.
  - MARKING: LOCATED APPROXIMATELY AS SHOWN. PART NUMBER AND DATE CODE.



RAM HOLE PATTERN (CONNECTOR SIDE)

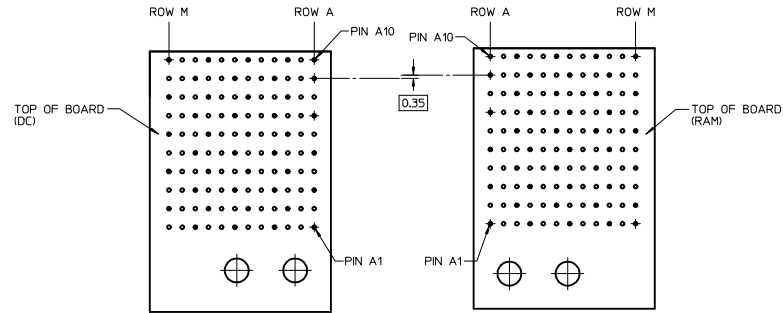
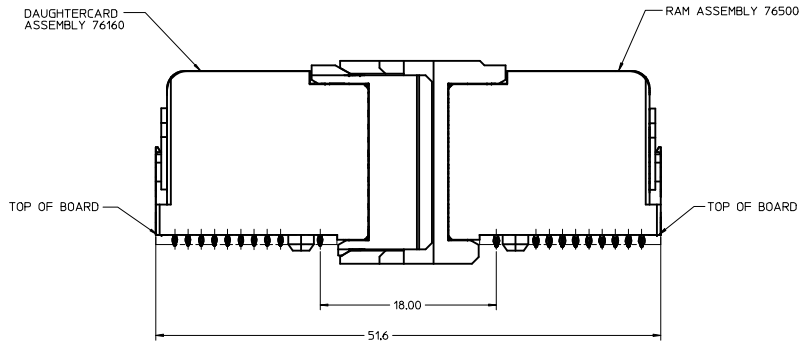


|   |   |   |   |   |                            |                               |                        |
|---|---|---|---|---|----------------------------|-------------------------------|------------------------|
| <b>ADD LASER MARK INFO</b><br>EC NO: UCP2016-3973<br>DRAWN BY: DRWNSDVARARA<br>CHKD: ELO<br>APPR: ELO<br>DATE: 2015/07/29<br>2016/02/22<br>2016/04/20 | <b>QUALITY SYMBOLS</b><br>∇=0<br>∇=0<br>∇=0 | <b>GENERAL TOLERANCES (UNLESS SPECIFIED)</b>  |   | <b>DIMENSION STYLE</b><br>MM ONLY   | <b>SCALE</b><br>5:1        | <b>DESIGN UNITS</b><br>METRIC | THIRD ANGLE PROJECTION |
|   |   | 4 PLACES ±--- +--- INCH<br>3 PLACES ±--- +---<br>2 PLACES ±0.13 +---<br>1 PLACE ±0.25 +---<br>0 PLACE ±--- +---               | DRAWN BY: JOUILLES<br>CHECKED BY: JLAURX<br>APPROVED BY: JLAURX<br>DATE: 2008/12/10<br>DATE: 2008/12/11<br>DATE: 2008/12/12 | <b>TITLE</b><br>IMPACT 4 PAIR RAM<br>GUIDE RIGHT<br>SIGNAL MODULE SALES DWG | <b>MOLEX</b>               |                               |                        |
|   |   | ANGULAR ±1/2°<br>DRAFT WHERE APPLICABLE<br>MUST REMAIN WITHIN DIMENSIONS  | <b>MATERIAL NO.</b><br>SEE TABLE  | <b>DOCUMENT NO.</b><br>SD-76500-004   | <b>SHEET NO.</b><br>1 OF 2 |                               |                        |
|   |   | THIS DRAWING CONTAINS INFORMATION THAT IS PROPRIETARY TO MOLEX INCORPORATED AND SHOULD NOT BE USED WITHOUT WRITTEN PERMISSION |   |   |                            |                               |                        |

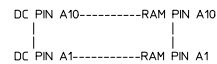
20 19 18 17 16 15 14 13 12 11 10 9 8 7 6 5 4 3 2 1

M  
L  
K  
J  
I  
H  
G  
F  
E  
D  
C  
B  
A

COPLANAR APPLICATION



COPLANAR MATED SIGNAL PATHS



|   |  |                                       |                 |   |              |   |
|---|--|---------------------------------------|-----------------|---|--------------|---|
| <b>SEE SHEET 1</b><br>ELEC NO. UCF2016-3973<br>DRAWN: VARVARA<br>CHKD: TELO<br>APPR: TELO<br>DATE: 2015/07/29<br>DATE: 2016/02/22<br>DATE: 2016/04/20 | QUALITY SYMBOLS                                      | GENERAL TOLERANCES (UNLESS SPECIFIED) | DIMENSION STYLE | SCALE   | DESIGN UNITS | THIRD ANGLE PROJECTION  |
|   | ▽=0  | mm INCH                               | MM ONLY         | 4:1   | METRIC       | ☉   |
|   | ▽=0  | 4 PLACES ± ---                        | DRAWN BY        | DATE  | TITLE        | IMPACT 4 PAIR RAM<br>GUIDE RIGHT<br>SIGNAL MODULE SALES DWG<br><b>molex</b> |
|   | ▽=0  | 3 PLACES ± ---                        | JOUILES         | 2008/12/10  |              |   |
|   | 2 PLACES ± 0.13                                      | CHECKED BY                            | DATE            |   |              |   |
|   | 1 PLACE ± 0.25                                       | JLAURX                                | 2008/12/11      |   |              |   |
|   | 0 PLACE ± ---  | APPROVED BY                           | DATE            |   |              |   |
|   |  | JLAURX                                | 2008/12/12      |   |              |   |
|   | ANGULAR ±1/2°  | MATERIAL NO.                          | SEE TABLE       | DOCUMENT NO.  | SD-76500-004 | SHEET NO. 2 OF 2  |
|   | DRAFT WHERE APPLICABLE MUST REMAIN WITHIN DIMENSIONS | SIZE                                  | D               | THIS DRAWING CONTAINS INFORMATION THAT IS PROPRIETARY TO MOLEX INCORPORATED AND SHOULD NOT BE USED WITHOUT WRITTEN PERMISSION |              |   |

19 18 17 16 15 14 13 12 11 10 9 8 7 6 5 4 3 2 1