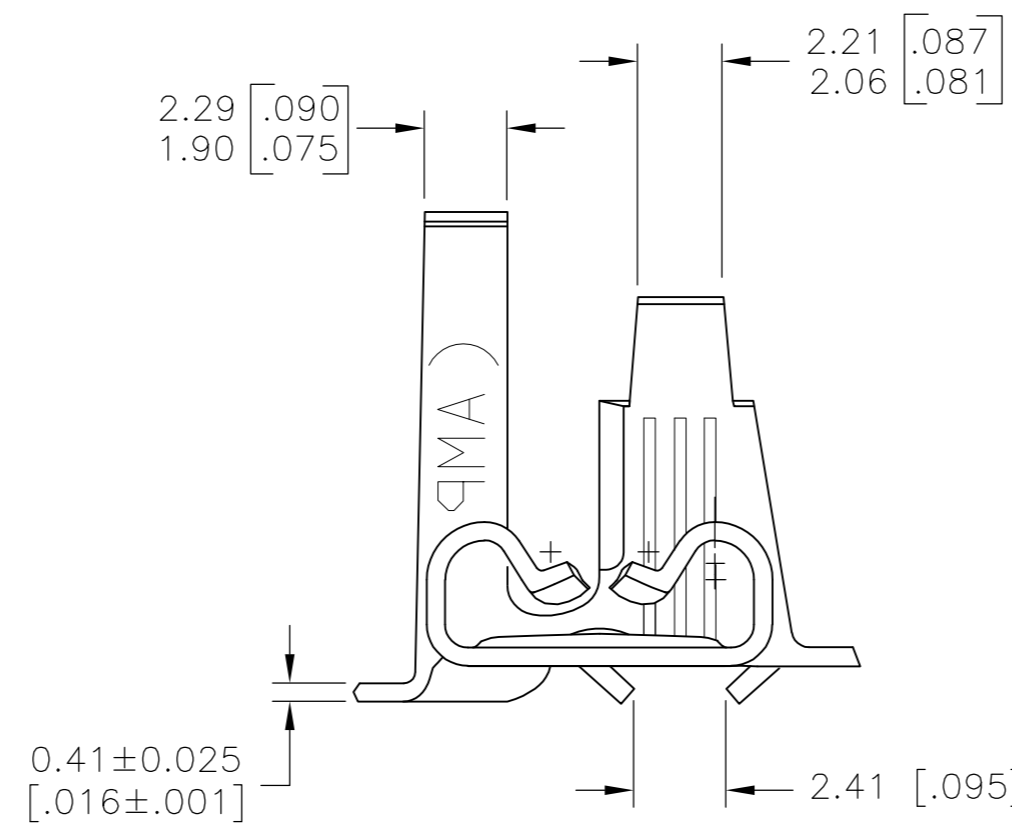
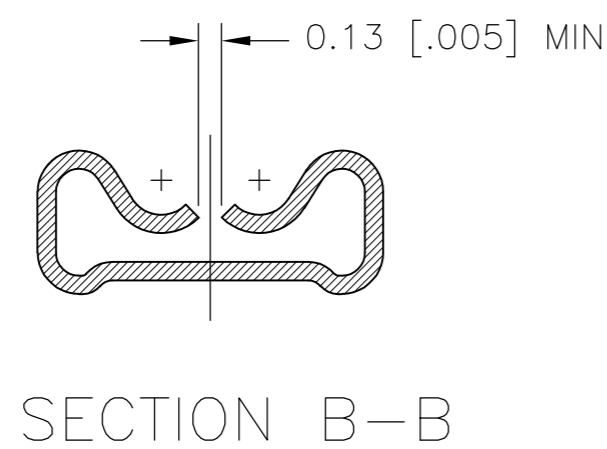
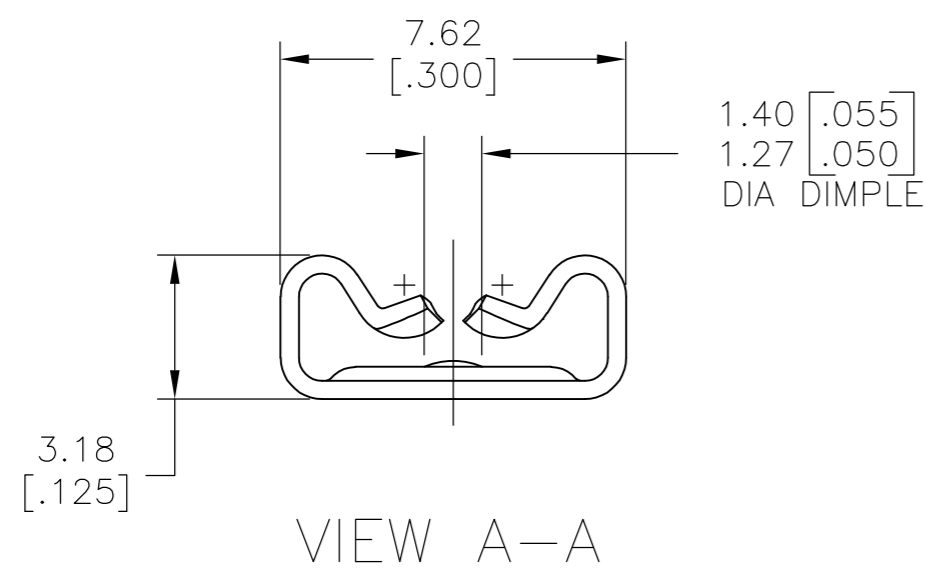
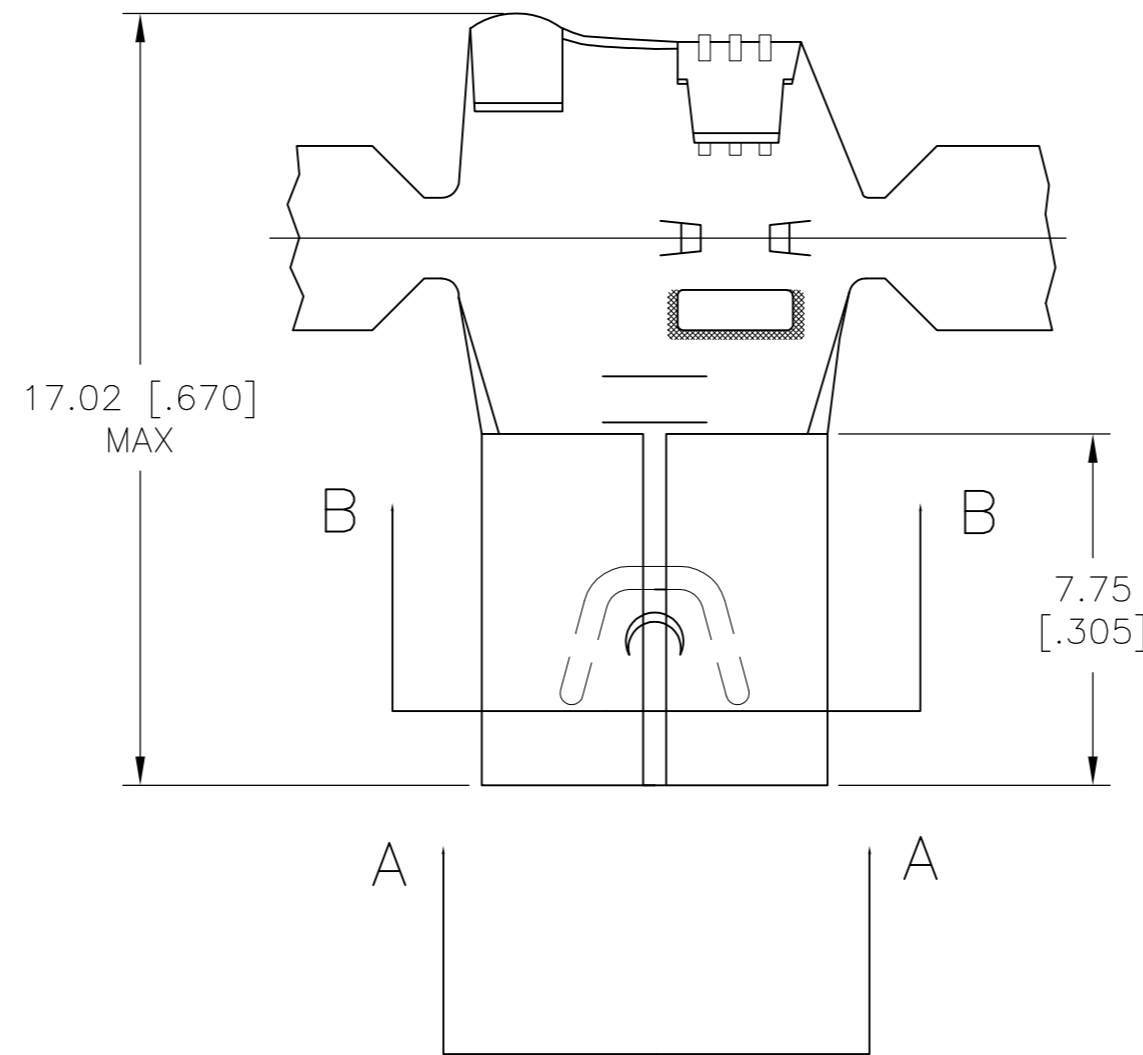


THIS DRAWING IS UNPUBLISHED. RELEASED FOR PUBLICATION  
 © COPYRIGHT BY TYCO ELECTRONICS CORPORATION. ALL INTERNATIONAL RIGHTS RESERVED.

LOC	DIST	REVISIONS			
P	LTR	DESCRIPTION	DATE	DWN	APVD
AF	50				
	A2	REVISED PER ECR-09-006369	20MAR09	HMR	PD

- 1 CONTINUOUS STRIP ON REELS
- 2 WIRE SIZE: SINGLE 18-12, 2-18's OR 1-18/1-16
- 3 INSULATION RANGE IS 2.29-5.33 [.110-.210] DIA
- 4 MATING TAB THK IS 0.81±0.025 [.032±.001]
- 5 0.00381 [.000150] MIN NICKEL PLATE
- 6 12 AWG HAS NOT BEEN SUBMITTED TO UL FOR APPROVALS.



1742543-1  
PART NO

THIS DRAWING IS A CONTROLLED DOCUMENT.		DWN jr ruth 29JAN07	Tyco Electronics Corporation Harrisburg, PA 17105-3608	
DIMENSIONS: mm [INCHES]		CHK P DESANTIS 26JAN07	NAME RECEPTACLE, FASTON, FLAG, 6.35 [.250] SERIES	
TOLERANCES UNLESS OTHERWISE SPECIFIED:		APVD P DESANTIS 26JAN07	SIZE A2	CAGE CODE 00779
0 PLC ± -		PRODUCT SPEC	DRAWING NO 1742543	RESTRICTED TO
1 PLC ± -		APPLICATION SPEC	SCALE 6:1	SHEET 1 of 1
2 PLC ± -		WEIGHT	REV A2	
3 PLC ± 0.25 [.010]		CUSTOMER DRAWING		
4 PLC ± -				
ANGLES ± 5°				
MATERIAL CR STEEL	FINISH 5			

1742543